



TRH : TUBE READY HIGH BAY

DESCRIPTION

Tube Ready High Bay fixtures are designed for maximum flexibility, pre-wired for double ended line voltage LED tubes (Type B) and external driver double ended LED tubes (Type C). These fixtures, coupled with our LED retrofit tubes, provide the end-user with the ability to address their specific needs with maximum ROI: low costs, ease of maintenance, energy savings, and low installation times.

FEATURES

- Pre-wired for bypass/line voltage double-ended LED T8 or T5 tubes
- White finish
- Compatible with any suitable T8 or T5 LED tubes

LISTINGS

- UL Listed for Dry and Damp Locations

CONSTRUCTION

- Galvanized sheet steel body
- Post-fabrication powder coating for improved corrosion resistance
- V-hooks and chain included

WARRANTY

- 5 year limited warranty; see eiko.com for warranty details

project name	type
catalog number	
comments	voltage
approved by	date



4 x 4' T8



6 x 4' T8



8 x 4' T8



4 x 4' T5

APPLICATIONS

- Highbay
- Warehouse
- Lowbay



ORDERING INFORMATION

EXAMPLE: TRH4-44T8DE

Model	Size	Lamp Type
TRH4 - Tube Ready High Bay, 4'	44 - Holds 4x 4' Line Voltage Double Ended T8 Lamps 64 - Holds 6x 4' Line Voltage Double Ended T8 Lamps 84 - Holds 8x 4' Line Voltage Double Ended T8 Lamps	T8DE - Line Voltage Double Ended T8
	44 - Holds 4x 4' Line Voltage Double Ended T5 Lamps	T5DE - Line Voltage Double Ended T5

PERFORMANCE SUMMARY

FOR T8 LAMPS

Order Code	Item #	Length	# of Lamps	Max Wattage per Lamp
11212	TRH4-44T8DE	4'	4	17W
11213	TRH4-64T8DE	4'	6	17W
11214	TRH4-84T8DE	4'	8	17W

FOR T5 LAMPS

Order Code	Item #	Length	# of Lamps	Max Wattage per Lamp
11215	TRH4-44T5DE	4'	4	25W

ACCESSORIES

Order Code	Item #	Description
11216	TRHWG4	Wire Guard 4 Lamp
11217	TRHWG6	Wire Guard 6 Lamp
11218	TRHWG8	Wire Guard 8 Lamp
11268	TRHWG4T5	Wire Guard 4 Lamp T5

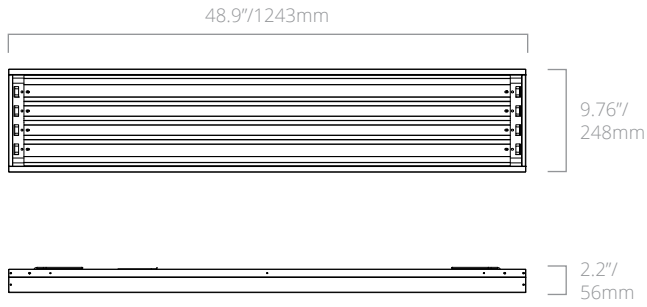
ACCESSORIES: COMPATIBLE T8 LAMPS

Order Code	Item #	Order Code	Item #	Order Code	Item #
09598	LED9WT8/24/840-DBL-G7D	10878	LED10.5WT8/48/850-DBL-G8D	09603	LED14WT8/48/850-DBL-G7D
09599	LED9WT8/24/850-DBL-G7D	10465	LED18.5WT8/48/840-G8D	09604	LED17WT8/48/835-DBL-G7D
10101	LED12WT8/48/835-G8DM	10466	LED18.5WT8/48/850-G8D	09605	LED17WT8/48/840-DBL-G7D
10102	LED12WT8/48/840-G8DM	10437	LED12WT8/48/835-DBL-G8D	09606	LED17WT8/48/850-DBL-G7D
10103	LED12WT8/48/850-G8DM	10435	LED12WT8/48/840-DBL-G8D	11230	LED10.5WT8/48/835-DBL-NPC-G9D
10876	LED10.5WT8/48/835-DBL-G8D	10438	LED12WT8/48/850-DBL-G8D	11231	LED10.5WT8/48/840-DBL-NPC-G9D
10877	LED10.5WT8/48/840-DBL-G8D	10436	LED15WT8/48/840-DBL-G8D	11232	LED10.5WT8/48/850-DBL-NPC-G9D
10878	LED10.5WT8/48/850-DBL-G8D	10470	LED15WT8/48/850-DBL-G8D	11233	LED15WT8/48/835-DBL-NPC-G9D
10876	LED10.5WT8/48/835-DBL-G8D	09594	LED14WT8/48/835-DBL-G7D	11234	LED15WT8/48/840-DBL-NPC-G9D
10877	LED10.5WT8/48/840-DBL-G8D	09595	LED14WT8/48/840-DBL-G7D	11235	LED15WT8/48/850-DBL-NPC-G9D

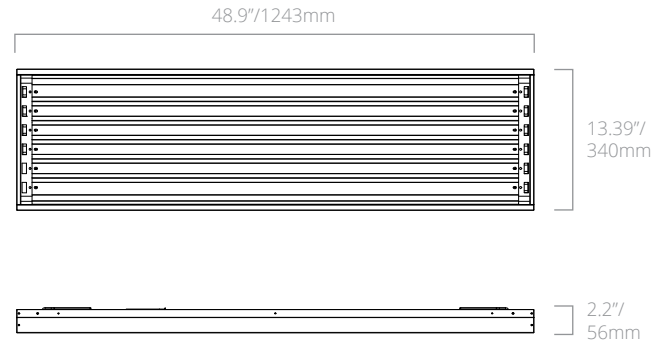
COMPATIBLE T5 LAMPS

Order Code	Item #	Order Code	Item #
09949	LED25WT5HO/46/835-G8D	11045	LED24WT5HO/46/835-G9D
10047	LED25WT5HO/46/835-G8D-347V	11046	LED24WT5HO/46/840-G9D
09947	LED25WT5HO/46/840-G8D	11047	LED24WT5HO/46/850-G9D
10048	LED25WT5HO/46/840-G8D-347V		
09948	LED25WT5HO/46/850-G8D		
10049	LED25WT5HO/46/850-G8D-347V		

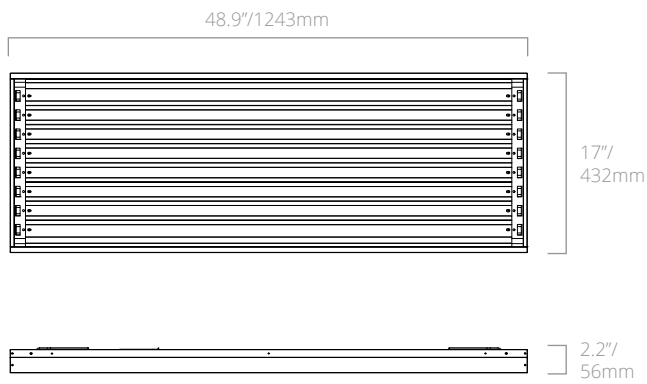
DIMENSIONS



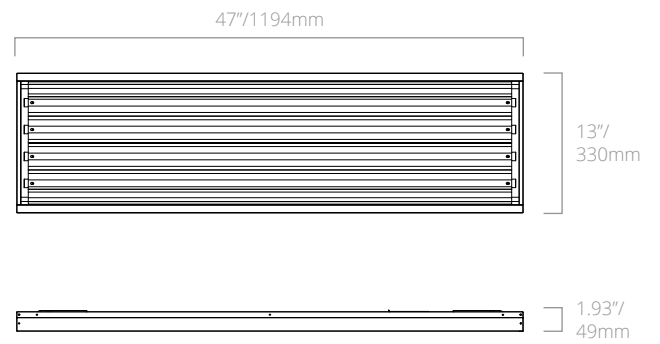
TRH4-44T8DE



TRH4-64T8DE



TRH4-84T8DE



TRH4-44T5DE