



TWP1 Traditional Wall Pack

HIGHLIGHTS

- Traditional style matches the appearance of legacy products while also covering the same footprint
- 4 - 1/2" knockouts makes for versatile mounting
- Wall mount with or without junction box
- Integrated photocell for dusk to dawn operation
- Hinged removable door housing makes installation easier
- Glass lens
- PowerSet feature allows for multiple lumen steps out of the box
- FieldCCeT features provides multiple color temperature settings in one fixture

CERTIFICATIONS

- UL Listed for US & Canada
- RoHS compliant
- FCC compliant
- ICES-005 compliant
- IP65 Rated
- IK Pending
- DesignLights Consortium® Premium Qualified - meets the requirements for the highest DLC qualification for efficacy and lumen maintenance - **Pending**

PERFORMANCE

- High efficacy, up to 135 lm/W
- Available in PowerSet model: power-selectable 45/35/25W; 80/70/60W; 120/105/90W
- Available in single CCT models: 4000 or 5000K or FieldCCeT models: field-selectable CCT 30/40/5000K
- CRI: >80
- Rated Life: >54,000 hours

ELECTRICAL

- Input voltage: 120-277V, 120-347V, 277-480V
- 0-10V dimming, dim-to-off
- Surge protection: 4kV
- Power factor: >0.9
- THD: <20%

THERMAL

- -40°F to 122°F (-40°C to 50°C) ambient operating temperature
- -13°F to 122°F (-25°C to 50°C) ambient operating temperature with photocell

CONSTRUCTION

- Bronze powder coated, die-cast aluminum housing
- Glass lens

DIMMING

- For dimming compatibility visit eiko.com

WARRANTY

- 5-Year limited warranty available online. Contact your EiKO sales rep for additional details.

KEY FEATURES

TRADITIONAL STYLE

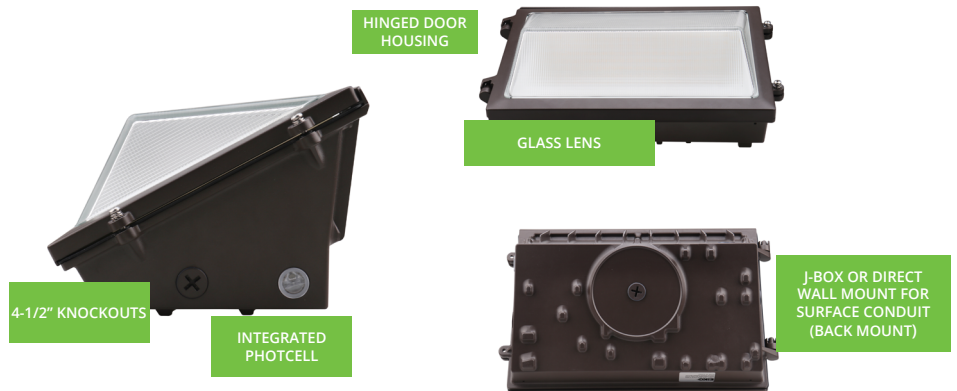
Matches the appearance of legacy products

INTEGRATED PHOTOCELL

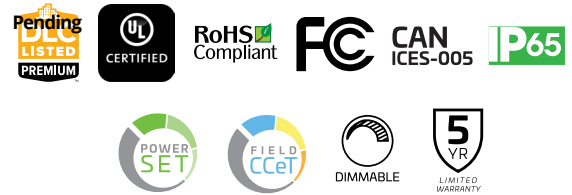
Manage security and safety with the integrated photocell; it can easily be disabled in the field (Photocell not included on 277-480V model)

INSTALLATION MADE EASY

4 - 1/2" knockouts, hinged door housing, can be mounted with or without junction box



project name	type
catalog number	voltage
approved by	date



APPLICATIONS

- Industrial Parks
- Loading Docks
- Utility Sheds
- Entryways
- Walkways
- Storage Areas
- Security
- Perimeter Lighting

MODEL CONFIGURATOR*

MODEL	WATTS	CCT	VOLTAGE & DIMMING
TWP1: Traditional Wall Pack	PS45: 45/35/25W PS80: 80/70/60W PS120: 120/105/90W	40: 4000K 50: 5000K FCCT: 3000/4000/5000K	U: 120-277V, 0-10V dimming H: 120-347V, 0-10V dimming V: 277-480V, 0-10V dimming

* Not all combinations are possible. Refer to available models section.

MODEL CONFIGURATOR

MODEL	-	WATTAGE	-	CCT	-	VOLTAGE & DIMMING
TWP1	-		-		-	

EXAMPLE PART NUMBER: TWP1-PS45-FCCT-U

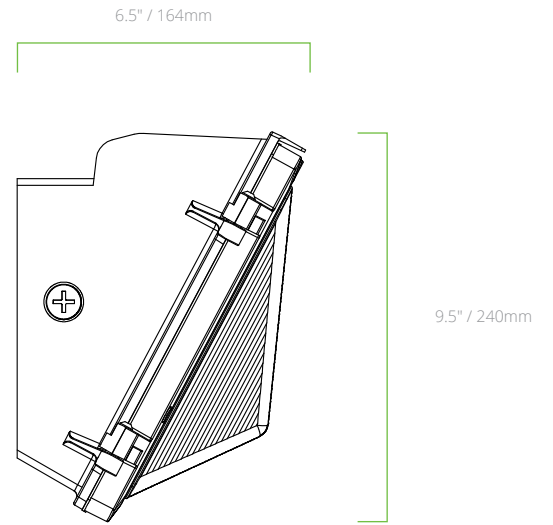
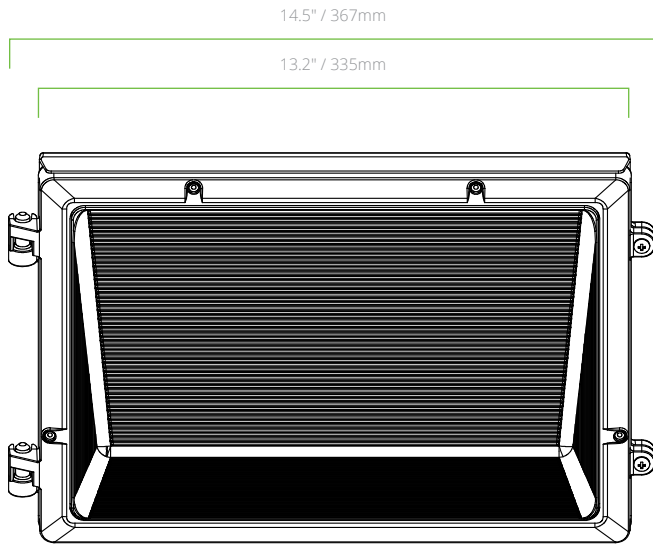
AVAILABLE MODELS

ORDER CODE	ITEM #	WATTS*	CCT**	LUMENS	EFFICACY (lm/W)	VOLTAGE	TRADITIONAL WATTAGE EQUIVALENT	DLC ID #
								PREMIUM
13651	TWP1-PS45-40-U	45/35/25W	4000K	6075/4725/3375 lm	135 lm/W	120-277V	Up to 100W HID	Pending
13653	TWP1-PS45-50-U	45/35/25W	5000K	6075/4725/3375 lm	135 lm/W	120-277V	Up to 100W HID	Pending
13654	TWP1-PS45-FCCT-U	45/35/25W	3000/4000/5000K	6075/4725/3375 lm	135 lm/W	120-277V	Up to 100W HID	Pending
13656	TWP1-PS45-FCCT-H	45/35/25W	3000/4000/5000K	6075/4725/3375 lm	135 lm/W	120-347V	Up to 100W HID	Pending
13667	TWP1-PS45-FCCT-V	45/35/25W	3000/4000/5000K	6075/4725/3375 lm	135 lm/W	277-480V	Up to 100W HID	Pending
13657	TWP1-PS80-40-U	80/70/60W	4000K	10,800/9450/ 8100 lm	135 lm/W	120-277V	Up to 250W HID	Pending
13659	TWP1-PS80-50-U	80/70/60W	5000K	10,800/9450/ 8100 lm	135 lm/W	120-277V	Up to 250W HID	Pending
13658	TWP1-PS80-40-H	80/70/60W	5000K	10,800/9450/ 8100 lm	135 lm/W	120-347V	Up to 250W HID	Pending
13660	TWP1-PS80-FCCT-U	80/70/60W	3000/4000/5000K	10,800/9450/ 8100 lm	135 lm/W	120-277V	Up to 250W HID	Pending
13662	TWP1-PS80-FCCT-H	80/70/60W	3000/4000/5000K	10,800/9450/ 8100 lm	135 lm/W	120-347V	Up to 250W HID	Pending
13661	TWP1-PS80-FCCT-V	80/70/60W	3000/4000/5000K	10,800/9450/ 8100 lm	135 lm/W	277-480V	Up to 250W HID	Pending
13663	TWP1-PS120-40-U	120/105/90W	4000K	16,200/14,175/ 12,150 lm	135 lm/W	120-277V	Up to 400W HID	Pending
13665	TWP1-PS120-50-U	120/105/90W	5000K	16,200/14,175/ 12,150 lm	135 lm/W	120-277V	Up to 400W HID	Pending
13666	TWP1-PS120-FCCT-U	120/105/90W	3000/4000/5000K	16,200/14,175/ 12,150 lm	135 lm/W	120-277V	Up to 400W HID	Pending
13668	TWP1-PS120-FCCT-H	120/105/90W	3000/4000/5000K	16,200/14,175/ 12,150 lm	135 lm/W	120-347V	Up to 400W HID	Pending
13667	TWP1-PS120-FCCT-V	120/105/90W	3000/4000/5000K	16,200/14,175/ 12,150 lm	135 lm/W	277-480V	Up to 400W HID	Pending

* All power-selectable fixtures ship at the highest wattage setting

** All CCT-selectable fixtures ship at 5000K

PRODUCT DIMENSIONS



TWPI-ALL MODELS

7.8 lbs/3.5 kg