



VOL : VOLUMETRIC LED TROFFER

DESCRIPTION

- Cost-effective architectural recessed LED luminaire
- Direct/indirect illumination provides visual comfort with minimal glare
- Clean line styling complements today's modern office decor
- One for one alternative LED solution to fluorescent troffers
- Up to 50% energy savings over fluorescent troffers
- 0-10V dimmable standard
- 125-130 lumens per watt
- Available in 2'x2' and 2'x4'

LISTINGS

- UL Listed for dry/damp locations
- IC Rated for insulation contact
- DesignLights Consortium® Premium Qualified - meets the requirements for the highest DLC qualification for efficacy and lumen maintenance

LED CHARACTERISTICS

- Rated lifetime L70: 50,000 hours
- 3500K, 4000K, 5000K CCT
- CRI: 80+
- 2'x2': 3200lm (approx.) @ 26W
- 2'x2' (CP): 3250lm (approx.) @26W
- 2'x4': 5900lm (approx.) @ 48W
- 2'x4' (CP): 5796lm (approx.) @ 46W

ELECTRICAL

- Input voltage: 120-277V
- Dimmable power supply (0-10V)
- Power Factor: >.90
- THD: <15%

CONSTRUCTION

- Single lens center basket with swept white sidewall reflector
- Features integral earthquake clips
- -4°F to 104°F (-20°C to 40°C) operating temperature

WARRANTY

- 5 year limited warranty; see eiko.com for warranty details

| | |
|----------------|---------|
| project name | type |
| catalog number | |
| comments | voltage |
| approved by | date |



2x2



2x4

APPLICATIONS

- Conference rooms
- Retail
- Offices
- Hospitality
- Healthcare
- Schools
- Reception areas
- Corridors
- Foyer



ORDERING INFORMATION

EXAMPLE: VOL22-3C-35K-U

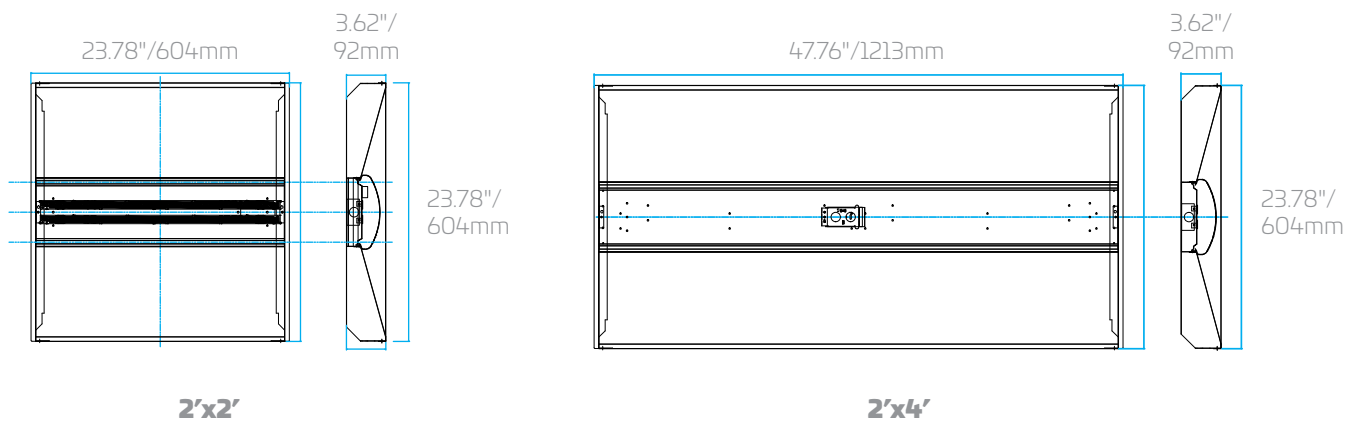
| Model | Size | Package | CCT | Voltage |
|-------------------------------------|--|--|--|---------------------|
| VOL : Volumetric LED Troffer | 22 - 2'x2' 24 - 2'x4' | 3C - 26W; 3,100/3,275 lm 3CP - 26W; 3,250 lm 5C - 48W; 5,620/5,970/6,115 lm 5CP - 46W; 5,796 lm | 35K - 3500K 40K - 4000K 50K - 5000K | U - 120-277V |

PERFORMANCE SUMMARY

| Order Code | Item # | Watts | Lumens | LPW | CCT | CRI | Volts | Fluor. Equiv. | DLC Premium |
|------------|-----------------|-------|--------|-----|-------|-----|----------|------------------|-------------|
| 09469 | VOL22-3C-35K-U | 26W | 3,110 | 120 | 3500K | 80+ | 120-277V | 3x 17WT8, 2U31T8 | ✓ |
| 09470 | VOL22-3C-40K-U | 26W | 3,275 | 126 | 4000K | 80+ | 120-277V | 3x 17WT8, 2U31T8 | ✓ |
| 09491 | VOL22-3C-50K-U | 26W | 3,275 | 126 | 5000K | 80+ | 120-277V | 3x 17WT8, 2U31T8 | ✓ |
| 09471 | VOL24-5C-35K-U | 48W | 5,620 | 117 | 3500K | 80+ | 120-277V | 2x 32T8, 3x 32T8 | ✓ |
| 09472 | VOL24-5C-40K-U | 48W | 5,970 | 124 | 4000K | 80+ | 120-277V | 2x 32T8, 3x 32T8 | ✓ |
| 09492 | VOL24-5C-50K-U | 48W | 6,115 | 127 | 5000K | 80+ | 120-277V | 2x 32T8, 3x 32T8 | ✓ |
| 09706 | VOL22-3CP-35K-U | 26W | 3,250 | 125 | 3500K | 80+ | 120-277V | 3x 17WT8, 2U31T8 | ✓ |
| 09707 | VOL22-3CP-40K-U | 26W | 3,250 | 125 | 4000K | 80+ | 120-277V | 3x 17WT8, 2U31T8 | ✓ |
| 09708 | VOL22-3CP-50K-U | 26W | 3,250 | 125 | 5000K | 80+ | 120-277V | 3x 17WT8, 2U31T8 | ✓ |
| 09709 | VOL24-5CP-35K-U | 46W | 5,796 | 126 | 3500K | 80+ | 120-277V | 2x 32T8, 3x 32T8 | ✓ |
| 09710 | VOL24-5CP-40K-U | 46W | 5,796 | 126 | 4000K | 80+ | 120-277V | 2x 32T8, 3x 32T8 | ✓ |
| 09711 | VOL24-5CP-50K-U | 46W | 5,796 | 126 | 5000K | 80+ | 120-277V | 2x 32T8, 3x 32T8 | ✓ |

✓DesignLights Consortium® Premium Qualified

DIMENSIONS

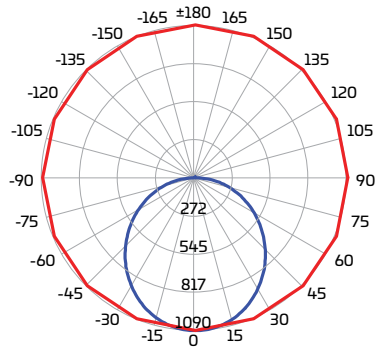


AVAILABLE ACCESSORIES

| Order Code | Item # | Description |
|------------|------------------|--------------------------------|
| 09849 | FHSCP-UNV-5WL | 5W Emergency Battery Backup |
| 09851 | FHSCP-UNV-7.8WL | 7.8W Emergency Battery Backup |
| 09850 | FHSCP-UNV-10.7WL | 10.7W Emergency Battery Backup |
| 09852 | FHSCP-UNV-13.7WL | 13.7W Emergency Battery Backup |
| 09854 | FHSCP-UNV-17WL | 17W Emergency Battery Backup |

VOL22

| ZONAL LUMEN SUMMARY | | |
|---------------------|--------|----------|
| Zone | Lumens | %Fixture |
| 0-30 | 838 | 26.8 |
| 0-40 | 1365 | 43.6 |
| 0-60 | 2403 | 76.7 |
| 0-90 | 3275 | 100.0 |
| 0-180 | 3275 | 100.0 |
| SPACING CRITERIA | | |
| 0-180 | 1.2 | |
| 90-270 | 1.2 | |
| Diagonal | 1.4 | |



VOL24

| ZONAL LUMEN SUMMARY | | |
|---------------------|--------|----------|
| Zone | Lumens | %Fixture |
| 0-30 | 1440 | 25.8 |
| 0-40 | 2356 | 42.2 |
| 0-60 | 4201 | 75.3 |
| 0-90 | 5970 | 100.0 |
| 0-180 | 5970 | 100.0 |
| SPACING CRITERIA | | |
| 0-180 | 1.2 | |
| 90-270 | 1.2 | |
| Diagonal | 1.4 | |

