



WPA1 Wall Pack Adjustable

HIGHLIGHTS

- Adjustable from 0 to 90°
- Integrated photocell that can easily be disabled in the field
- 4 - 1/2" knockouts
- PowerSet allows for multiple "set and forget" lumen stops in each fixture
- FieldCCEt allows for multiple "set and forget" CCT setpoints in each fixture

CERTIFICATIONS

- UL listed for US & Canada
- RoHS Compliant
- FCC Compliant
- ICES-005 Compliant
- IP65
- IK08 Impact Rating
- DesignLights Consortium® Premium Qualified - meets the requirements for the highest DLC qualification for efficacy and lumen maintenance- **Pending**

PERFORMANCE

- High efficacy, up to 144 lm/W
- Available in PowerSet models: power-selectable 30/20/12W; 80/65/50W
- Available in FieldCCEt models: field-selectable CCT 30/40/5000K
- CRI: >80
- Rated Life L70: >54,000 hours

ELECTRICAL

- Input voltage: 120-277V & 120-347V
- 0-10 V dimming, dim-to-off
- Surge protection: 6kV
- Power Factor: >0.9
- THD: <20%

THERMAL

- -40°F to 122°F (-40°C to 50°C) ambient operating temperature
- -13°F to 122°F (-25°C to 50°C) ambient operating temperature with photocell

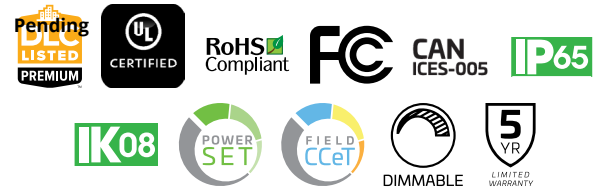
CONSTRUCTION

- Bronze powder coated, die-cast aluminum housing
- Impact resistant polycarbonate lens
- IK08 impact rating

WARRANTY

- 5-Year limited warranty available [online](#) Contact your EiKO sales rep for additional details.

project name	type
catalog number	voltage
approved by	date



APPLICATIONS

- Warehouses
- Manufacturing Plants
- Distribution Centers
- Big Box Retail Stores
- Service Repair Centers
- Storage facilities
- Security
- Walkways

KEY FEATURES

SELECTABLE CCT AND WATTAGE

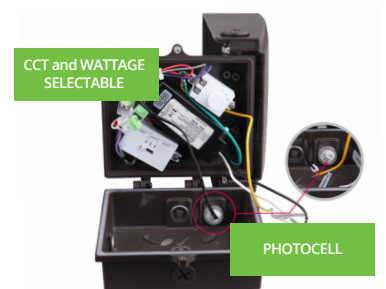
- Choose your CCT and wattage upon installation; great for SKU reduction and job site flexibility

CUSTOMIZATION

- Easily adjust the fixture from 0-90° and choose your mounting via the 4 - 1/2" knockouts

INTEGRATED PHOTOCELL

- Manage security and safety with the integrated photocell; it can easily be disabled in the field



MODEL CONFIGURATOR *

MODEL	POWER	CCT	VOLTAGE & DIMMING
WPA1: Wall Pack Adjustable	PS30: 30/20/12W PS80: 80/65/50W	FCCT: 3000/4000/5000K	U: 120-277V, 0-10V dimming H: 120-347V, 0-10V dimming

*Not all model combinations are available. See item list on following page for possible combinations

MODEL CONFIGURATOR

MODEL	-	POWER	-	CCT	-	VOLTS & DIMMING
WPA1	-		-		-	

EXAMPLE PART NUMBER: WPA1-PS80-FCCT-H

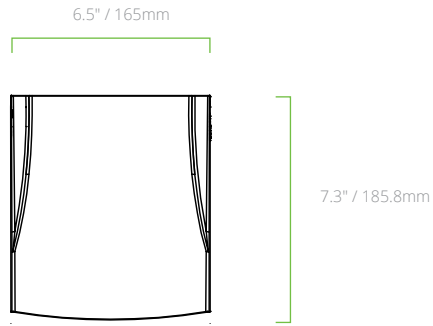
AVAILABLE MODELS

ORDER CODE	ITEM #	WATTS*	CCT**	LUMENS	EFFICACY (lm/W)	VOLTAGE	TRADITIONAL WATTAGE EQUIVALENT	DLC ID #
								PREMIUM
13925	WPA1-PS30-FCCT-U	30/20/12W	3000/4000/5000K	4230/2820/1692 lm	141 lm/W	120-277V	100W-150W HID	Pending
13926	WPA1-PS30-FCCT-H	30/20/12W	3000/4000/5000K	4140/2760/1656 lm	138 lm/W	120-347V	100W-150W HID	Pending
13928	WPA1-PS80-FCCT-H	80/65/50W	3000/4000/5000K	11,520/9360/7200 lm	144 lm/W	120-347V	Up to 250W HID	Pending
13927	WPA1-PS80-FCCT-U	80/65/50W	3000/4000/5000K	11,440/9295/7150 lm	143 lm/W	120-277V	Up to 250W HID	Pending

* All power-selectable fixtures ship at the highest wattage setting

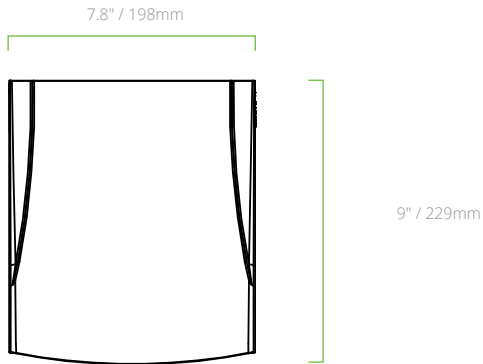
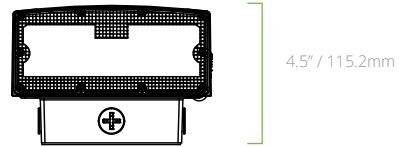
** All CCT-selectable fixtures ship at 5000K

PRODUCT DIMENSIONS



WPA1-PS30

Weight: 3.1 lbs / 1.4 kg



WPA1-PS80

Weight: 4.8 lbs / 2.2 kg

