



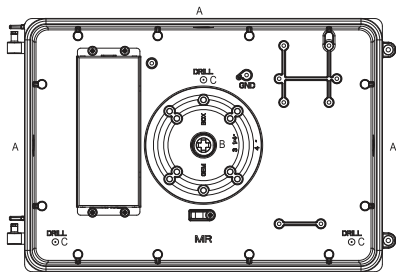
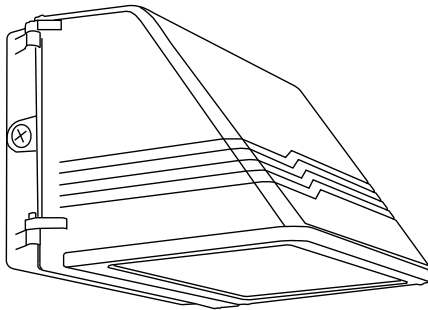
SAFETY INSTRUCTIONS

1. Equipment should be mounted securely in locations and at heights where it will not be readily subjected to tampering by unauthorized personnel. 2. Do not mount near gas or electric heaters. 3. Cap unused wires with enclosed wire nuts or other approved method. 4. Do not use this equipment for anything other than its intended use. 5. The use of accessory equipment not recommended by the manufacturer will void product listing and warranty and may cause an unsafe condition. 6. Use caution when servicing batteries. 7. Any service on this equipment should be performed by qualified personnel only. 8. Make sure wire terminations are secure and leads are properly tucked in appropriate wire channels. **CONSULT A QUALIFIED ELECTRICIAN BEFORE INSTALLING**



Caution:

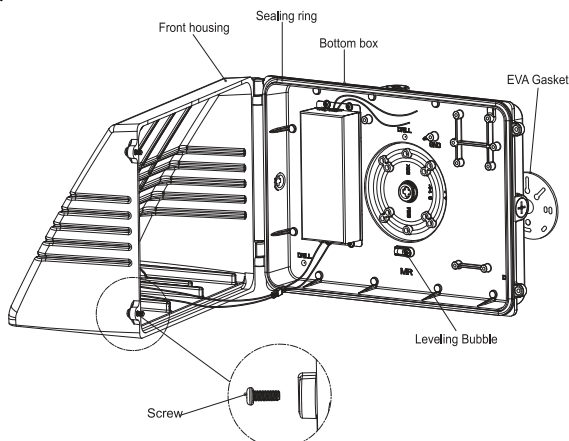
Disconnect AC power before servicing and installation. All electrical connections must be in accordance with NEC/CEC or your local code.



A: 1/2" NPS tapped holes
B: 1/2" dia. knockout
C: 5/16" dia. Screw hole

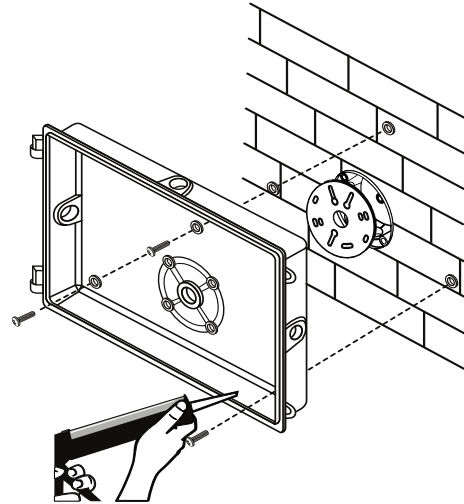
Junction Box Mounting

1. Loosen screws and remove the front lens set carefully from the back plate.



2.

Remove/drill the knockout cap (B) for wiring. Attach the back plate on the wall, use the supplied gaskets for a weather tight seal. Use water proof caulk for covering screws (C).



3.

Connect the wiring.

4.

Replace the lens set on the hinges, make connections and close the lens set then tighten the screws.

Conduit Installation

1.

Loosen screws and remove the front lens set carefully from the back plate.

2.

Remove the knockout cap (A) from where you intend to feed conduit. Attach the back plate on the wall, use the supplied gaskets for a weather tight seal.

3.

Connect the wiring.

4.

Replace the lens set on the hinges, make connections and close the lens set then tighten the screws.

