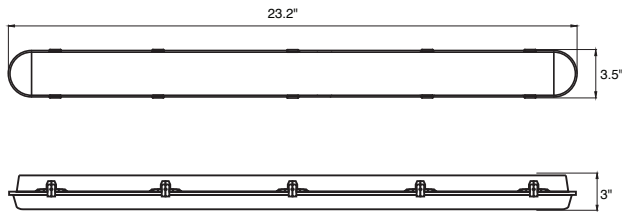


**MULTI-LUMEN  
SELECTOR**

**EASY 3 COLORS  
SELECTOR**  
3500K • 4000K • 5000K



NOMINAL LUMENS	DELIVERED LUMENS	WATTAGE
2000L	2310	17W
2500L	2530	20W
3000L	2970	25W

Based on 4000K, 85+ CRI. Actual wattage may vary +/- 5%

**FEATURES**

The OWVS LED Vapor Tight is a wet location luminaire designed to withstand exposure to harsh weather and areas where water might be a hazard. Qualifies as emergency lighting, which lights a safe path of egress for evacuation. Shallow, lightweight design permits quick, easy installation. A wide beam spread and excellent glare control make it perfect for a number of egress lighting applications. Complies with building and safety codes to safely light parking garages, schools, car washes, corridors, hallways, stairways, food processing, cold storage, and other industrial facilities.

LUMENS	2000L/2500L/3000L
CCT	35K/40K/50K
CRI	85+
COLOR QUALITY	3 Step MacAdam Ellipse
LENGTH	2'
MOUNTING	Surface
DIMMING & CONTROL	0-10V Flicker Free 10% Dimming Standard (DIM10)
LIFETIME	L70 at 100,000 Hours
PHOTOMETRIC TESTS	In Accordance with IES LM79-08, LM80 and TM-30, TM-21



**MAINTENANCE**

Two-piece, snap-together design for fast, easy installation. Simple two-piece design consists of housing and optical assembly to streamline installation process.

**OPTICS**

Frosted lens is easy to install with clips that secure lens to housing and ensure vapor-tight operation. Frosted lens prevents discoloration and allows for maximum glare control.

**MOUNTING**

Suitable for suspension by V-hook or surface mounting. All required hardware is included (less chain, cable).

**CONSTRUCTION**

One-piece, durable fiberglass housing. Continuous one-piece gasket provides airtight seal, keeping out condensation, humidity, dirt, and dust. Stainless steel latches securely attach to the housing, keeping the housing and lens securely in place.

**DRIVER ELECTRICAL INFORMATION**

Powered by high-quality constant-current power LED drivers rated for 50 to 60Hz at 120/277V input. Available in 347V, produce less than 20% THD, and have a power factor of .90 to 1.00.

**DIMMING & DRIVER INFORMATION**

DIM10 - Flicker Free 10% Dimming Standard (DIM10) 0-10V dimming on either MVOLT 120, 277 or 347V.

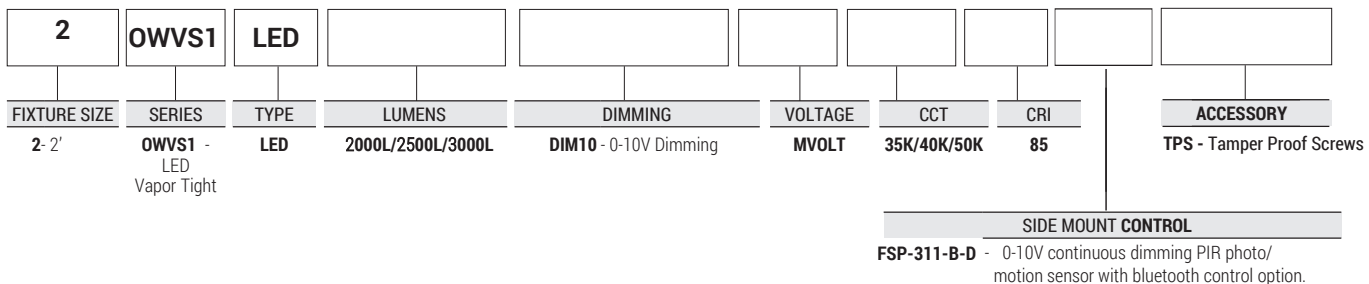
**WARRANTY**

Five-year warranty for parts and components. (Labor not included).

**LISTINGS**

UL/C-UL listed to US and Canadian standard  
IP65 Rated  
ANSI/UL 8750  
ANSI/UL 1598  
DLC listed

Example: **2-OWVS1-LED-2000L/2500L/3000L-DIM10-MVOLT-35K/40K/50K-85**



**-OWVS1-LED-2000L-2500L-3000L-DIM10-MVOLT-35K-40K-50K-85(2000L)**

TEST NO.: **EL07272261**

INPUT WATTS: **24.6** LUMENS: **3294** EFFICACY: **134** CRI: **80+** CCT: **5000K** BEAM ANGLE: **118** SPACING CRITERIA: **1.21 x 1.21**

CANDELA DISTRIBUTION	CANDELA TABLE		LUMINANCE (cd/sq.m)		LUMENS PER ZONE		ZONAL LUMEN SUMMARY				
	0°	90°	0.00°	90.00°	ZONE	LUMENS	ZONE	UMENS	% LUMINAIRE		
	0°	1052	1052	0.00°	6469	6469	0° - 10°	99	0° - 20°	381	12%
	10°	1023	1027	45.00°	5880	5580	10° - 20°	282	0° - 30°	802	24%
	20°	956	956	55.00°	5903	5187	20° - 30°	421	0° - 40°	1303	40%
	30°	857	860	65.00°	6174	4741	30° - 40°	501	0° - 60°	2289	69%
	40°	738	718	75.00°	7225	4127	40° - 50°	515	0° - 80°	2945	89%
	50°	613	563	85.00°	13484	3467	50° - 60°	471	0° - 90°	3101	94%
	60°	488	404				60° - 70°	385			
	70°	367	248				70° - 80°	270			
	80°	245	105				80° - 90°	156			
	90°	148	23								

**CONE OF LIGHT**

MOUNTING HEIGHT	FC AT BEAM CENTER	BEAM DIA. 0°-180°	BEAM DIA. 90°-270°
6.0 ft	29.2 fc	20.0 ft	15.4 ft
8.0 ft	16.4 fc	26.6 ft	20.5 ft
10.0 ft	10.5 fc	33.3 ft	25.6 ft
12.0 ft	7.3 fc	39.9 ft	30.8 ft
14.0 ft	5.4 fc	46.6 ft	35.9 ft
16.0 ft	4.1 fc	53.3 ft	41.0 ft
18.0 ft	3.2 fc	59.9 ft	46.1 ft
20.0 ft	2.6 fc	66.6 ft	51.3 ft

**INDOOR COEFFICIENTS OF UTILIZATION**

pf	pc	20%												0%				
		80%			70%			50%			30%				10%			
pw	70%	50%	30%	10%	70%	50%	30%	10%	50%	30%	10%	50%	30%	10%	50%	30%	10%	0%
0	118	118	118	118	114	114	114	114	108	108	108	102	102	102	97	97	97	94
1	106	101	96	92	103	98	93	89	92	89	86	87	85	82	83	81	78	76
2	96	87	80	74	93	85	78	72	80	75	70	76	71	67	72	68	65	62
3	87	76	68	61	84	74	66	60	70	64	58	67	61	56	63	59	55	52
4	80	67	58	51	77	66	57	51	62	55	49	59	53	48	56	51	47	44
5	73	60	51	44	71	59	50	44	56	48	43	53	47	42	51	45	41	38
6	68	54	45	38	65	53	44	38	50	43	37	48	41	36	46	40	36	33
7	63	49	40	34	61	48	39	34	46	38	33	44	37	32	42	36	32	29
8	58	45	36	30	56	44	36	30	42	35	29	40	34	29	39	33	28	26
9	55	41	33	27	53	40	32	27	39	31	26	37	31	26	36	30	26	24
10	51	38	30	25	50	37	29	24	36	29	24	34	28	24	33	27	23	21

**2-OWVS1-LED-2000L-2500L-3000L-DIM10-MVOLT-35K-40K-50K-85(2500L)**

TEST NO.: **EL07272261**

INPUT WATTS: **20.0** LUMENS: **2733** EFFICACY: **137** CRI: **80+** CCT: **4000K** BEAM ANGLE: **117** SPACING CRITERIA: **1.21**

CANDELA DISTRIBUTION	CANDELA TABLE		LUMINANCE (cd/sq.m)		LUMENS PER ZONE		ZONAL LUMEN SUMMARY				
	0°	90°	0.00°	90.00°	ZONE	LUMENS	ZONE	UMENS	% LUMINAIRE		
	0°	880	880	0.00°	5414	5414	0° - 10°	83	0° - 20°	319	12%
	10°	856	859	45.00°	4917	4590	10° - 20°	236	0° - 30°	670	25%
	20°	799	799	55.00°	4930	4262	20° - 30°	351	0° - 40°	1086	40%
	30°	717	706	65.00°	5155	3896	30° - 40°	416	0° - 60°	1904	70%
	40°	617	590	75.00°	5946	3392	40° - 50°	427	0° - 80°	2445	89%
	50°	512	463	85.00°	11100	2847	50° - 60°	391	0° - 90°	2574	94%
	60°	407	332				60° - 70°	318			
	70°	302	204				70° - 80°	223			
	80°	201	87				80° - 90°	128			
	90°	122	19								

**CONE OF LIGHT**

MOUNTING HEIGHT	FC AT BEAM CENTER	BEAM DIA. 0°-180°	BEAM DIA. 90°-270°
6.0 ft	24.5 fc	19.7 ft	15.2 ft
8.0 ft	13.8 fc	26.3 ft	20.3 ft
10.0 ft	8.8 fc	32.8 ft	25.3 ft
12.0 ft	6.1 fc	39.4 ft	30.4 ft
14.0 ft	4.5 fc	46.0 ft	35.5 ft
16.0 ft	3.4 fc	52.5 ft	40.6 ft
18.0 ft	2.7 fc	59.1 ft	45.6 ft
20.0 ft	2.2 fc	65.6 ft	50.7 ft

**INDOOR COEFFICIENTS OF UTILIZATION**

pf	pc	20%												0%				
		80%			70%			50%			30%				10%			
pw	70%	50%	30%	10%	70%	50%	30%	10%	50%	30%	10%	50%	30%	10%	50%	30%	10%	0%
0	118	118	118	118	114	114	114	114	108	108	108	102	102	102	97	97	97	94
1	106	101	96	92	103	98	93	90	92	89	86	87	85	82	83	81	78	76
2	96	87	80	74	93	85	78	72	80	75	70	76	71	67	72	68	65	62
3	87	76	68	61	84	74	66	60	70	64	58	67	61	56	63	59	55	52
4	80	67	58	51	77	66	57	51	62	55	49	59	53	48	57	51	47	44
5	73	60	51	44	71	59	50	44	56	48	43	53	47	42	51	45	41	38
6	68	54	45	39	65	53	44	38	50	43	37	48	42	36	46	40	36	33
7	63	49	40	34	61	48	40	34	46	38	33	44	37	32	42	36	32	30
8	58	45	36	30	57	44	36	30	42	35	29	40	34	29	39	33	28	26
9	55	41	33	27	53	40	32	27	39	32	27	37	31	26	36	30	26	24
10	51	38	30	25	50	37	30	24	36	29	24	34	28	24	33	27	23	22

**2-OWVS1-LED-2000L-2500L-3000L-DIM10-MVOLT-35K-40K-50K-85(3000L)**

TEST NO.: **EL07272261**

INPUT WATTS: **15.8** LUMENS: **2175** EFFICACY: **138** CRI: **80+** CCT: **3500K** BEAM ANGLE: **117** SPACING CRITERIA: **1.21**

CANDELA DISTRIBUTION	CANDELA TABLE		LUMINANCE (cd/sq.m)		LUMENS PER ZONE		ZONAL LUMEN SUMMARY				
	0°	90°	0.00°	90.00°	ZONE	LUMENS	ZONE	UMENS	% LUMINAIRE		
	0°	700	700	0.00°	7537	7537	0° - 10°	66	0° - 20°	254	12%
	10°	681	683	45.00°	6841	6379	10° - 20°	187	0° - 30°	533	25%
	20°	636	635	55.00°	6865	5926	20° - 30°	279	0° - 40°	864	40%
	30°	570	561	65.00°	7179	5416	30° - 40°	331	0° - 60°	1515	70%
	40°	491	469	75.00°	8280	4710	40° - 50°	340	0° - 80°	1946	89%
	50°	408	368	85.00°	15435	3973	50° - 60°	311	0° - 90°	2048	94%
	60°	324	264				60° - 70°	253			
	70°	240	162				70° - 80°	177			
	80°	160	69				80° - 90°	102			
	90°	97	15								

**CONE OF LIGHT**

MOUNTING HEIGHT	FC AT BEAM CENTER	BEAM DIA. 0°-180°	BEAM DIA. 90°-270°
6.0 ft	19.5 fc	19.7 ft	15.2 ft
8.0 ft	10.9 fc	26.3 ft	20.2 ft
10.0 ft	7.0 fc	32.8 ft	25.3 ft
12.0 ft	4.9 fc	39.4 ft	30.4 ft
14.0 ft	3.6 fc	45.9 ft	35.4 ft
16.0 ft	2.7 fc	52.5 ft	40.5 ft
18.0 ft	2.2 fc	59.1 ft	45.5 ft
20.0 ft	1.8 fc	65.6 ft	50.6 ft

**INDOOR COEFFICIENTS OF UTILIZATION**

pf	pc	20%												0%				
		80%			70%			50%			30%				10%			
pw	70%	50%	30%	10%	70%	50%	30%	10%	50%	30%	10%	50%	30%	10%	50%	30%	10%	0%
0	118	118	118	118	114	114	114	114	108	108	108	102	102	102	97	97	97	94
1	106	101	96	92	103	98	93	90	92	89	86	87	85	82	83	81	78	76
2	96	87	80	74	93	85	78	72	80	75	70	76	71	67	72	68	65	62
3	87	76	68	61	84	74	66	60	70	64	58	67	61	56	63	59	55	52
4	80	67	58	51	77	66	57	51	62	55	49	59	53	48	57	51	47	44
5	73	60	51	44	71	59	50	44	56	48	43	53	47	42	51	45	41	38
6	68	54	45	38	65	53	44	38	50	43	37	48	42	36	46	40	36	33
7	63	49	40	34	61	48	40	34	46	38	33	44	37	32	42	36	32	30
8	58	45	36	30	57	44	36	30	42	35	29	40	34	29	39	33	28	26
9	55	41	33	27	53	40	32	27	39	32	27	37	31	26	36	30	26	24
10	51	38	30	25	50	37	30	24	36	29	24	34	28	24	33	27	23	22

**INTEGRATED SENSOR AND CONTROL OPTIONS**

With the integration of controls, Elite Lighting now offers its products with controls-ready performance that increases energy efficiency, smarter space planning, and the enhancement of safety and productivity in the workplace. By utilizing these controls, Elite Lighting luminaires enable your customer's facility to run smarter, with the use of an easily controlled system through any platform.

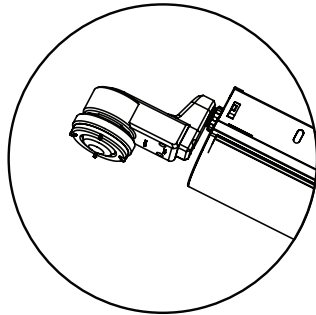
Luminaire will be shipped with Powerpacks pre-installed, ready to be integrated to designated control systems

Luminaire will be shipped with Sensors installed on the luminaire, allowing for individual luminaire control. Luminaires will be ready to be integrated with designated control systems

Luminaire will be shipped with Sensors to be remotely installed on the ceiling. Luminaires will be ready to be integrated with designated control systems

<b>BRAND</b>	
<b>PIR INTEGRATED SENSOR</b>	<input type="checkbox"/> FSP-311-B-D 0-10V continuous dimming PIR photo/motion sensor with bluetooth control option.

**SIDE MOUNT**



**LEGRAND**

FSP-311-B-D  
 0-10V continuous dimming PIR photo/motion sensor with bluetooth control option.