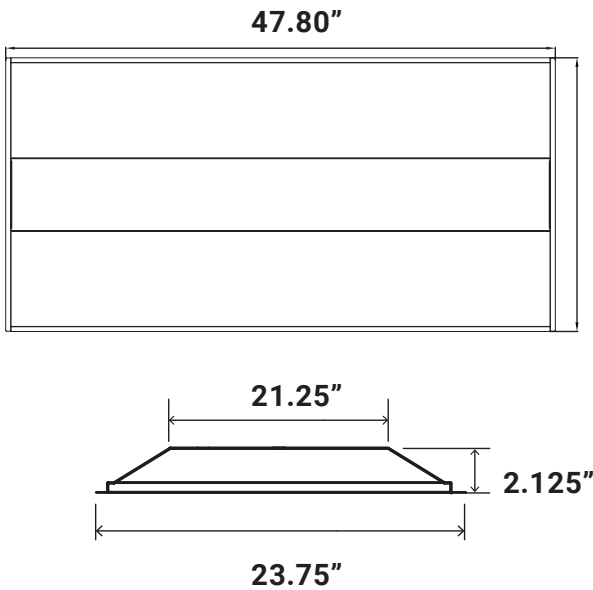




FEATURES

A combination of stylish design and shallow profile, coupled with innovative LED technology to deliver soft, glare-free illumination, resulting in improved visual comfort and uniform appearance. The enhancement of the volumetric effect provides increased brightness with an aesthetically pleasing appearance and contemporary design. The energy-saving features and optical performance create the ideal choice for educational, medical, office and retail spaces. Easily adjust output and color temperature in the field wireless via App. Brighter, volumetric illumination makes this troffer retrofit kit ideal for offices, hallways, conference rooms, warehouses, gymnasiums, retail, hospitality, commercial, and healthcare applications.

LUMENS	Wireless Adjustable up to 6000L
CCT	Wireless Selectable 30K, 35K, 40K, 50K
CRI	85+ (Standard)
COLOR QUALITY	3-Step MacAdam Ellipse
LENGTHS	2 x 2', 2 x 4', 1 x 4'
MOUNTING	Recessed, Surface
DIMMING & CONTROL	Wireless Bluetooth Mesh Lighting Control
EMERGENCY	10W - Up to 1500L output, 20W - Up to 3000L output
LIFETIME	L70 at 60,000 Hours
OPERATING TEMPERATURE	-20° C to 50° C Ambient Temperature
PHOTOMETRIC TESTS	In Accordance with IES LM79-08, LM80 and TM-30, TM-21



Nominal Lumens	Delivered Lumens	Wattage
6000	5720	45W

Based on 4000K, 90+ CRI. Actual wattage may vary +/- 5%



MAINTENANCE

The center acrylic diffuser can be removed, allowing easy access to LED boards and driver compartment, locking into place for secure closure of the luminaire. LED engines and drivers are removable and upgradable even after luminaire installation. Luminaire can be regularly and safely wiped down to ensure optimal performance.

OPTICAL SYSTEM

The LED light engine is secured to the body of the luminaire with the body acting as a heat sink. A proprietary design of the lens results in zero pixilation regardless of the viewing angle, with LEDs placed to promote a uniform appearance. The result is even illumination across the space from luminaire to luminaire.

CONSTRUCTION

Body is constructed of heavy-duty 20-gauge cold-rolled steel, post-painted and engineered for maximum strength and extended life. All corners interlock to prevent aesthetic damage to the luminaire, with sides and corners uniformly turned in and hemmed to remove sharp edges for safe handling and easy installation. Luminaire is supplied with multiple wiring entrances for easy daisy chain of luminaires, to add power packs, whips, or other accessories in the field, or for continuous row mounting.

SCAN TO DOWNLOAD THE APP



FINISH

Post-painted with a 93% reflective white coat to improve luminaire efficacy with all body components seamlessly interlocked for added structural strength.

MOUNTING

Luminaires accommodate lay-in ceilings, Slot T, and T-bar suspension systems for 5/8" and 3/8" ceiling thicknesses. Four corner tie points are standard for safety wire support when required, with built-in earthquake clips, standard. Luminaires may be available with flange kits, surface mounted kits, and other options.

DIMMING AND CONTROL

2.4GHz wireless mesh technology with AES 128-bit encryption lighting control can connect 100 devices per group. With max distance of 98 feet in line barriers or corners. Luminaires work with wireless or embedded switch. System control is achieved by a Bluetooth mesh network, thus no need for Routers and Gateways. Luminaires can be shipped pre-installed with daylight harvesting controls, occupancy sensors, and/or power packs for individual or room lighting control.

Bluetooth Mesh

The system control is achieved by a Bluetooth mesh network, eliminating the need for routers and gateways.

Energy-Saving

Light output is automatically set by the system based on the user's requirement.

Comfort

Light output will automatically change based on the variation of indoor light luminance.

Convenience

Illumination mode can be achieved with a push of a button.

EXAMPLE: 24-OEVHP-BLE-MS-LED-6000L-MVOLT-30K35K40K50K-85

FIXTURE SIZE	SERIES	TYPE	LUMENS	VOLTAGE	CCT	CRI	EMERGENCY	OTHER	ACCESSORIES
24	OEVHP	BLE-MS-LED	6000L	MVOLT	30/35/40/50K	85	O-EMG-LED-10W O-EMG-LED-20W	OTHER OPTIONS	ACCESSORIES

- FBF**
Internal Fast Blow Fuse
IntelliCast Face Plates
- SBF**
Internal Slow Blow Fuse
IC-BLE-SW3-MVOLT-WH (IntelliCast Technology Wireless Battery Powered 3 Button Switch)
IC-BLE-SW5-MVOLT-WH (IntelliCast Technology Wireless Battery Powered 5 Button Switch)
IC-BLE-SW7-MVOLT-WH (IntelliCast Technology Retrofit 7 Button Switch)
- RIS**
Radio Interference Suppressor
IntelliCast Zone Controller
- 24 FK**
1'x4' Flange Kit
- 24-OEVHP-LED-SMK**
Surface Mount Kit
- USA**
Made in America
America Compliant

CONTROL AND SENSOR

Luminaires are shipped with pre-installed daylight harvesting controls and occupancy sensors for individual or room lighting control.

WARRANTY

Five-year warranty for parts and components. Labor not included.

LISTINGS

c-UL-us - Listed for Feed Through Wiring.
UL 8750 LED equipment in Lighting Products
All LED luminaires are rated and tested to LM-79 and LM-80 standards by Elite Lighting. Listed for DLC, California Title 24 compliant.

THE APP

The IntelliCast app by Elite Lighting allows validated end users (electrical contractors, sales agents, or facility maintenance professionals) to startup, configure, and troubleshoot wirelessly from a compatible smart phone or tablet.

The mobile app is optimized for efficient on-site startup and maintenance. It allows end-users to easily modify the settings and operation of fixtures, sensors, and wall switches in a group to meet energy code requirements. For larger installations, multiple users may use the mobile app simultaneously to reduce on-site time.

BENEFITS

- Complete control for applications using this room-based system
- Bluetooth-enabled app for iOS and Android devices
- Auto configuration and plug-n-play connectivity for simplified installation
- Intuitive interface and user-friendly wall stations for precise control

MAKE COMMISSIONING OF YOUR LIGHTING EASY



Add Luminaires	Create Groups	Switches	Scenes	QR Codes	More Settings
<ul style="list-style-type: none"> • Add/ Delete • Individual Dimming • CCT Adjustable • 100 Luminaires per Group, 30 Groups Max 	<ul style="list-style-type: none"> • Select Individual Lights • Add to Group • Link Groups • Delete Groups • Group Settings <ul style="list-style-type: none"> • Auto Settings • Motion Sensor • Daylight Harvesting • Time Delay • Program Presets 	<ul style="list-style-type: none"> • Pair App to Switch • Three Types of Switches • Switch will Provide Options 	<ul style="list-style-type: none"> • Create / Edit Scenes • Modify Presets 	<ul style="list-style-type: none"> • Gain Admin Access • Gain User Access • Share Codes 	<ul style="list-style-type: none"> • Create Schedules • Find QR Codes • Circadian Rhythm Settings • Luminaire Information • Converter & Sensor Info • Nearby Lights • Function Testing • Auto Calibration • Trim Settings • Bluetooth Radio Settings • App Version Info