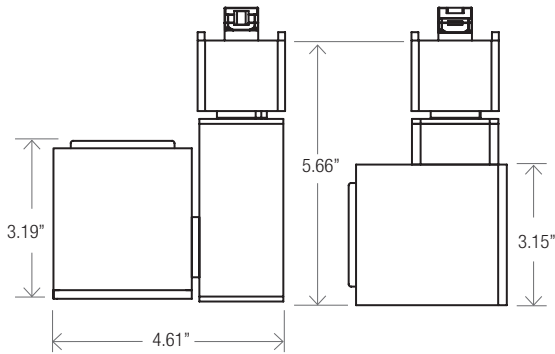
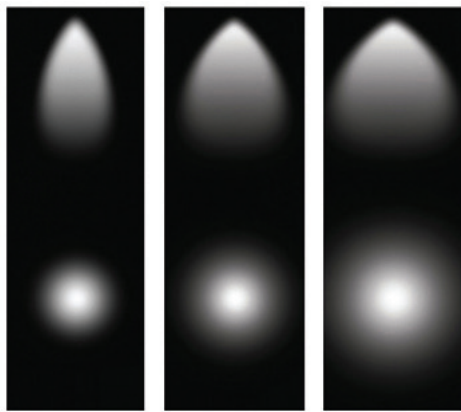




EASY 3 COLORS
SELECTOR
3000K • 3500K • 4000K



OPTICS



SP Spot 15°	NFL Narrow Flood 24°, 25°	FL Flood 36°, 38°
--------------------------	--	--------------------------------

NOMINAL LUMENS	DELIVERED LUMENS	WATTAGE
2000	1950	29.4 W

Based on 3000K, 90+ CRI. Actual wattage may vary +/- 5%

FEATURES

A small profile LED track light that delivers optimal lumen output, with precise aiming for accent, track, or general illumination, integrating into any design. Track heads are adjustable up to 360 degrees horizontally, 180 degrees vertically, and are compatible with 1-circuit and 2-circuit track. With the use of a friction-based locking movement system, the head can be adjusted and re-adjusted to a precise position, delivering light where needed. Available in an array of color temperatures, it can accentuate the full spectrum of cool to warm tones, and is the perfect complement for retail merchandising, galleries, museums, supermarkets, hospitality, and commercial.

LUMENS	2000
CCT	30K/35K/40K
CRI	90+
COLOR QUALITY	2 Step MacAdam Ellipse
DISTRIBUTION	SP (Spot), NFL (Narrow Flood), FL (Flood)
AIMING	360 degrees horizontally, 180 degrees vertically
FINISH	AWH (Architectural White) ABK (Architectural Black) Custom RAL
DIMMING	Flicker Free 10% Dimming TRIAC forward-phase or leading-edge 120V.
LIFETIME	L70 at 50,000 Hours
PHOTOMETRIC TESTS	In Accordance with IES LM79-08, LM80 and TM-30, TM-21



OPTICS

A polycarbonate optical refractor allows for precise beam control and even distribution, with a variety of lumen options.

CONSTRUCTION

All track heads are designed using a proprietary coolLED Advanced Thermodynamic Design. The track head body is constructed of extruded aluminum, with a die-cast custom designed concealed heat sink, providing a thermal management system that is engineered for extremely long life and service period.

FINISH

Post-painted available in white, black and custom RAL colors.

ACCESSORIES

Track heads may accommodate 1 to 3 accessories. Please consult factory for standard or custom options.

TRACK COMPATIBILITY

Track heads are standard, with the compatibility for use with Mono-point, 1-Circuit, and 2-Circuit type H track. Please consult factory for 2-Circuit, 2-Neutral 120V Track, 2-Circuit, 2-Neutral 277V Track, 3-Circuit 1-Neutral, and Dali System Track.

DIMMING AND DRIVER INFORMATION

DIMTR – Electronic constant current LED driver compatible with TRIAC forward-phase or leading-edge dimming. Available in 120V. Dimmable down to 1%, standard. The LED driver is rated for 50 to 60Hz at 120V input, produces less than 20%THD, and has a power factor between 90% and 100%, and is thermally protected for additional safety. Please consult factory for 277V, or 0-10V dimming options.

WARRANTY

Five-year warranty for parts and components. (Labor not included)

Example: **ET-LED-344-2000L-DIMTR-120-FL-30K/35K/40K-90-AWH**

SERIES	LUMENS	DIMMING	OPTICS	CCT/CRI	COLOR
ET-LED-344	<input type="checkbox"/> 2000L - 2500 lumens	<input type="checkbox"/> DIMTR-120	<input type="checkbox"/> SP - Spot 12° <input type="checkbox"/> NFL - Narrow Flood 24°-25° <input type="checkbox"/> FL - Flood 36°-38°	<input type="checkbox"/> 30K/35K/40K-90	<input type="checkbox"/> AWH - Architectural White <input type="checkbox"/> ABK - Architectural Black