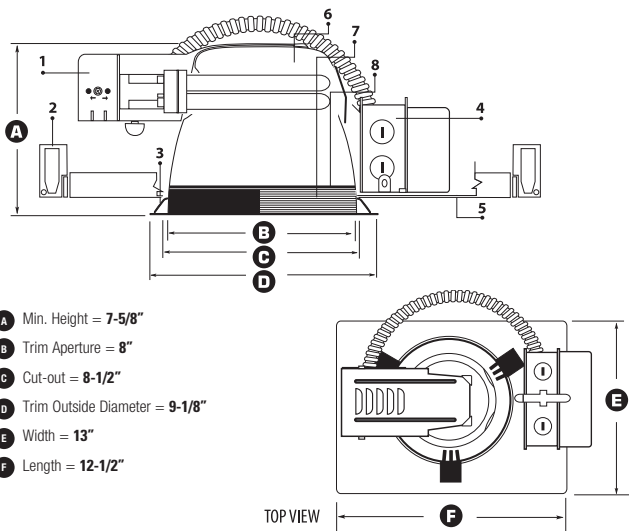


# HH8PLIC HORIZONTAL FLUORESCENT IC HOUSING

8 INCH HORIZONTAL FLUORESCENT IC HOUSING



TRIM: 8501 REFLECTOR



- A Min. Height = 7-5/8"
- B Trim Aperture = 8"
- C Cut-out = 8-1/2"
- D Trim Outside Diameter = 9-1/8"
- E Width = 13"
- F Length = 12-1/2"

TOP VIEW

## DESCRIPTION:

**1. LAMP HOLDER** - Aluminum lamp holder effectively provides heat dissipation and ventilation. Unitized optics guarantees proper trim to housing installation. Tool-less installation adjustability from either outside the housing or inside the housing.

**2. MOUNTING BRACKET** - Preinstalled bar hangers allow housing to be positioned and locked at any point within a 24" joist span and can be shortened for 12" joists. They are designed to be hammered directly without using nails or screws and could be fit onto T-Bar spline for easy installation and quick alignment.

**3. RETAINING SPRINGS** - Precision tooled springs secure trim to mounting frame, for effortless and tool-less installation.

**4. JUNCTION BOX/BALLAST** - UL listed for through-branch circuit wiring and has four 1/2" KO's, one 3/4" KO and four Romex knockouts with pry-out slots and strain clamps. Ballast and Junction Box are accessible from below, no tools required. **Ballast supplied is manufactured by Advance Transformer CO, Universal Technologies or Lutron Electronics.**

**5. MOUNTING FRAME** - Die-formed construction for maximum heat dissipation and rust protection.

**6. OUTER HOUSING** - Thermally protected specification grade compact CFL aluminum IC housing. For new construction where housing will be in direct contact with insulation.

## OPTICS

**7. REFLECTOR** - Self-flanged .050" aluminum reflector with low iridescent finish. Reflector provides 45-degree lamp-to-reflector image cutoff.

**8. GROOVE BAFFLE** - One-piece aluminum with concentric rings.

**9. LENS** - Choice of either tempered clear, tempered fresnel, tempered prismatic or tempered frosted lens fastened with two torsion springs for easy re-lamping. UL listed for wet or damp location.

## LISTING:

UL listed for through-branch circuit wiring and damp locations. Wet location only with lens trims.

TYPE:	PROJECT NAME:
-------	---------------

### HH8PLIC - ITEM SELECTOR: (Please check the boxes below for the option desired)

WATTAGE		BALLAST	VOLTAGE	EMERGENCY OPTIONS	TRIM TYPE & DESCRIPTION		REFLTR.	BAFFLE	
<input type="checkbox"/> 1 LAMP	<input type="checkbox"/> 2 LAMPS	<input type="checkbox"/> (E)Electronic	<input type="checkbox"/> MVOLT (120/277)	<input type="checkbox"/> EMG 750 <sup>5,6</sup> (750 Lum.)	<input type="checkbox"/> 8501 Reflector	<input type="checkbox"/> 8514 Ref./Frost Gls. Lns.	<input type="checkbox"/> CL	<input type="checkbox"/> WH	
<input type="checkbox"/> 1x9 <sup>1</sup>	<input type="checkbox"/> 2x9 <sup>1</sup>	<input type="checkbox"/> (M)Magnetic	<input type="checkbox"/> 120	<input type="checkbox"/> EMG 1300 <sup>5,6</sup> (1300 Lum.)	<input type="checkbox"/> 8502 Baffle/Ref.	<input type="checkbox"/> 8515 Ref./Tem. Clr. Gls.	<input type="checkbox"/> SCH**	<input type="checkbox"/> P	
<input type="checkbox"/> 1x13	<input type="checkbox"/> 2x13	<input type="checkbox"/> (S)Energy Star <sup>2</sup>	<input type="checkbox"/> 277	<input type="checkbox"/> INTG-750 <sup>5,7</sup> (750 Lum.)	<input type="checkbox"/> 8503 Ref./Fres. Gls. Lns.	<input type="checkbox"/> 8516 Ref./Pris. Plas. Lns.	<input type="checkbox"/> SHZ*	<b>GLASS</b>	
<input type="checkbox"/> 1x18	<input type="checkbox"/> 2x18	<input type="checkbox"/> (DBL) Dual Ballast	<input type="checkbox"/> 347	<input type="checkbox"/> INTG 1300 <sup>5,7</sup> (1300 Lum.)	<input type="checkbox"/> 8504 Ref./Pris. Gls. Lns.	<input type="checkbox"/> 8517 Baf./Pris. Plas. Lns.	<input type="checkbox"/> WT		<input type="checkbox"/> Blue
<input type="checkbox"/> 1x26	<input type="checkbox"/> 2x26	<b>DIMMING</b>		<input type="checkbox"/> EMG-D-750 <sup>5,8</sup> (750 Lum.)	<input type="checkbox"/> 8505 Baffle/Fres. Gls. Lns.	<input type="checkbox"/> 8518 Ref./Tem. Clr. Plas.	<input type="checkbox"/> W		<input type="checkbox"/> Green
<input type="checkbox"/> 1x32	<input type="checkbox"/> 2x32		<input type="checkbox"/> Adv-7 <sup>3</sup>		<input type="checkbox"/> INTG-D-750 <sup>5,9</sup> (750 Lum.)	<input type="checkbox"/> 8506 Baffle/Pris. Gls. Lns.	<input type="checkbox"/> 8519 Ref./Tem. Clr. Gls.		<input type="checkbox"/> MB
<input type="checkbox"/> 1x42	<input type="checkbox"/> 2x42	<input type="checkbox"/> Adv-10 <sup>4</sup>		<input type="checkbox"/> ICE-1300 <sup>5,10</sup> (1300 Lum.)	<input type="checkbox"/> 8507 Wall Wash	<input type="checkbox"/> 8509 Deco Glass Ring		<input type="checkbox"/> Frost	
		<input type="checkbox"/> Lut-H <sup>1</sup> (FDB)		<b>OTHER OPTIONS</b>	<input type="checkbox"/> 8508 Crossblade	<input type="checkbox"/> 8510 Double Ring			
				<input type="checkbox"/> FUSE <sup>11</sup>	<input type="checkbox"/> 8512 Baffle/Frost Gls. Lns.	<input type="checkbox"/> 8511 Triple Ring			
				<input type="checkbox"/> RIF <sup>12</sup>	<input type="checkbox"/> 8513 Baffle/Tem. Clr. Gls.				

<sup>1</sup>1=SW--Available only in Magnetic | <sup>2</sup>2=S--Electronic Energy Star Ballast, available in 120V only | <sup>3</sup>3=Adv-7 not available on HH8PLIC-1x9, HH8PLIC-1x13 | <sup>4</sup>4=Adv-10 and Lut-H(FDB) are not available on HH8PLIC-1x9, HH8PLIC-1x13 | <sup>5</sup>5=See page 308-321 for more details

<sup>6</sup>6-EMG--Emergency battery pack w/ remote test switch | <sup>7</sup>7-INTG--Emergency battery pack w/ integral(reflector) test switch | <sup>8</sup>8-EMG-D--Emergency battery pack w/ remote test switch for damp location | <sup>9</sup>9-INTG-D--Emergency battery pack w/ integral(reflector) test switch for damp location | <sup>10</sup>10-ICE--Emergency battery pack w/ remote test switch operating between -18°C and 55°C | <sup>11</sup>11-FUSE--Single slow-blow fuse | <sup>12</sup>12-RIF--Radio interference filter

### Specifications:

HH8PLIC \_\_\_\_\_ - \_\_\_\_\_ - \_\_\_\_\_ - \_\_\_\_\_ - \_\_\_\_\_ - \_\_\_\_\_ - \_\_\_\_\_ - \_\_\_\_\_ - \_\_\_\_\_ - \_\_\_\_\_

WATT BALLAST VOLTAGE EMERGENCY OPTIONS TRIM TYPE REFLEC. BAFFLE RING GLASS

Sample of Catalog Number: HH8PLIC-1X26-E-MVOLT-EMG750-8501-CL-WH

<b>REFLECTOR</b>	<b>BAFFLE</b>	<b>RING</b>
CL Clear	WH White	WH Self-Flange White
SHZ Satin Haze	P Black	Standard on all trims
SHZ* Satin Haze (Low Interscatter)		SCH** Self-Flange Chrome
WT Wheat	<b>GLASS</b>	** Only available on XX01 CL
MB Black	Only available on XX09, XX10 and XX11 series.	SHZ* Satin Haze
W White		* Provided w/ satin haze ring only

\*For custom baffle, reflector, trim ring, glass color and lens options, please consult factory.

8 INCH HORIZONTAL FLUORESCENT IC HOUSING