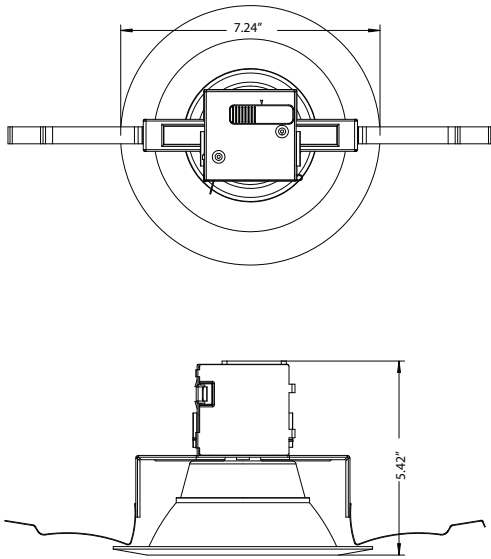




EASY 5 COLORS
SEleCCTOR
2700K • 3000K • 3500K • 4000K • 5000K



NOMINAL LUMENS	DELIVERED LUMENS	WATTAGE
750	1133	13W

Based on 2700K, 90+ CRI. Actual wattage may vary +/- 5%



INSTALLATION

Elite LED Retrofits come standard with quick connectors ready for installation in Elite Lighting's LD series recessed housing that are Energy Star and Title 24 rated (LD41C-AT, LD51C, LD61C-AT).

FEATURES

The RJL Quick Fit downlight combines a residential remodel can plus a trim in one fixture. The driver and junction box are integral to the fixture and the Quick Fit does not require a recessed housing for installation, making it ideal for applications where ceiling or top access is not available to service these luminaires. An easy 5-Color SeleCCTOR switch allows the contractor to easily switch between color temperatures in the field. The Quick Fit is ideal for new construction or remodel applications including hospitality, retail, light commercial, and high-end residential.

LUMENS	750
CCT	27K/30K/35K/40K/50K
CRI	90+
COLOR QUALITY	3 Step MacAdam Ellipses
TRIM	Baffle, Aluminum die-cast body and trim
REFLECTOR COLORS	WH (White)
FLANGE COLORS	W (White)
DIMMING	DIMTR (Triac)
LIFETIME	L70 at 50,000 Hours
EMERGENCY	16W high voltage inverter (Installed into the housing)*
PHOTOMETRIC TESTS	In Accordance with IES LM79-08, LM80 and TM-30, TM-21

* Consult Factory

EASE OF INSTALLATION

Quick Fits are provided with two captive torsion springs tailored to fit in most residential housings. The Quick Fit is secured in place onto the ceiling by two retention springs and can easily be removed from the ceiling to allow for driver access. An NEC-rated junction box and driver allow for daisy-chain and feed-through wiring. Quick Fits come standard with quick connectors ready for installation.

OPTICS

Backlit LEDs are deeply regressed and shielded by a frosted diffuser lens, providing glare-free, even illumination.

CONSTRUCTION

Die-cast aluminum body for maximum heat dissipation.

EASY 5-COLOR SELECCTOR SWITCH

Easy 5-Color SeleCCTor switch can be adjusted to a choice of 5 different Kelvin color temperatures in the field. Options include 27K/30K/35K/40K/50K. The SeleCCTor switch is located on the junction box for easy adjustment before and after installation. The SeleCCTor switch is easily accessible by lowering the luminaire from the opening.

FLEXIBILITY – MULTIPLE APERTURES, TRIM TYPES AND FINISHES

Quick Fit is available in 4", 5", 6", and 8" in round and square apertures. Trim options include reflector, baffle, and adjustable in round or square. Product is shipped standard with white finish and available in a variety of trim rings that are field-installable (Black, Satin Nickel, Copper, and Bronze) for maximum design flexibility.

NO HOUSING REQUIRED FOR INSTALLATION

Quick Fit can be installed in the ceiling without a recessed housing. A cut-out template sticker is provided for ease of installation.

DRIVER ELECTRICAL INFORMATION

Driver is rated for 50 to 60Hz at 120V/277V input, produces less than 20% THD, has a power factor between 90% and 100%, and is thermally protected for additional safety.

DIMMING & DRIVER INFORMATION

DIMTR - Triac & electronic low voltage (DIMTR-120) dimming. Available in 120V. Dimmable down to 10% of initial lumens, standard.

APPLICATIONS

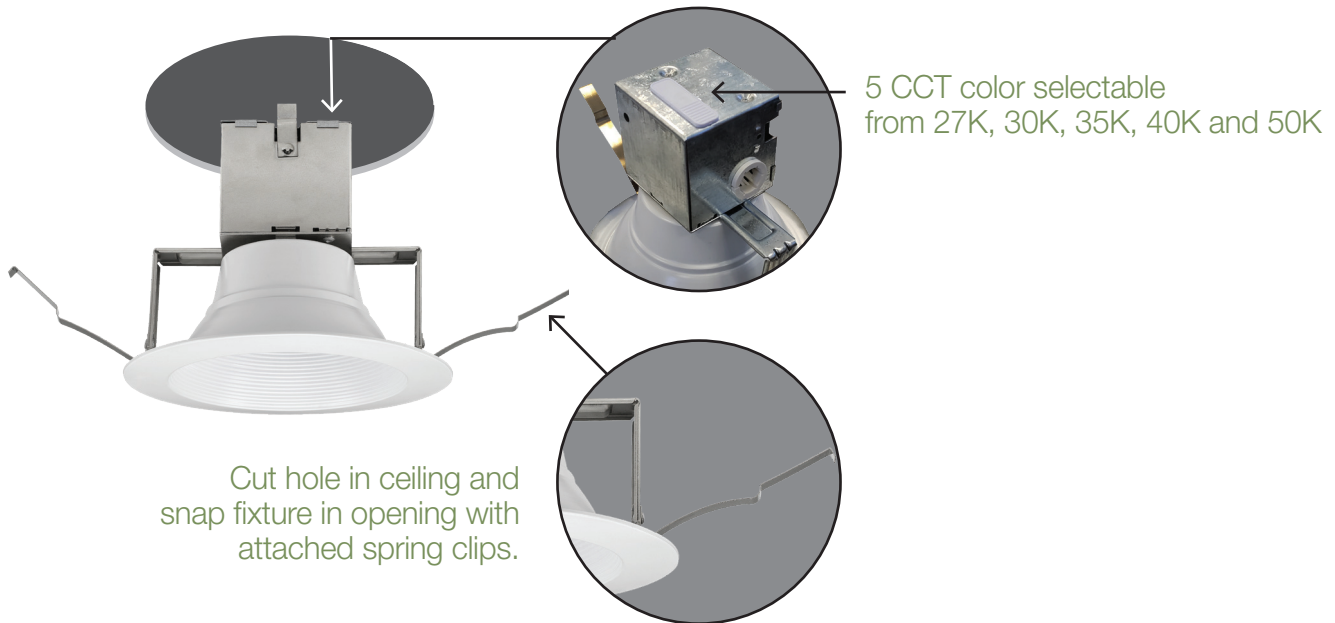
Damp and wet-location-rated ideal for indoor and outdoor use, shower, and other wet-location applications. IC-Rated and Air Tight and may be installed in direct contact with insulation.

WARRANTY

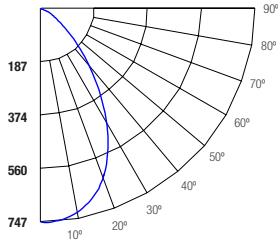
Five-year warranty for parts and components. (Labor not included)

LISTINGS

Energy Star
cETLus
Title 24
JA8
RoHS
IECC
New York State


EXAMPLE: RJL625-750L-DIMTR-120-30K-90-W-WH

TYPE	LUMEN	CCT	CRI	FINISH
RJL625	<input type="checkbox"/> 750L-DIMTR-120	<input type="checkbox"/> 27K/30K/35K/40K/50K	<input type="checkbox"/> 90+	<input type="checkbox"/> W-WH-White

RJL625-750L-DIMTR-120-27K-30K-35K-40K-50K-90
TEST NO.: EL05082054
INPUT WATTS: 13.2
LUMENS: 1133
CRI: 90
EFFICACY: 85
CCT: 2700K
SPACING CRITERIA: 1.10
Candle Power Distribution (Candelas)

Zonal Lumens Summary

Zone	Lumens	%Lamp	%Fixt
0-20	261.41	23.1	23.1
0-30	524.55	46.3	46.3
0-40	784.16	69.2	69.2
0-60	1084.63	95.7	95.7
0-80	1132.32	99.9	99.9
0-90	1132.32	99.9	99.9

Luminance (Average candela/M²)

Angle in Degrees	Average		
	0°	45°	90°
45	121057	119077	119319
55	69890	67694	69090
65	28219	27352	28794
75	5819	5251	3531
85	0	39	0

Lumens Per Zone

Zone	Lumens
0-10	69.9
10-20	191.51
20-30	263.14
30-40	259.61
40-50	193.51
50-60	106.97
60-70	39.79
70-80	7.89
80-90	0

Candela Tabulation

Q	
0	745.61
5	740.84
15	684.94
25	577.3
35	417.42
45	250.07
55	117.11
65	34.84
75	4.4
85	0
90	0

Coefficients of Utilization - Zonal Cavity Method

Effective Floor Cavity Reflectance 0.20

RC	80%				70%				50%				30%				10%				0%			
	RW	70%	50%	30%	10%	70%	50%	30%	10%	50%	30%	10%	50%	30%	10%	50%	30%	10%	50%	30%	10%	0%		
ROOM CAVITY RATIO	0	119	119	119	119	116	116	116	116	111	111	111	106	106	106	102	102	102	100	100	100	100		
1	112	109	106	103	109	106	104	101	102	100	98	99	97	95	95	94	92	92	90	90	90	90		
2	105	99	94	89	102	97	92	88	93	90	86	90	87	84	87	85	83	81	81	81	81	81		
3	98	90	83	78	95	88	82	78	85	80	76	83	79	75	80	77	74	72	72	72	72	72		
4	91	82	75	69	89	80	74	69	78	72	68	76	71	67	74	70	66	65	65	65	65	65		
5	85	75	67	62	83	74	67	62	72	66	61	70	65	60	68	64	60	58	58	58	58	58		
6	79	68	61	56	78	68	61	56	66	60	55	64	59	55	63	58	54	53	53	53	53	53		
7	74	63	56	51	73	62	55	50	61	55	50	60	54	50	58	53	50	48	48	48	48	48		
8	70	58	51	46	68	58	51	46	57	50	46	55	50	46	54	49	45	44	44	44	44	44		
9	66	54	47	42	65	54	47	42	53	46	42	52	46	42	51	46	42	40	40	40	40	40		
10	62	51	44	39	61	50	43	39	49	43	39	48	43	39	47	42	39	37	37	37	37	37		

Cone of Light			
2	186	3.1	3.1
4	46.6	6.2	6.1
6	20.7	9.2	9.2
8	11.7	12.3	12.3
10	7.46	15.4	15.3
12	5.18	18.5	18.4

(FT.) Distance to Plane (FO) Initial Footcandle at Nadir (FT.) Beam Vert. Spread (FT.) Beam Horiz. Spread

BEAM DIA. MEASURED AT 50% OF NADIR F.C.

RC - Ceiling Cavity Reflectance

RW - Wall Reflectance