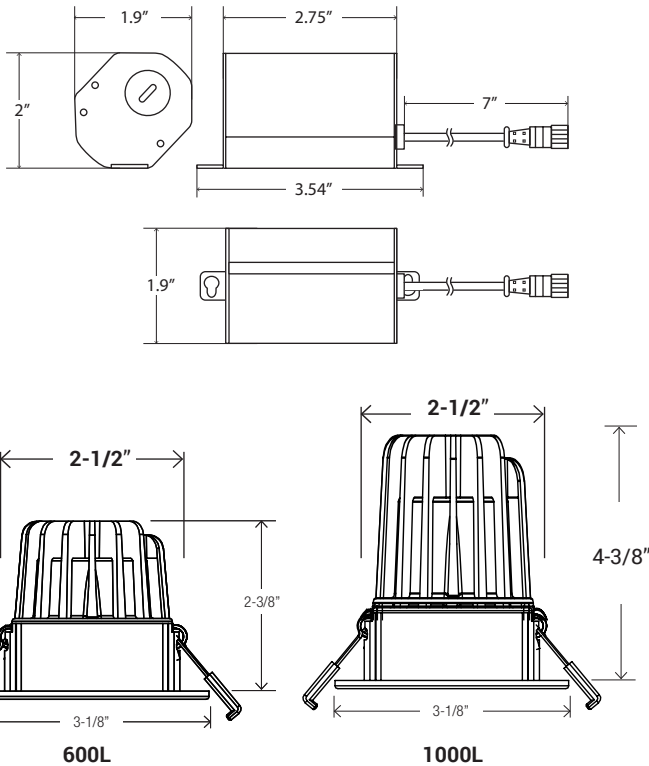




EASY 5 COLORS  
**SELECTOR**  
2700K • 3000K • 3500K • 4000K • 5000K



NOMINAL LUMENS	DELIVERED LUMENS	WATTAGE
600	588	8W
1000	1114	14W

Based on 3000K, 90+ CRI. Actual wattage may vary +/- 5%

**INSTALLATION**

Cut hole in ceiling. Insert luminaire into opening by squeezing spring clips on both sides of luminaire. The width in ceiling needed for the driver to fit is 3".

**FEATURES**

2" square LED luminaire engineered for new construction, remodel or retrofit to accommodate insulated or dropped ceilings. Remote driver allows easy installation and maintenance. Small aperture and shallow depth are ideal for unlimited applications.

LUMENS	600, 1000
CCT	27K/30K/35K/40K/50K
CRI	90+
COLOR QUALITY	3-Step MacAdam Ellipse
CONSTRUCTION	Aluminum die-cast body and trim
TRIM OPTION	Square Reflector
COLORS	WH (White-standard)
DIMMING	DIMTR (Triac)
EMERGENCY	16W high voltage inverter
LIFETIME	L70 at 50,000 Hours
PHOTOMETRIC TESTS	In Accordance with IES LM79-08, LM80 and TM-30, TM-21

- IC-Rated and Air-Tight ready and may be in direct contact with insulation.
- Can be installed in applications with limited plenum clearance.
- May be installed in drywall or suspended ceilings.
- Flicker-free 120V forward-phase Triac dimming down to 5%.
- Even illumination of luminaire is achieved by utilizing patent-pending optics along with edgelit LED technology.
- Aluminum die-cast body and trim.



**SLIM TRIM**



EXAMPLE: **RL276-600L-DIMTR-120-27K/30K/35K/40K/50K-90-WH**

TYPE	LUMEN	CCT	CRI	FINISH
RL276	<input type="checkbox"/> 1000L-DIMTR-120 <input type="checkbox"/> 600L-DIMTR-120	<input type="checkbox"/> 27K/30K/35K/40K/50K	<input type="checkbox"/> 90+	<input type="checkbox"/> W-WH - White (Standard)

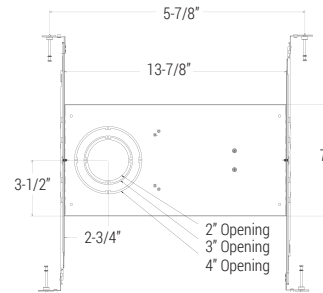
**ACCESSORIES**



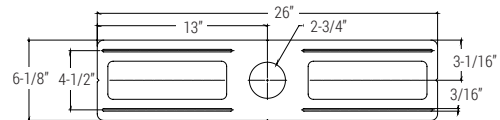
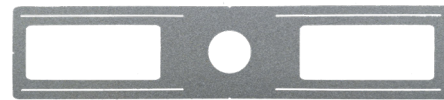
**RL-ACC-SLIM-1-10F**  
10-ft long extension



**RL-ACC-SLIM-1-20F**  
20-ft long extension



**RL-UNV-2/3/4**  
For use with: 2", 3", 4"  
Universal mounting plate



**RL-ACC-SLIM-2-ROUGHPLATE**  
Rough-in plate for use with 2" downlights

**RL-ACC-SLIM-1-10F**

OPTIONS
<input type="checkbox"/> <b>RL-ACC-SLIM-1-10F</b> - 10ft Long Extension <input type="checkbox"/> <b>RL-ACC-SLIM-1-20F</b> - 20ft Long Extension <input type="checkbox"/> <b>RL-UNV-2/3/4</b> - Universal Mounting Plate for 2",3" and 4" <input type="checkbox"/> <b>RL-ACC-SLIM-2-ROUGHPLATE</b> - 2" Mounting Plate