

## TROUBLESHOOTING:

	Possible Cause	Corrective Action
Bulb will not light.	1. Bulb is burned out.	1. Replace light bulb.
	2. Power is off.	2. Make sure power supply is on.
	3. Faulty wire connection.	3. Check wiring.
Fuse blows or circuit breaker trips when light is turned on.	Crossed wires or power wire is grounding out.	Check wire connections.

## PRODUCT MAINTENANCE:

1. To clean the trim of the recessed unit, use a dry or slightly dampened clean cloth (use clean water, never a solvent).
2. To clean the inside of the fixture, first disconnect power to the fixture by turning off the circuit breaker or by removing the fuse at the fuse box. Next, remove the bulb and use a dry or slightly dampened clean cloth (use clean water, never a solvent) to wipe the inside baffle and interior surface of the trim.
3. Do not use any cleaners with chemicals, solvents or harsh abrasives. Use only a dry soft cloth to dust or wipe carefully.

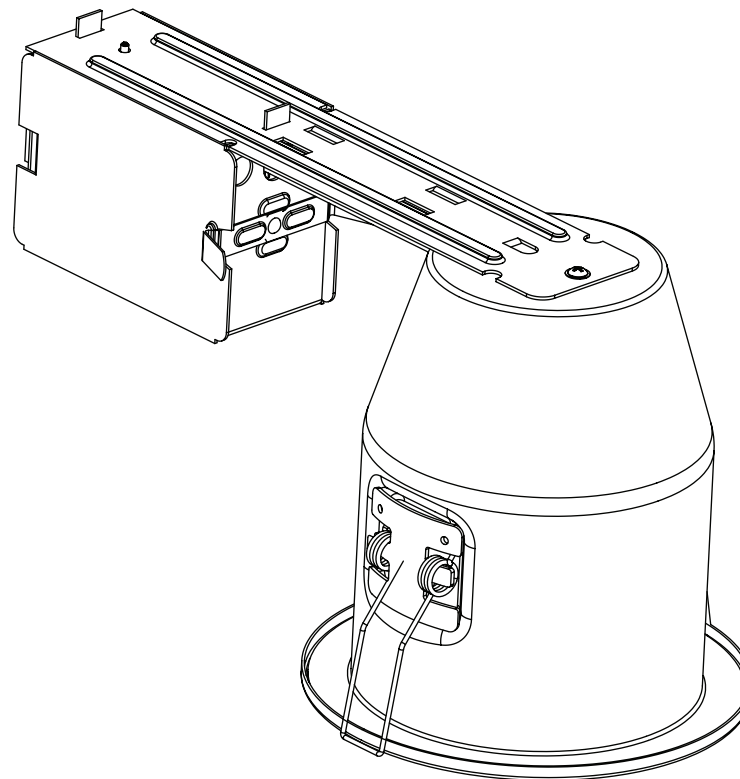
### LIMITED WARRANTY

The manufacturer warrants this lighting fixture to be free from defects in materials and workmanship for a period of two (2) year from date of purchase. This warranty applies only to the original consumer purchaser and only to products used in normal use and service. If this product is found to be defective, the manufacturer's only obligation, and your exclusive remedy, is the repair or replacement of the product at the manufacturer's discretion, provided that the product has not been damaged through misuse, abuse, accident, modifications, alterations, neglect or mishandling. This warranty shall not apply to any product that is found to have been improperly installed, set-up, or used in any way not in accordance with the instructions supplied with the product. This warranty shall not apply to a failure of the product as a result of an accident, misuse, abuse, negligence, alteration, or faulty installation, or any other failure not relating to faulty material or workmanship. This warranty shall not apply to the finish on any portion of the product, such as surface and/or weathering, as this is considered normal wear and tear. **The manufacturer does not warrant and specially disclaims any warranty, whether express or implied, of fitness for a particular purpose, other than the warranty contained herein. The manufacturer specifically disclaims any liability and shall not be liable for any consequential or incidental loss or damage, including but not limited to any labor / expense costs involved in the replacement or repair of said product.**



## INSTRUCTION MANUAL GU24 Airtight Trim and Housing Kit

Home Depot SKU (868-604) UPC (773546210379)



Thank you for purchasing this Commercial Electric GU24 Airtight Trim and Housing Kit. This product has been manufactured with the highest standards of safety and quality.

### FEATURES:

- 10,000 hour extra long bulb life
- Electronic ballast technology
- Eliminates flickering
- Cool operation
- Chrome specular interior for optimum glare control and light output

### QUESTIONS, PROBLEMS, MISSING PARTS:

Before returning to your local Home Depot, please call our Customer Service Team at 1-877-527-0313 or visit [www.homedepot.com](http://www.homedepot.com). Please reference your SKU (868-604)

### CAUTION:

1. Before starting assembly of this fixture or removal of a previous fixture, disconnect the power by turning off the appropriate switch or circuit breaker or by removing the fuse at the fuse box.
2. CONSULT A QUALIFIED ELECTRICIAN IF YOU HAVE ANY ELECTRICAL QUESTIONS.
3. If you have any non-electrical questions about this fixture, please contact our Customer Service Team at 1-877-527-0313 or visit [www.homedepot.com](http://www.homedepot.com). Please reference your SKU (868-604)
4. Keep your receipt and these Instructions for Proof of Purchase.

### TOOLS REQUIRED FOR ASSEMBLY & INSTALLATION (not included):



Light Bulb  
(included)



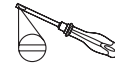
Safety goggles



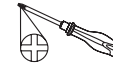
Wire Cutters



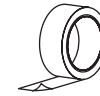
Wire Strippers



Flathead  
Screwdriver



Phillips  
Screwdriver



Electrical Tape



Ladder

## ASSEMBLY INSTRUCTIONS:

1. Turn off power at main fuse box/circuit box.
2. Remove the side flap template and discard interior circle. Hold square template up to ceiling and trace interior circle (4 1/2" diameter) onto ceiling and cut out.
3. Feed supply wire (power supply) into Junction box. The use of the appropriate connectors for the knockout hole on the connection box are recommended, but not included.
4. Connect black wire (line) of power supply to the black wire of the housing and connect the white wire (neutral) of the power supply to the white wire of the housing. Connect the bare copper (ground wire) of power supply to the bare copper wire of the housing. All wire connections should be made with wire nuts or marrettes (included) and pushed back into connection box of housing. Close panel door. NOTE: Installation of this lighting fixture must be in conformance with the electrical code of your region.
5. Remove trim from housing.
6. Insert housing through ceiling hole (junction box first). Make sure mounting clips are flush with outside of can.
7. Hold housing firmly against the ceiling and push mounting clips out and away from housing.
8. Push spring clip upwards until the housing is secured firmly to ceiling.
9. Re-insert inner trim into housing.
10. Install GU24 bulb 18W, 120V (included) into housing.

## ASSEMBLY:

FOR INSTALLATION REFERENCE ONLY

