


19251, INFLOOR,0.4W LED



PRODUCT DETAILS

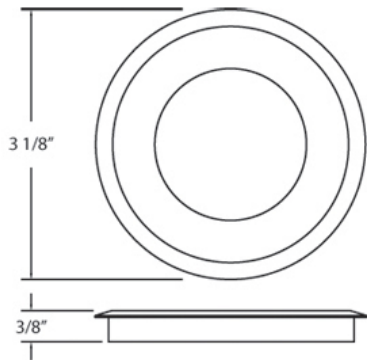
| | | |
|-----------------------|---|--------------|
| No. | : | 19251-011 |
| Product Color | : | SATIN NICKEL |
| Shade / Accent Colour | : | FROSTED |
| Diameter | : | 3.125" |
| Height | : | 0.375" |
| Weight | : | 0.3lbs |

TECHNICAL DETAILS

| | | |
|-------------------|---|---|
| Driver | : | Not Included |
| Location | : | DRY |
| Approval | : |  |
| Cut Hole Diameter | : | 2.875" |

Options Available

| ITEM NO. | FINISH | SHADE |
|-----------|--------------|---------|
| 19251-011 | SATIN NICKEL | FROSTED |



LIGHT SOURCE DETAILS

| | | |
|-------------------|---|-------|
| Number of Bulbs | : | 1 |
| Light Source | : | LED |
| Light Source Type | : | LED |
| Input Voltage | : | 120V |
| Socket Type | : | LED |
| Wattage | : | 0.4W |
| Kelvin | : | 3500K |
| Bulb Included | : | Yes |
| Dimmable | : | No |

PROJECT INFORMATION

Job Name: Date: Type:

Comments: