


21812, 1-LIGHT PULL DOWN RECESSED, 70W MH

PRODUCT DETAILS

| | | |
|---------------|---|-----------|
| No. | : | 21812-019 |
| Product Color | : | WHITE |
| Diameter | : | 6.75" |
| Height | : | 9" |

TECHNICAL DETAILS

| | | |
|-----------------------|---|---|
| Location | : | DRY |
| Approval | : |  |
| Beam Angle | : | 35 |
| Vertical Adjustment | : | 355 |
| Horizontal Adjustment | : | 86 |
| Cut Hole Diameter | : | 6.125" |

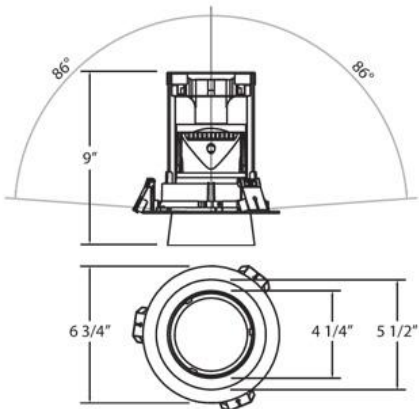
LIGHT SOURCE DETAILS

| | | |
|-------------------|---|--------------|
| Number of Bulbs | : | 1 |
| Light Source | : | Metal Halide |
| Light Source Type | : | MH |
| Input Voltage | : | 120V |
| Socket Type | : | G12 |
| Wattage | : | 70W |
| Bulb Included | : | Yes |
| Dimmable | : | No |



Options Available

| ITEM NO. | FINISH | SHADE |
|-----------|--------|-------|
| 21812-019 | WHITE | |



PROJECT INFORMATION

Job Name: Date: Type:

Comments: