

TRENTO, 15-LIGHT LINEAR CHANDELIER



PRODUCT DETAILS

| | | |
|-------------------------|---|--------------------|
| No. | : | 34032-015 |
| Product Color | : | CHAMPAGNE SILVER |
| Product Material | : | METAL |
| Shade / Accent Colour | : | CLEAR |
| Shade / Accent Material | : | HAND PRESSED GLASS |
| Length | : | 55.75" |
| Width | : | 10.5" |
| Height | : | 24.5" |
| Overall Height | : | 97.5" |
| Weight | : | 56lbs |


LIGHT SOURCE DETAILS

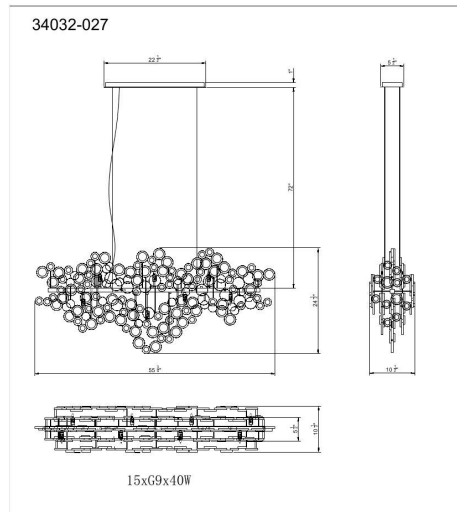
| | | |
|-------------------|---|---------|
| Number of Bulbs | : | 15 |
| Light Source | : | Halogen |
| Light Source Type | : | G9 |
| Input Voltage | : | 120V |
| Bulb Voltage | : | 120V |
| Socket Type | : | G9 |
| Wattage | : | 40W |
| Total Wattage | : | 600W |
| Bulb Included | : | Yes |
| Dimmable | : | Yes |

OPTIONS AVAILABLE

| ITEM NO. | FINISH | SHADE |
|-----------|------------------|-------|
| 34032-015 | CHAMPAGNE SILVER | CLEAR |
| 34032-027 | ANTIQUÉ GOLD | CLEAR |

TECHNICAL DETAILS

| | | |
|---------------------------|---|---|
| Hanging Support Type | : | AIRCRAFT CABLE |
| Hanging Support Length | : | 72" |
| Canopy / Backplate Length | : | 22.5" |
| Canopy / Backplate Height | : | 1" |
| Canopy / Backplate Width | : | 5.5" |
| Location | : | DRY |
| Approval | : |  |



PROJECT INFORMATION

 Job Name: Date: Type:

 Comments: