

## CLAYTON, 43" OVAL CHANDELIER



### PRODUCT DETAILS

|                         |   |                          |
|-------------------------|---|--------------------------|
| No.                     | : | 37344-016                |
| Product Color           | : | SILVER WITH BRUSHED GOLD |
| Product Material        | : | METAL                    |
| Shade / Accent Colour   | : | CLEAR                    |
| Shade / Accent Material | : | GLASS                    |
| Length                  | : | 43.25"                   |
| Width                   | : | 19.75"                   |
| Height                  | : | 13.5"                    |
| Overall Height          | : | 87"                      |
| Weight                  | : | 25.7lbs                  |


### LIGHT SOURCE DETAILS

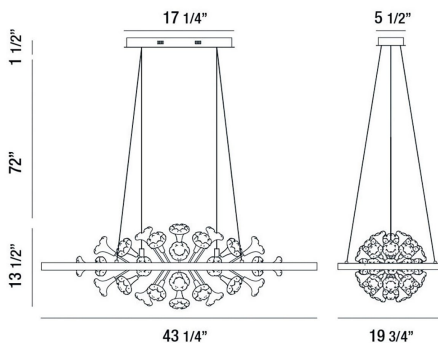
|                   |   |                |
|-------------------|---|----------------|
| Light Source Type | : | INTEGRATED LED |
| Input Voltage     | : | 120V           |
| Bulb Voltage      | : | 120V           |
| Socket Type       | : | LED            |
| Total Wattage     | : | 40W            |
| Delivered Lumens  | : | 1465lm         |
| Kelvin            | : | 3000K          |
| CRI               | : | 90+            |
| Dimmable          | : | Yes            |

### OPTIONS AVAILABLE

| ITEM NO.  | FINISH                      | SHADE |
|-----------|-----------------------------|-------|
| 37344-016 | SILVER WITH<br>BRUSHED GOLD | CLEAR |

### TECHNICAL DETAILS

|                           |   |   |
|---------------------------|---|---|
| Hanging Support Type      | : | AIRCRAFT CABLE  |
| Hanging Support Length    | : | 72"   |
| Canopy / Backplate Length | : | 17.25"  |
| Canopy / Backplate Height | : | 1.5"  |
| Canopy / Backplate Width  | : | 5.5"  |
| Approval                  | : |  |
| Title 24                  | : | Yes   |



### PROJECT INFORMATION

 Job Name:  Date:  Type: 

 Comments: