


## TE212GU10, 2-LIGHT GU10 TRIMLESS MULTIPLE RECESS

### PRODUCT DETAILS

|               |   |              |
|---------------|---|--------------|
| No.           | : | TE212GU10-01 |
| Product Color | : | BLACK        |
| Length        | : | 8.25"        |
| Width         | : | 4"           |
| Height        | : | 6.75"        |
| Weight        | : | 3lbs         |



### TECHNICAL DETAILS

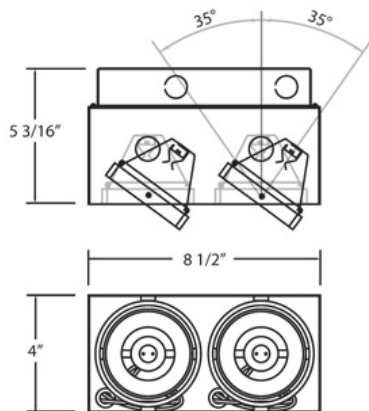
|                       |   |   |
|-----------------------|---|---|
| Location              | : | DRY   |
| Approval              | : |  |
| Horizontal Adjustment | : | 35  |
| Cut Hole Length       | : | 8.563"  |
| Cut Hole Width        | : | 4.188"  |

### Options Available

| ITEM NO.     | FINISH | SHADE |
|--------------|--------|-------|
| TE212GU10-01 | BLACK  |       |
| TE212GU10-02 | WHITE  |       |

### LIGHT SOURCE DETAILS

|                   |   |         |
|-------------------|---|---------|
| Number of Bulbs   | : | 2       |
| Light Source      | : | Halogen |
| Light Source Type | : | GU10    |
| Input Voltage     | : | 120V    |
| Socket Type       | : | GU10    |
| Wattage           | : | 50W     |
| Bulb Included     | : | No      |
| Dimmable          | : | Yes     |



### PROJECT INFORMATION

Job Name:  Date:  Type:

Comments: