


TE212, 2-LIGHT, TRIMLESS MULTIPLE RECESSED, W/TRANSFORMER



PRODUCT DETAILS

| | | |
|---------------|---|------------|
| No. | : | TE212TR-01 |
| Product Color | : | BLACK |
| Length | : | 8.5" |
| Width | : | 4" |
| Height | : | 5.1875" |

TECHNICAL DETAILS

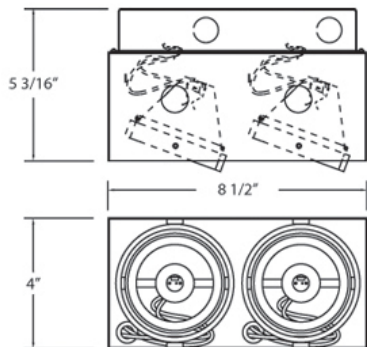
| | | |
|-----------------------|---|---|
| Location | : | DRY |
| Approval | : |  |
| Horizontal Adjustment | : | 35 |
| Cut Hole Length | : | 8.375" |
| Cut Hole Width | : | 4.188" |

Options Available

| ITEM NO. | FINISH | SHADE |
|------------|--------|-------|
| TE212TR-01 | BLACK | |
| TE212TR-02 | WHITE | |

LIGHT SOURCE DETAILS

| | | |
|-------------------|---|---------|
| Number of Bulbs | : | 2 |
| Light Source | : | Halogen |
| Light Source Type | : | MR16 |
| Input Voltage | : | 120V |
| Socket Type | : | GU5.3 |
| Wattage | : | 50W |
| Bulb Included | : | No |
| Dimmable | : | Yes |



PROJECT INFORMATION

Job Name: Date: Type:

Comments: