

19586-014 19587-011 19588-018

INSTRUCTIONS

Thank You

You've just purchased a lighting product designed and built to provide you with years of enjoyment.

Merci

Vous venez d'acheter une lumière conçue pour vous donner des années de plaisir.

Gracias

Usted acaba de adquirir un excelente producto de alumbrado diseñado y construido para proveerle muchos años de satisfacción.



SAVE THESE INSTRUCTIONS FOR FUTURE REFERENCE

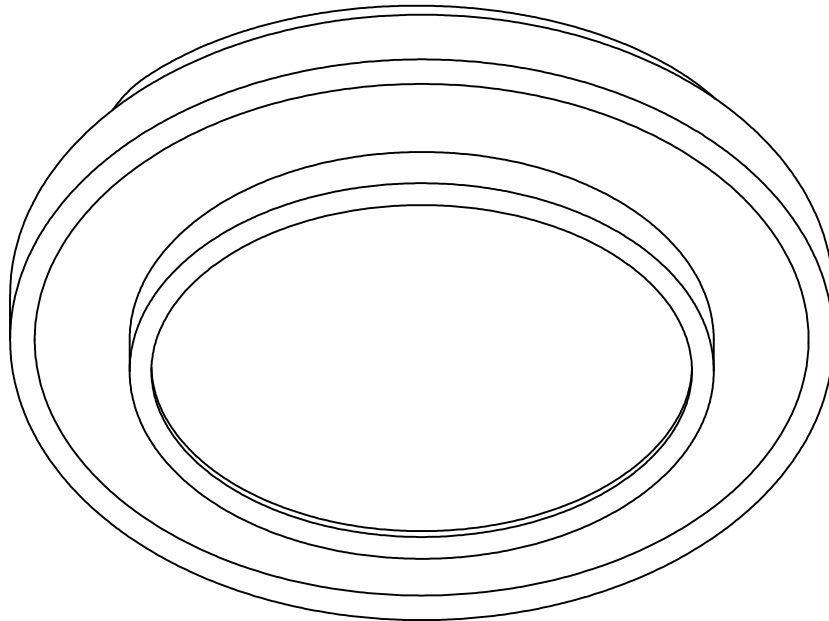
- Follow the assembly Instructions by reading the numerical progression
- Use a qualified electrician for installation of this lighting fixture.
- Before installing fixture disconnect power by turning the circuit breaker or by removing the fuse at the fuse box.
- All electrical connections must be in accordance with local and National Electrical Code or Canadian Electrical Code standards.
- Use CSA or UL listed wire connectors suitable for the gauge, type and number of conductors.
- If fixture has 2 grounding wires (one from the frame and one from the canopy) connect both wires together, and then connect them either to ground screw or ground wire of junction box, or the ground screw on the crossbar.

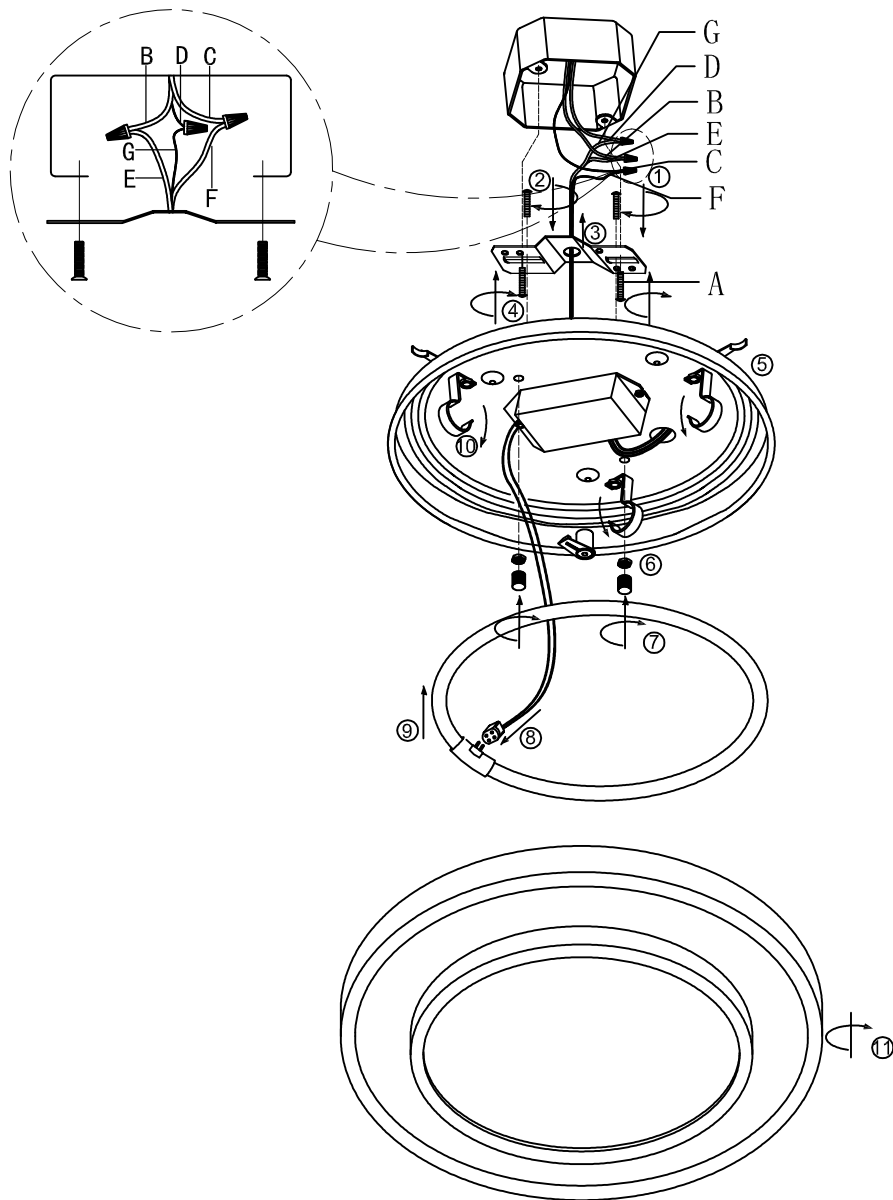
GARDEZ CES INSTRUCTIONS POUR CONSULTATION FUTURE

- Executer les operations de montage, en suivant l'ordre de numeration progressif
- Employez un électricien qualifié pour l'installation de ce luminaire.
- Coupez le courant au boîtier principal.

GUARDE ESTAS INSTRUCCIONES PARA CONSULTARLAS EN EL FUTURO

- Ejecutar las operaciones de montaje siguiendo el orden numerico progresivo
- Use un electricista certificado para la propio ensamblamento é instalacion
- Antes de instalar el accesorio, desconecte la energia apagando el interruptor o quitando el fusible en la caja principal





1x22W MAX, T5
1x32W MAX, T5
1x40W MAX, T5
 (Bulb included)

1x22W MAX, T5
1x32W MAX, T5
1x40W MAX, T5
 (l'Ampoule a inclus)

1x22W MAX, T5
1x32W MAX, T5
1x40W MAX, T5
 (Bombilla incluyó)

A-Mounting screws x 2 (provided)
 B-Black wire (L) from junction box
 C-White wire (N) from junction box
 D-Green wire/bare copper (G) from junction box
 E-Black wire from fixture
 F-White wire from fixture
 G-Bare wire from fixture

A-Vis de support x 2 (fournies)
 B-Câble noir (L) de la boîte de raccordement
 C-Câble blanc (N) de la boîte de raccordement
 D-Câble vert/Cuivre nu (G) de la boîte de raccordement
 E-Câble noir de l'installation
 F-Câble blanc de l'installation
 G-Câble un de l'installation

A-(2)tornillos de montaje (incluidos)
 B-Cable negro (L) de la caja de conexiones
 C-Cable blanco (N) de la caja de conexiones
 D-Cable verde/cobre pelado (G) de la caja de conexiones
 E-Cable negro del aditamento
 F-Cable blanco del aditamento
 G-Cable pelado del aditamento