

# INSTALLATION AND SERVICE INSTRUCTIONS

## SM106/706/707/708/109/766/767/768/116/311/313

### GENERAL :

**READ CAREFULLY BEFORE INSTALLING FIXTURE. RETAIN FOR FUTURE REFERENCE.**

Upon receipt the fixture, thoroughly inspect for any freight damage which should be brought to the attention of the delivery carrier. Compare the catalog description listed on the packing slip with the fixture label on the housing to assure you have received material.

### AVERTISSEMENT:

S'assurer que toute alimentation possible est COUPÉE avant de commencer l'installation ou l'entretien.  
Tout le câblage doit être fait par un électricien certifié.

**NOTE:** This fixture must be wired in accordance with the international electrical code and applicable local codes and ordinances. Proper grounding is required to insure personal safety. Carefully observe the correct grounding procedure under installation section.

Disconnect Power at fuse or circuit breaker panel or fuse box before installing or servicing.

### INSTALLATION :

1. Open the lens assembly and then remove the reflector:
2. Prepare the back plate for mounting by drilling or knocking out the appropriate holes. ( Fig. 2 ).
3. Line up the back plate in desired location and mount securely.
4. Complete the wiring to the power source and ground.
5. Reassemble the reflector, set socket mounting. Install lamp and mount the lens assembly.

### MOUNTING :

The back plate has a cast-in drill and knock-out template to match any standard recessed junction box, three 5/16" knockouts for mounting holes A and three 1/2" NPS tapped holes D for surface conduit, photocontrol.

- A – 5/16" dia. Knockouts
- B – 9/16" dia. Knockouts.
- C – Knockouts for #10 screw.
- D – 1/2" NPS tapped holes.

### IMPORTANT:

To weather-proof your outdoor installation, be sure to seal all holes in fixture housing. ( mounting, conduit, plugs, photocontrols, etc. ) with silicone sealant.

### WIRING :

**Set Ballast Voltage** – See the ballast wiring label and the rating label to locate the power tap to the appropriate voltage tap. If supplied with a single voltage tap, make sure the voltage furnished the fixture is the same as specified on the unit.

### NOTE:

1. Make sure all unused ballast taps are capped to avoid a short circuit to the reflector when the fixture is energized.
2. Ensure ballast ground wire and housing ground wire are connecting to incoming supply ground.

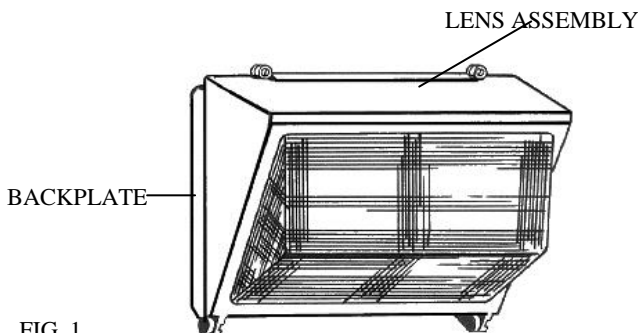


FIG. 1

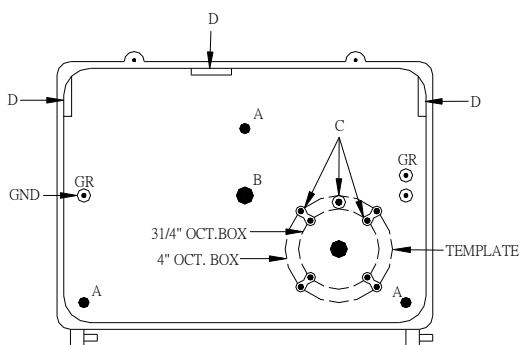


FIG.2

### REPLACING LAMP :

- DISCONNECT ELECTRICAL CIRCUIT BEFORE REPLACING LAMP.

1. Release the screws and open the door frame.
2. Replace with the correct lamp.
3. Close the door frame by tightening the screws.

### TROUBLE SHOOTING CHECK LIST : If the light does not work.

- |   |                               |
|---|-------------------------------|
| Check your power source.                | Check electrical connections. |
| Check to insure proper seating of lamp. | Check if lamp burned out.     |