

## 19159, TRIM, 4IN PINHOLE



### PRODUCT DETAILS

|               |   |          |
|---------------|---|----------|
| No.           | : | 19159-03 |
| Product Color | : | GOLD     |
| Diameter      | : | 5"       |
| Height        | : | 1.875"   |
| Weight        | : | 3.8lbs   |


### LIGHT SOURCE DETAILS

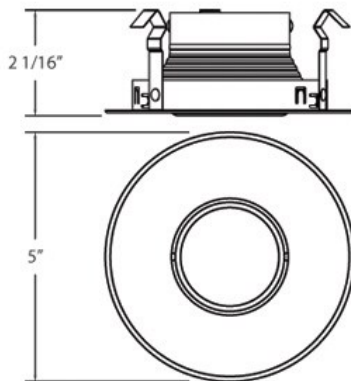
|                   |   |                   |
|-------------------|---|-------------------|
| Number of Bulbs   | : | 1 / 1             |
| Light Source      | : | Halogen / Halogen |
| Light Source Type | : | MR16 / GU10       |
| Input Voltage     | : | 120 / 120V        |
| Bulb Voltage      | : | 120V              |
| Socket Type       | : | /                 |
| Wattage           | : | 50 / 50W          |
| Total Wattage     | : | 50 / 50W          |
| Bulb Included     | : | No / No           |
| Dimmable          | : | Yes / Yes         |

### Options Available

| ITEM NO. | FINISH        | SHADE |
|----------|---------------|-------|
| 19159-03 | GOLD          |       |
| 19159-04 | SATIN NICKEL  |       |
| 19159-05 | CHROME        |       |
| 19159-06 | ANTIQUÉ BRASS |       |
| 19159-08 | SATIN COPPER  |       |
| 19159-09 | BRONZE        |       |

### TECHNICAL DETAILS

|                      |   |   |
|----------------------|---|---|
| Light Direction      | : | Down  |
| Adjustable Lamp Head | : | No  |
| Approval             | : |  |
| Beam Angle           | : | 15  |
| Cut Hole Diameter    | : | 4.375"  |



### PROJECT INFORMATION

 Job Name:     Date:     Type: 

 Comments: