

EOS, EOS 330,E26



PRODUCT DETAILS

| | | |
|-----------------------|---|-----------|
| No. | : | 23893-016 |
| Product Color | : | CLEAR |
| Shade / Accent Colour | : | FROSTED |
| Diameter | : | 13" |
| Ext | : | 4.25" |


LIGHT SOURCE DETAILS

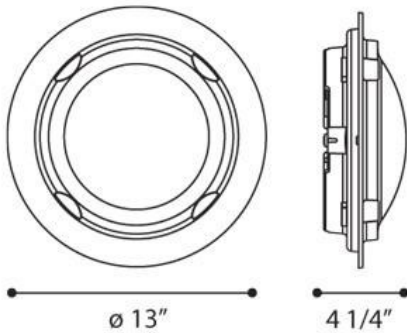
| | | |
|-------------------|---|--------------|
| Number of Bulbs | : | 1 |
| Light Source | : | Incandescent |
| Light Source Type | : | A19 |
| Input Voltage | : | 120V |
| Bulb Voltage | : | 120V |
| Socket Type | : | E26 |
| Wattage | : | 100W |
| Total Wattage | : | 100W |
| Bulb Included | : | No |
| Dimmable | : | Yes |

Options Available

| ITEM NO. | FINISH | SHADE |
|-----------|--------|---------|
| 23893-016 | CLEAR | FROSTED |

TECHNICAL DETAILS

| | | |
|----------------------|---|---|
| Light Direction | : | Down |
| Adjustable Lamp Head | : | No |
| IP Rating | : | 44 |
| Location | : | DRY |
| Approval | : |  |



PROJECT INFORMATION

 Job Name: Date: Type:

 Comments: