

MANCHESTER, WALL MOUNT



PRODUCT DETAILS

| | | |
|-------------------------|---|------------------|
| No. | : | 34092-026 |
| Product Color | : | SATIN NICKEL |
| Product Material | : | METAL |
| Shade / Accent Colour | : | CLEAR/OPAL WHITE |
| Shade / Accent Material | : | GLASS |
| Width | : | 12.75" |
| Height | : | 11.25" |
| Ext | : | 6.75" |
| Weight | : | 3.8lbs |

LIGHT SOURCE DETAILS

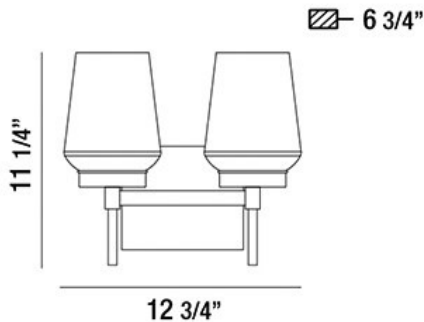
| | | |
|-------------------|---|--------------|
| Number of Bulbs | : | 2 |
| Light Source | : | Incandescent |
| Light Source Type | : | A19 |
| Input Voltage | : | 120V |
| Bulb Voltage | : | 120V |
| Socket Type | : | E26 |
| Wattage | : | 60W |
| Total Wattage | : | 120W |
| Bulb Included | : | No |
| Dimmable | : | Yes |

Options Available

| ITEM NO. | FINISH | SHADE |
|-----------|--------------|---------------------|
| 34092-019 | BRASS | CLEAR/OPAL WHITE |
| 34092-026 | SATIN NICKEL | CLEAR/OPAL WHITE |

TECHNICAL DETAILS

| | | |
|---------------------------|---|---|
| Canopy / Backplate Length | : | 6.5" |
| Canopy / Backplate Height | : | 5.5" |
| Mounting | : | Up |
| Location | : | DAMP |
| Approval | : |  |



PROJECT INFORMATION

 Job Name: Date: Type:

 Comments: