

TE114, 4-LIGHT, MULTIPLE RECESSED, MR16



PRODUCT DETAILS

No.	:	TE114B-02
Product Color	:	WHITE
Shade / Accent Colour	:	BLACK
Length	:	10.5"
Width	:	10.5"
Height	:	6"


LIGHT SOURCE DETAILS

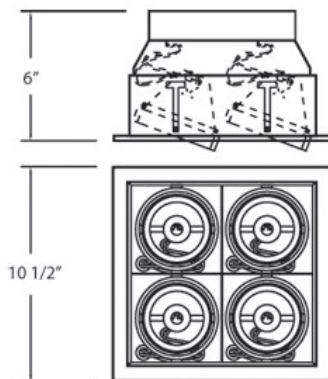
Number of Bulbs	:	4
Light Source	:	Halogen
Light Source Type	:	MR16
Input Voltage	:	120V
Bulb Voltage	:	12V
Socket Type	:	GU5.3
Wattage	:	50W
Total Wattage	:	200W
Bulb Included	:	No
Dimmable	:	Yes

Options Available

ITEM NO.	FINISH	SHADE
TE114B-02	WHITE	BLACK
TE114B-0N	BLACK	PLATINUM
TE114B-22	WHITE	WHITE

TECHNICAL DETAILS

Location	:	DRY
Approval	:	
Horizontal Adjustment	:	35
Cut Hole Length	:	9.5"
Cut Hole Width	:	9.5"



PROJECT INFORMATION

Job Name: Date: Type:

Comments: