

## TE114, 4-LIGHT, MULTIPLE RECESSED, MR16



### PRODUCT DETAILS

|                       |   |           |
|-----------------------|---|-----------|
| No.                   | : | TE114B-22 |
| Product Color         | : | WHITE     |
| Shade / Accent Colour | : | WHITE     |
| Length                | : | 10.5"     |
| Width                 | : | 10.5"     |
| Height                | : | 6"        |


### LIGHT SOURCE DETAILS

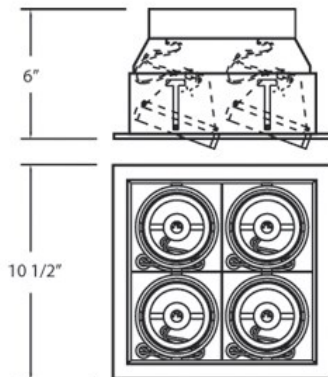
|                   |   |         |
|-------------------|---|---------|
| Number of Bulbs   | : | 4       |
| Light Source      | : | Halogen |
| Light Source Type | : | MR16    |
| Input Voltage     | : | 120V    |
| Bulb Voltage      | : | 12V     |
| Socket Type       | : | GU5.3   |
| Wattage           | : | 50W     |
| Total Wattage     | : | 200W    |
| Bulb Included     | : | No      |
| Dimmable          | : | Yes     |

### Options Available

| ITEM NO.  | FINISH | SHADE    |
|-----------|--------|----------|
| TE114B-02 | WHITE  | BLACK    |
| TE114B-0N | BLACK  | PLATINUM |
| TE114B-22 | WHITE  | WHITE    |

### TECHNICAL DETAILS

|                       |   |   |
|-----------------------|---|---|
| Location              | : | DRY   |
| Approval              | : |  |
| Horizontal Adjustment | : | 35  |
| Cut Hole Length       | : | 9.5"  |
| Cut Hole Width        | : | 9.5"  |



### PROJECT INFORMATION

Job Name:  Date:  Type:

Comments: