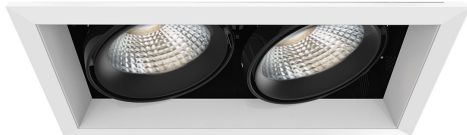


TE132LED, 2-LIGHT LED MULTIPLE RECESS



PRODUCT DETAILS

No.	:	TE132LED-35-2-02
Product Color	:	WHITE
Shade / Accent Colour	:	BLACK
Length	:	13.4375"
Width	:	7.75"
Height	:	7"
Weight	:	5lbs


LIGHT SOURCE DETAILS

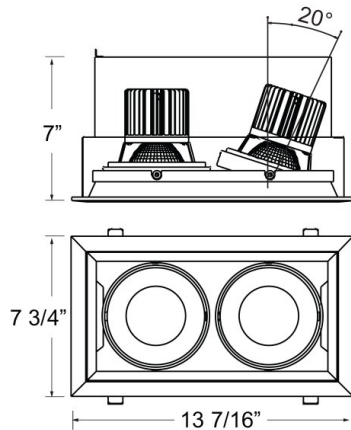
Light Source Type	:	INTEGRATED LED
Input Voltage	:	120V
Bulb Voltage	:	120V
Socket Type	:	LED
Total Wattage	:	52W
Total Lumen	:	5000lm
Kelvin	:	3500K
CRI	:	90
Dimmable	:	Yes

Options Available

ITEM NO.	FINISH	SHADE
TE132LED-35-2-01	BLACK	BLACK
TE132LED-35-2-02	WHITE	BLACK
TE132LED-35-2-22	WHITE	WHITE

TECHNICAL DETAILS

Driver	:	Inventronics 35W Driver
Location	:	DRY
Approval	:	
Title 24	:	Yes
Beam Angle	:	20
Cut Hole Length	:	12.5"
Cut Hole Width	:	6.75"



PROJECT INFORMATION

 Job Name: Date: Type:

 Comments: