



INSTALLATION INSTRUCTIONS FOR AL-18 NATURAL GAS OR PROPANE TIKI TORCH

INSPECTED BY:

WARNING:
THIS IS AN OPEN FLAME FIXTURE.
DO NOT STORE OR USE GASOLINE OR OTHER FLAMMABLE VAPORS/LIQUIDS IN THE VICINITY OF TIKI TORCH.

If you smell gas:

- Extinguish any open flame
- Do not light any other appliance or Tiki Torch
- Call gas supplier immediately from a neighbor's phone.

BTU/HOUR INFORMATION:

AL-18-xx-NG models use **Natural Gas**
22,500 btu/hour - normal inlet pressure 7" water column
AL-18-xx-P models use **Propane**
17,000 btu/hour - normal inlet pressure 11" water column

CAUTION:

Ensure manual gas valve is completely closed after shutdown.

Improper installation, adjustment, alteration, or service can cause injury and/or property damage. For assistance or additional safety information consult a qualified installer.

Tiki Torch is a direct match ignition. If unsupervised gas flow is detected **DO NOT LIGHT**. Shut off the manual valve and wait 5 minutes before re-lighting.

CLEARANCES

- Minimum of four (4) feet around combustible walls, plants, etc.
- No obstructions overhead such as roof overhangs, patio covers, tree limbs, etc.
- For burn hazard potential, bottom of torch body **MUST** be no lower than 6.5 feet from any type of flooring and no greater than 7.5 feet.

INSTALLATION

The gas supply lines must meet the requirements of the latest National Fuel Gas Code (ANSI Z223.1) Check that a proper gas pressure regulator is supplied upstream of the whole assembly to maintain proper gas flow and pressure.

1" diameter galvanized steel pipe and gas ball valve supplied by others. See attached diagrams for installation details.

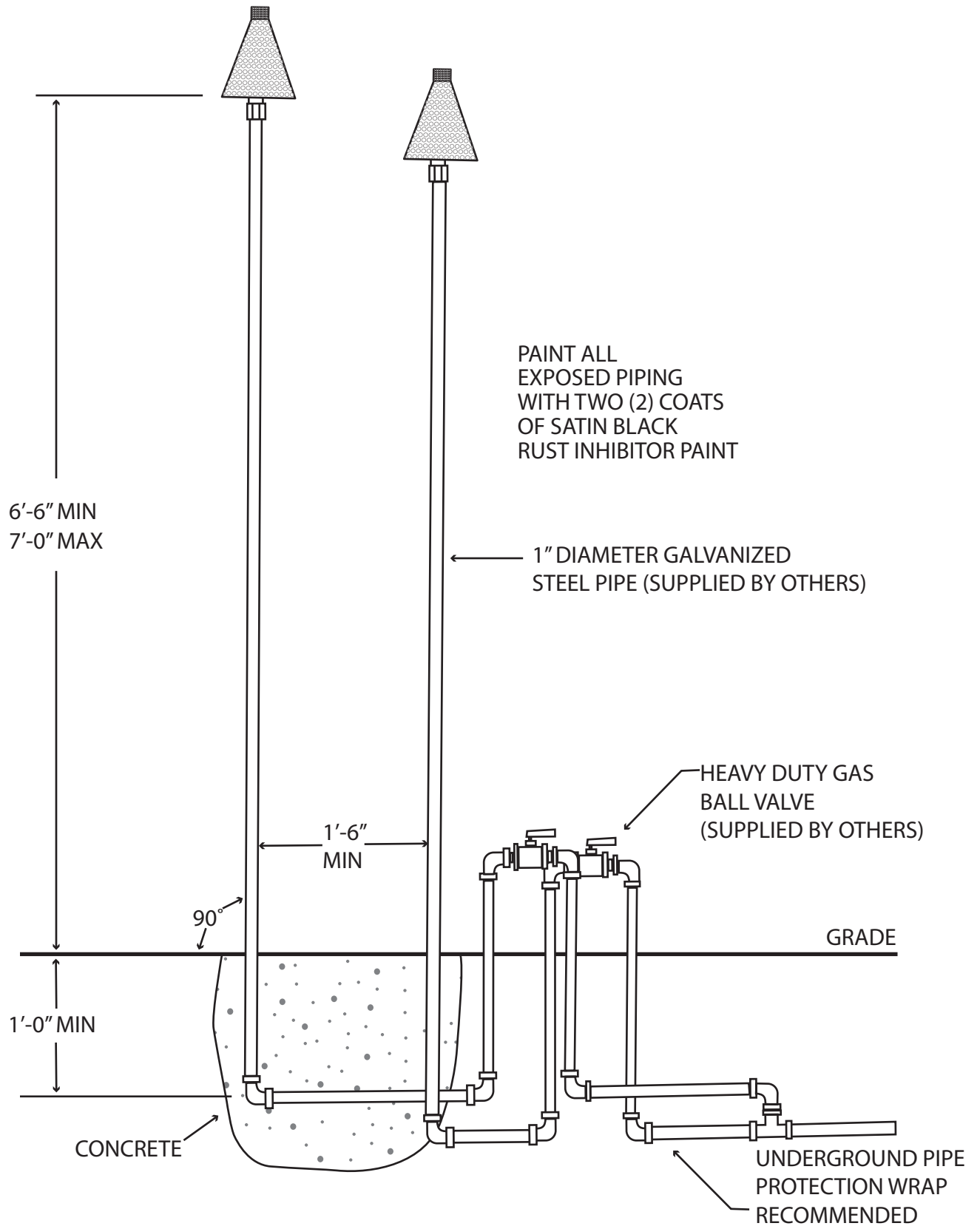
LIGHTING & SHUT DOWN

Turn on manual gas valve at Tiki Torch base. Allow gas to flow for 2-3 seconds. Using an extended match or extended lighter, touch stainless steel diffuser screen at top of torch with lit match or lighter.

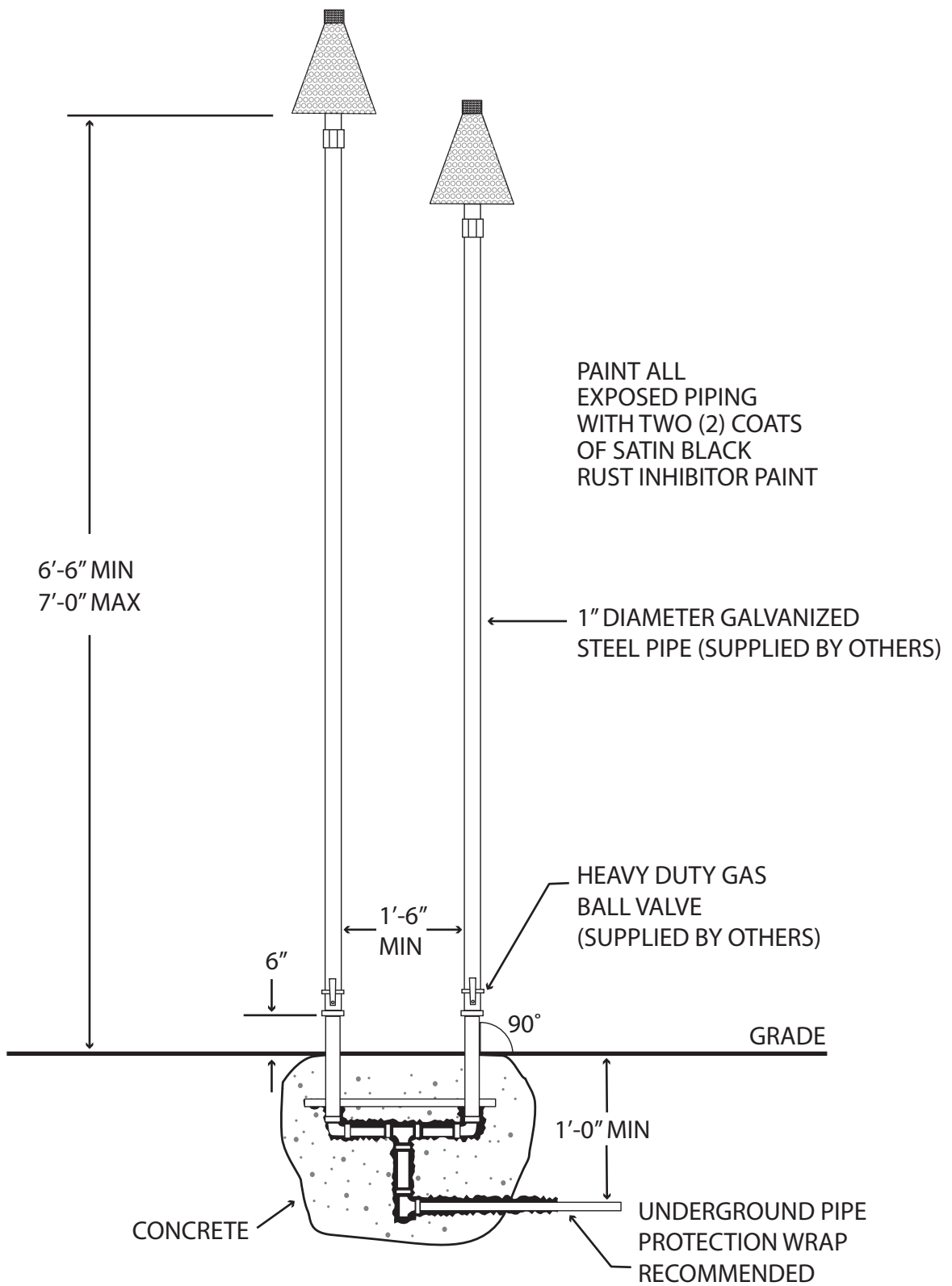
To shut down, close the manual valve all the way and ensure it is completely closed.

PRECAUTIONS

- Each torch requires a specific orifice for Natural Gas or Propane. Orifice is stamped with "N" for Natural Gas or "P" for propane. Call Focus Industries before attempting to convert gas type.
- Shut down Tiki Torch in the event of moderate to severe storm conditions.
- Ensure rigidity of the steel pipe conduit/support with another anchored device. **DO NOT** install Tiki Torch in a location where the general public or heavy objects may lean or bump into any part of the Tiki Torch housing, pipe and valve.
- Keep the 4 small holes in the bottom plate of housing free of debris and insects. These holes are for supplementary air and for water drainage.
- Tiki Torch housing can become very hot after long operation. Use caution around Tiki Torch to avoid burns.
- The flame should appear yellow with some blue at the base of the flame. This indicates that fuel is burning properly and there are diminished amounts of dangerous burned particles of combustion.
- Natural Gas requires normal inlet pressure 7" water column.
- Propane requires normal inlet pressure of 11" water column.
- For replacement parts or questions please contact Focus Industries at 888.882.1350



PLEASE CONSULT A LICENSED PLUMBER FOR GAS PIPE LAYOUT AND INSTALLATION



PLEASE CONSULT A LICENSED PLUMBER FOR GAS PIPE LAYOUT AND INSTALLATION