



landscape • entertainment • architectural • hospitality • illumination

# FA-TB2A Tree Mount Bracket





# MOUNTING ACCESSORIES

## FA-TB2A

TYPE

### SPECIFICATIONS

**CONSTRUCTION:** Machined aluminum or brass tree mount bracket with matching thumbscrew will accommodate 1/2"NPS swivel.

**MOUNTING:** 2x Hanger bolts, stainless steel, 1/4-20x3"

4x Hex nut, stainless steel, 1/4-20

1x Thumbscrew, 8-32x5/16"

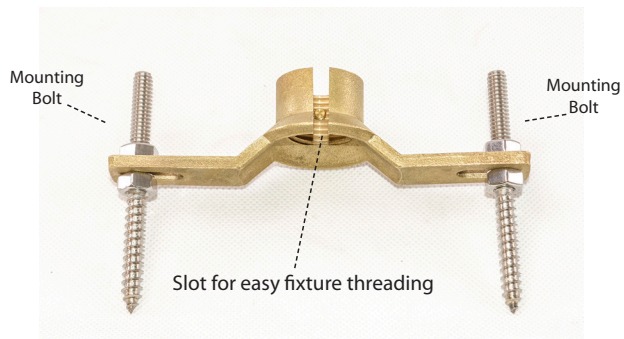
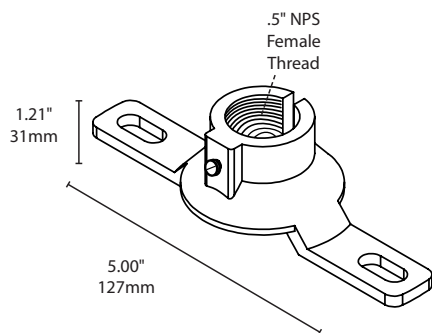
**FINISH:** Aluminum - Black texture polyester powder coat. Optional finishes available  
Brass - Unfinished. Optional finishes available

### ORDERING INFORMATION

CATALOG NO.	DESCRIPTION	SHIP WEIGHT
FA-TB2A-BLT	Aluminum tree mount bracket	1.0 lbs.
FA-TB2A-BRS	Brass tree mount bracket,	1.0 lbs.



Shown with RXD10BRS



JOB INFORMATION	
Type:	Date:
Job Name:	
Cat. No.:	
Lamp(s):	
Specifier:	
Contractor:	
Notes:	
<b>FOCUS INDUSTRIES INC.</b> 25301 COMMERCENTRE DRIVE LAKE FOREST, CA 92630	
www.focusindustries.com sales@focusindustries.com (949) 830-1350 • FAX (949) 830-3390	



Black Texture (Standard)	Antique Verde	Bronze Texture	Camel	White Texture	Hunter Texture	Rust	Weathered Iron	Weathered Brown	Stucco	Rubbed Verde	Chrome Powder	Terra Cotta	Acid Rust	Acid Verde	Black Acid Treatment
-BLT	-ATV	-BRT	-CAM	-WTX	-HTX	-RST	-WIR	-WBR	-STU	-RBV	-CPR	-TRC	-BAR/CAR	-BAV/CAV	-BAT