



TRANSFORMER HW-12-75

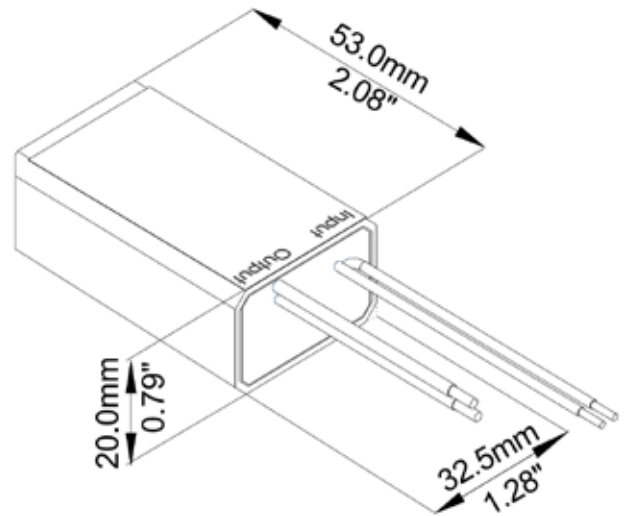
TYPE

For powering Incandescent, Halogen and Xenon 12v Light Bulbs.

IMPORTANT: Do not use to power Focus LED light sources or LED drivers.
If using other manufacturers LED light source, check with manufacturer for compatibility.

SPECIFICATIONS

Type:	Electronic
Power:	75w
Power factor:	0.95
Input current:	0.635 A
Input frequency:	50/60 Hz
Input Voltage:	120v
Output Voltage:	11.7v
Output current range:	6350mA
Dimmable:	Yes
Potted:	Yes
Input wire size:	18 AWG
Output wire size:	14 AWG
Input wires color:	Black/White
Output wires color:	Blue



ORDERING INFORMATION

CATALOG NO.	DESCRIPTION	NUMBER OF CIRCUITS
HW-12-75	75 watt Electronic Transformer	1



JOB INFORMATION	
Type:	Date:
Job Name:	
Cat. No.:	
Lamp(s):	
Specifier:	
Contractor:	
Notes:	
FOCUS INDUSTRIES INC. 25301 COMMERCENTRE DRIVE LAKE FOREST, CA 92630	
www.focusindustries.com sales@focusindustries.com (949) 830-1350 • FAX (949) 830-3390	