



landscape • entertainment • architectural • hospitality • illumination

PL-23-S SERIES PATH/AREA LIGHT





PATH/AREA LIGHTS PL-23-S SERIES

TYPE

SPECIFICATIONS

CONSTRUCTION: Extruded 2.25" square aluminum or brass.

-**S2W** models have 2, 6" light openings

-**S3W** models have 3, 6" light openings

-**S4W** models have 4, 6" light openings

LED PANEL: 12v, 4w, 300 lumen integrated LED flat panel, warm white 3000K (-LEDP); optional cool white 5200K 320 lumen available (modify part number to -LEDP52)

LED LIFETIME RATING: 50,000 Hours

LED INTERNAL DRIVER*: 5w 350mA output, 12v AC input. Voltage range of 10 to 15 volts. For use with magnetic transformers only.

WIRING: Black 3 foot 18/2 zip cord from base of fixture (12v only)
For 25 foot 16/2 fixture lead wire add -25F to catalog number.

CONNECTION: FA-05 Quick Connector (not supplied) from fixture to main cable (12/2, 10/2 or 8/2 only)

MOUNTING: FA-03-LG black 9" ABS stake, tapped 1/2" NPS

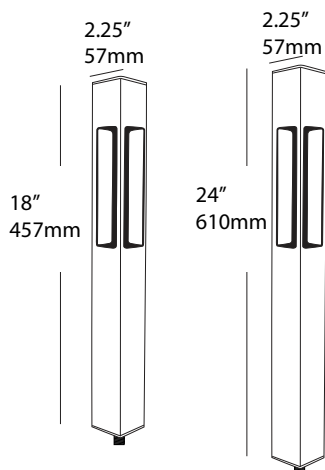
FINISH: Aluminum - Black texture polyester powder coat. Optional finishes available
Brass - Unfinished brass. Optional finishes available

***NOTE:** Optional External 120v to 277v LED available.



ORDERING INFORMATION

CATALOG NO.	DESCRIPTION	LAMP	SHIP WEIGHT
PL-23-S2WDM-18-LEDP-BLT	18" Aluminum Bollard w/2 Light Openings	4w LED Panel	3.0 lbs.
PL-23-S2WDM-18-LEDP-BRS	18" Brass Bollard w/2 Light Openings	4w LED Panel	6.0 lbs.
PL-23-S2WDM-24-LEDP-BLT	24" Aluminum Bollard w/2 Light Openings	4w LED Panel	3.0 lbs.
PL-23-S2WDM-24-LEDP-BRS	24" Brass Bollard w/2 Light Openings	4w LED Panel	3.0 lbs.
PL-23-S3WDM-18-LEDP-BLT	18" Aluminum Bollard w/3 Light Openings	4w LED Panel	3.0 lbs.
PL-23-S3WDM-18-LEDP-BRS	18" Brass Bollard w/3 Light Openings	4w LED Panel	3.0 lbs.
PL-23-S3WDM-24-LEDP-BLT	24" Aluminum Bollard w/3 Light Openings	4w LED Panel	3.0 lbs.
PL-23-S3WDM-24-LEDP-BRS	24" Brass Bollard w/3 Light Openings	4w LED Panel	3.0 lbs.
PL-23-S4WDM-18-LEDP-BLT	18" Aluminum Bollard w/4 Light Openings	4w LED Panel	3.0 lbs.
PL-23-S4WDM-18-LEDP-BRS	18" Aluminum Bollard w/4 Light Openings	4w LED Panel	3.0 lbs.
PL-23-S4WDM-24-LEDP-BLT	24" Aluminum Bollard w/4 Light Openings	4w LED Panel	3.0 lbs.
PL-23-S4WDM-24-LEDP-BRS	24" Brass Bollard w/4 Light Openings	4w LED Panel	3.0 lbs.



JOB INFORMATION	
Type:	Date:
Job Name:	
Cat. No.:	
Lamp(s):	
Specifier:	
Contractor:	
Notes:	
FOCUS INDUSTRIES INC. 25301 COMMERCENTRE DRIVE LAKE FOREST, CA 92630	
www.focusindustries.com sales@focusindustries.com (949) 830-1350 • FAX (949) 830-3390	

Black Texture (Standard)	Antique Verde	Bronze Texture	Camel	White Texture	Hunter Texture	Rust	Weathered Iron	Weathered Brown	Stucco	Rubbed Verde	Chrome Powder	Acid Rust	Acid Verde	Black Acid Treatment
-BLT	-ATV	-BRT	-CAM	-WTX	-HTX	-RST	-WIR	-WBR	-STU	-RBV	-CPR	-BAR/CAR	-BAV/CAV	-BAT



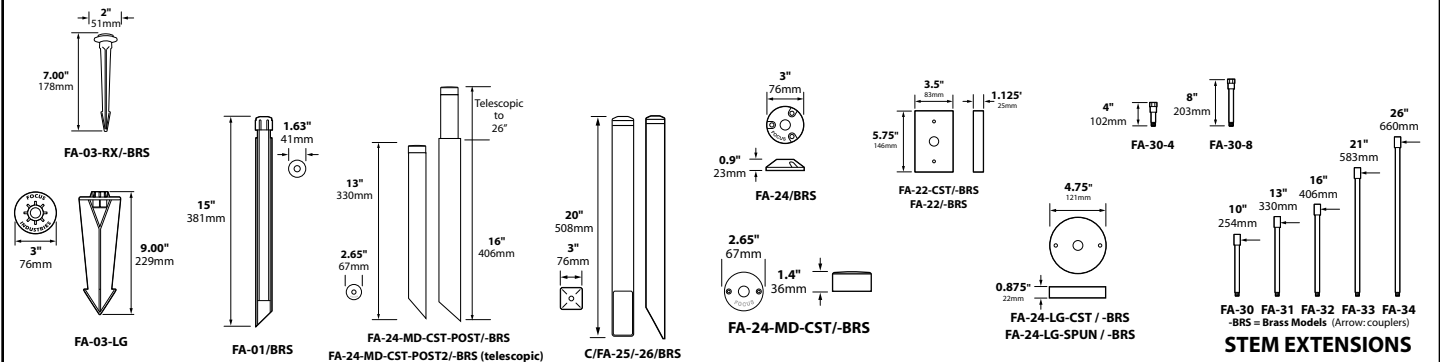
PATH/AREA LIGHTS PL-23-3L/-4L SERIES



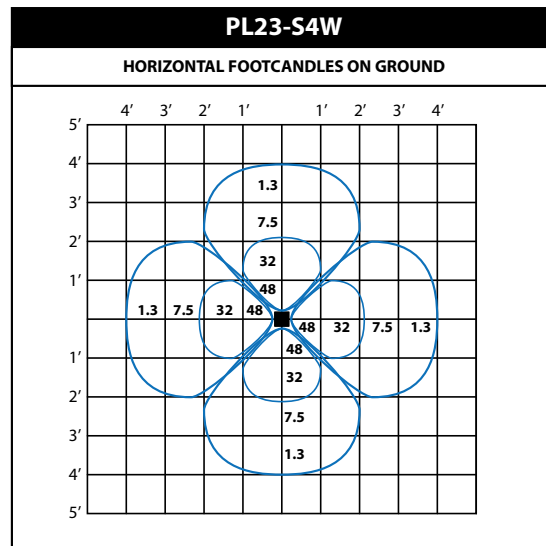
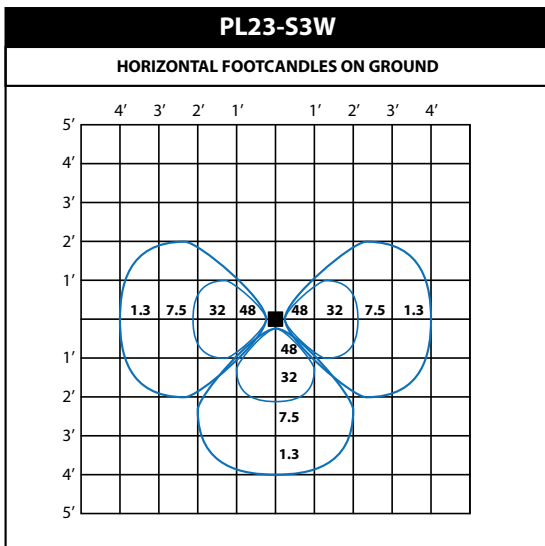
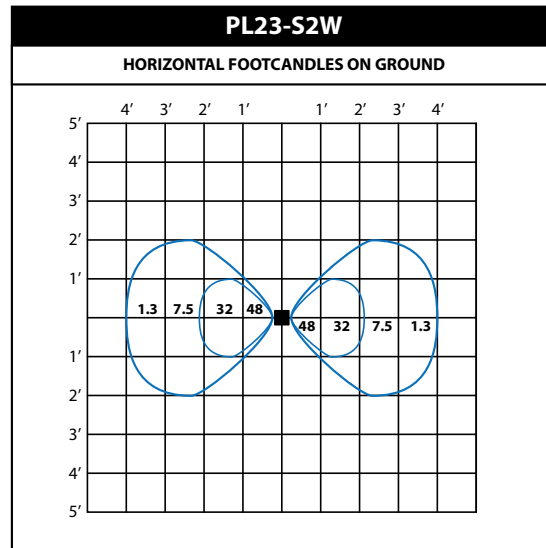
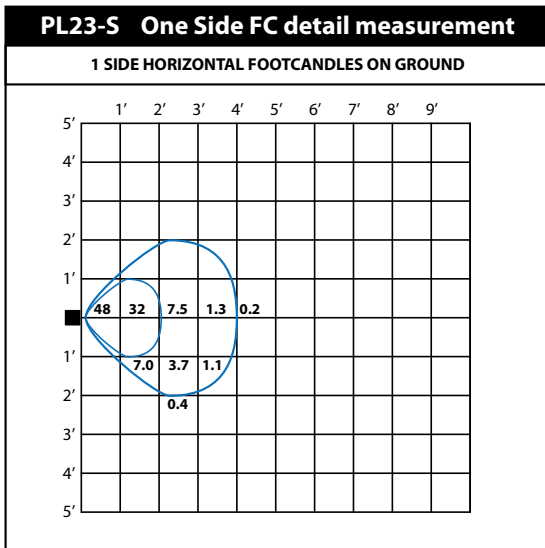
TYPE



MOUNTING ACCESSORIES



LIGHT DISTRIBUTIONS AND PHOTOMETRICS



Black Texture (Standard)	Antique Verde	Bronze Texture	Camel	White Texture	Hunter Texture	Rust	Weathered Iron	Weathered Brown	Stucco	Rubbed Verde	Chrome Powder	Acid Rust	Acid Verde	Black Acid Treatment
-BLT	-ATV	-BRT	-CAM	-WTX	-HTX	-RST	-WIR	-WBR	-STU	-RBV	-CPR	-BAR/CAR	-BAV/CAV	-BAT