



landscape • entertainment • architectural • hospitality • illumination

SL-60 SERIES STEP LIGHT





LED STEP LIGHTS SL-60 SERIES

GO GREEN

TYPE

SPECIFICATIONS

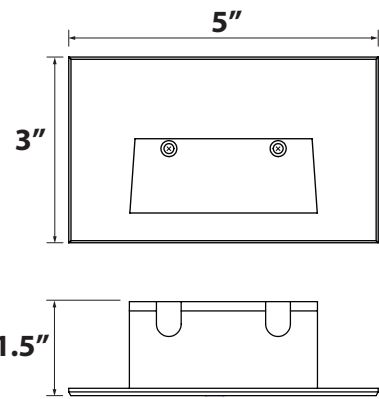
CONSTRUCTION: Die Cast Aluminum, Brass or Stainless Steel step light
LIGHT SOURCE: Integrated 12v 3w LED or 120v 4w LED with Driver On Board (No need for separate LED driver); 200 Lumens, warm white 3000K
LIFETIME RATING: 50,000 hours
SOCKET: None
GASKET: Black neosponge closed cell; .190" thickness
WIRING 12V: 6" black 18 gauge zip cord.
WIRING 120V: Standard Black (line), White (neutral), Green (ground)

SINGLE GANG BOX: Focus FA-SG-BOX fiberglass box included.
 Fixture insert only without Back Box is available (SL60NB) if back box is supplied by others or is already installed;
NOTE: If box is supplied by others it must have minimum inside dimensions of 3"(l) x 2"(w) x 2.5"(d) and plate mounting holes 3.22" to 3.30" apart on center.

MOUNTING: Stainless Steel bracket and hardware for mounting in single gang junction box; Face plate attaches to bracket with two provided screws
FINISH: Aluminum - Black texture polyester powder coat; optional finishes available
 Brass - Unfinished; optional finishes available
 Stainless Steel-Brushed



SL-60-LED12VBLT



SL60NB insert

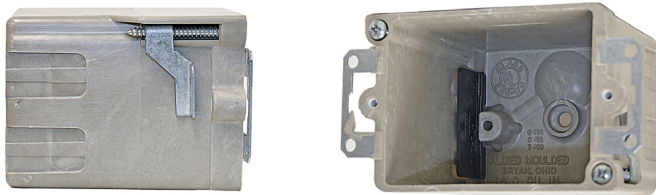
ORDERING INFORMATION

CATALOG NO.	DESCRIPTION	LIGHT SOURCE	WEIGHT
SL60-LED12V-BLT	12v Aluminum LED Step Light	3w LED Module	2.0 lbs.
SL60-LED12V-BRS	12v Brass LED Step Light	3w LED Module	3.0 lbs.
SL60-LED12V-SS	12v Stainless LED Step Light	3w LED Module	2.0 lbs.
SL60-LED120-BLT	120v Aluminum LED Step Light	4w LED Module	2.0 lbs.
SL60-LED120-BRS	120v Brass LED Step Light	4w LED Module	3.0 lbs.
SL60-LED120-SS	120v Stainless LED Step Light	4w LED Module	2.0 lbs.

NO BACK BOX MODELS:

SL60NB-LED12V-BLT	12v Aluminum LED Step Light Insert	3w LED Module	2.0 lbs.
SL60NB-LED12V-BRS	12v Brass LED Step Light Insert	3w LED Module	3.0 lbs.
SL60NB-LED12V-SS	12v Stainless LED Step Light Insert	3w LED Module	2.0 lbs.
SL60NB-LED120-BLT	120v Aluminum LED Step Light Insert	4w LED Module	2.0 lbs.
SL60NB-LED120-BRS	120v Brass LED Step Light Insert	4w LED Module	3.0 lbs.
SL60NB-LED120-SS	120v Stainless LED Step Light Insert	4w LED Module	2.0 lbs.

FASG-BOX Plastic Single Gang Box only 1.0 lbs.



FA-SG-BOX Single Gang Box



JOB INFORMATION	
Type:	Date:
Job Name:	
Cat. No.:	
Lamp(s):	
Specifier:	
Contractor:	
Notes:	
FOCUS INDUSTRIES INC. 25301 COMMERCENTRE DRIVE LAKE FOREST, CA 92630	
www.focusindustries.com sales@focusindustries.com (949) 830-1350 • FAX (949) 830-3390	

Black Texture (Standard)	Antique Verde	Bronze Texture	Camel	White Texture	Hunter Texture	Rust	Weathered Iron	Weathered Brown	Stucco	Rubbed Verde	Chrome Powder	Acid Rust	Acid Verde	Black Acid Treatment
-BLT	-ATV	-BRT	-CAM	-WTX	-HTX	-RST	-WIR	-WBR	-STU	-RBV	-CPR	-BAR/CAR	-BAV/CAV	-BAT

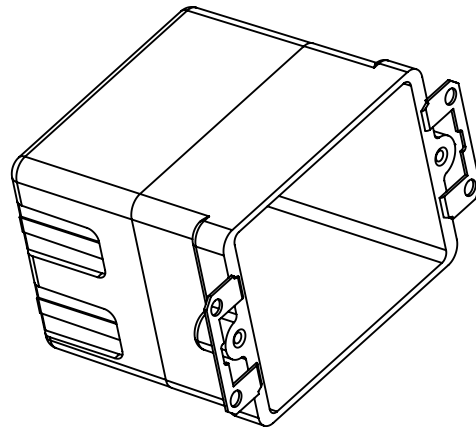
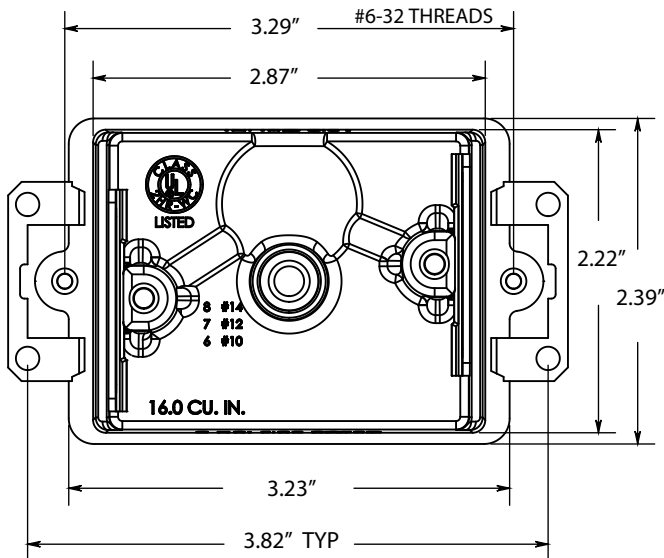
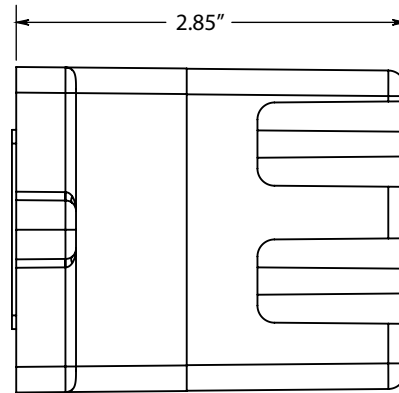
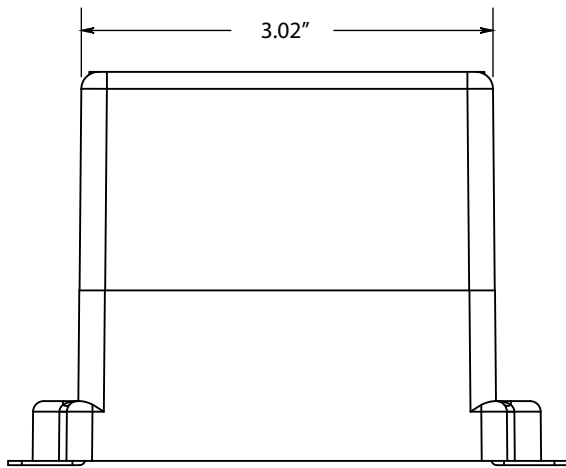
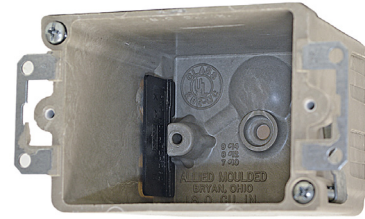


LED STEP LIGHTS SL-60 SERIES

TYPE



FA-SG-BOX
Single Gang Box



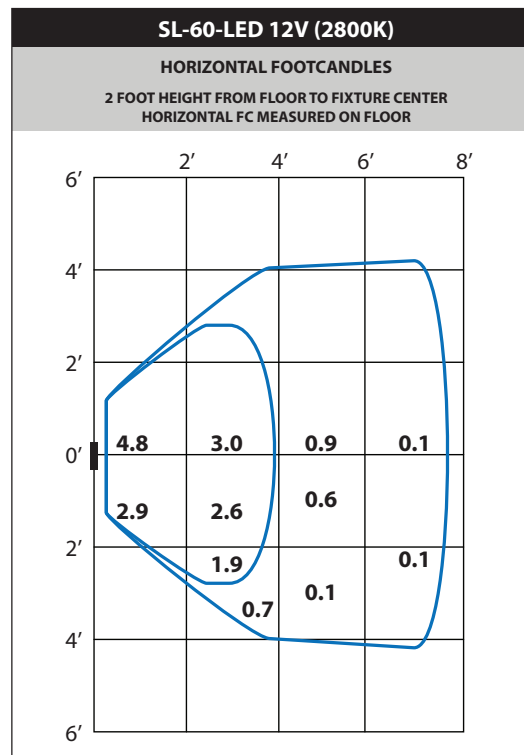
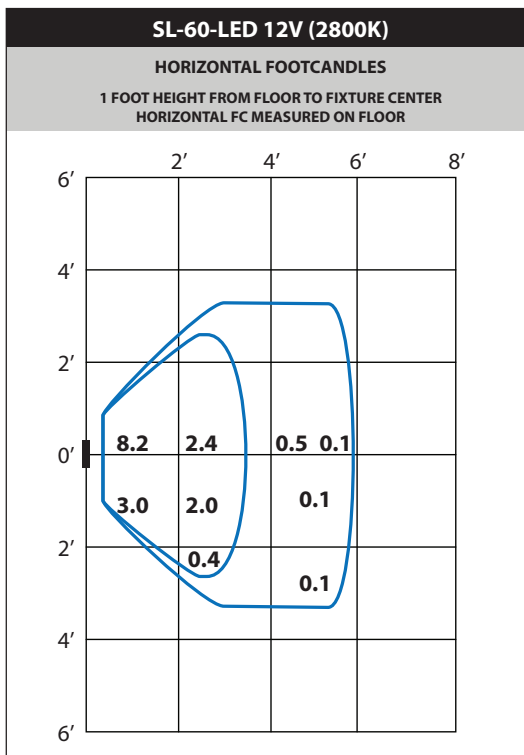
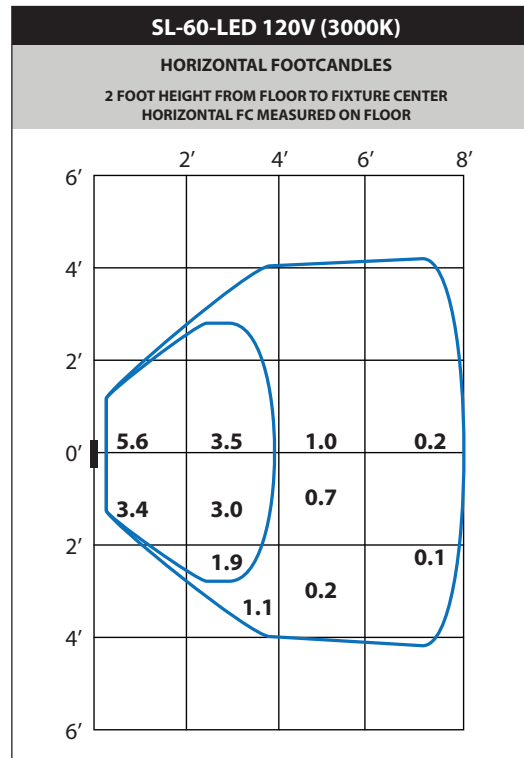
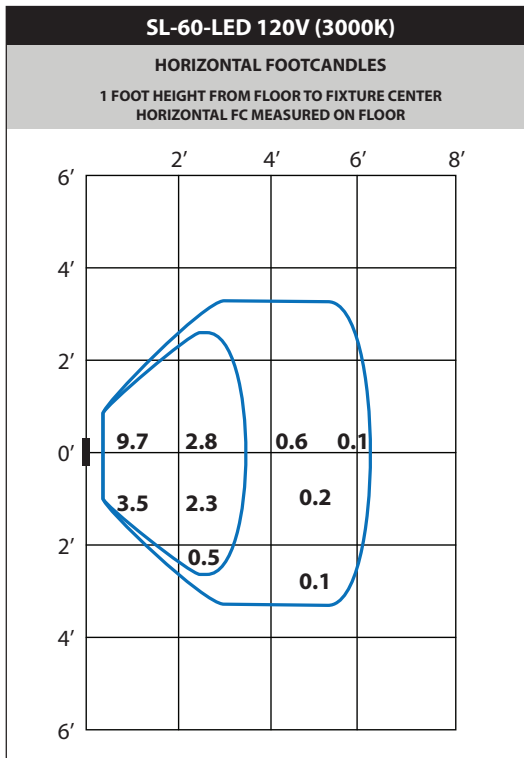
Black Texture (Standard)	Antique Verde	Bronze Texture	Camel	White Texture	Hunter Texture	Rust	Weathered Iron	Weathered Brown	Stucco	Rubbed Verde	Chrome Powder	Acid Rust	Acid Verde	Black Acid Treatment
-BLT	-ATV	-BRT	-CAM	-WTX	-HTX	-RST	-WIR	-WBR	-STU	-RBV	-CPR	-BAR/CAR	-BAV/CAV	-BAT



LED STEP LIGHTS SL-60 SERIES

TYPE

LIGHT DISTRIBUTIONS AND PHOTOMETRICS



Black Texture (Standard)	Antique Verde	Bronze Texture	Camel	White Texture	Hunter Texture	Rust	Weathered Iron	Weathered Brown	Stucco	Rubbed Verde	Chrome Powder	Acid Rust	Acid Verde	Black Acid Treatment
-BLT	-ATV	-BRT	-CAM	-WTX	-HTX	-RST	-WIR	-WBR	-STU	-RBV	-CPR	-BAR/CAR	-BAV/CAV	-BAT