



WALL MOUNT UP/DOWN SL16-MR16-S



TYPE

SPECIFICATIONS

CONSTRUCTION: 316 stainless steel or brass cylinder and canopy

LENS: Translucent acrylic snoot with 3 available finishes;

S1 - Clear

S2 - 100% Frosted

S3 - Frosted sides with clear top and bottom

CANOPY GASKET: Black newsponge closed cell .190" thickness

LAMP SUPPLIED: None, uses MR16 lamps

LAMP OPTIONS: We recommend 50,000 hour ARROW 4w LED (-LED) or 40,000 hour 5w (-LED5) or 7w (-LED7) ARROW Super Saver LED

SOCKET: High temperature ceramic GU5.3 bi-pin with 250°C silicone lead wires

WIRING: Black and 2 White 250°C silicone lead wires

CONNECTION: FA-05 Quick Connector (not supplied) from fixture to main cable (12/2, 10/2 or 8/2 only)

MOUNTING: Canopy included with 2 stainless steel or brass #2 Phillips, flat head, wood screws. Optional FA-24-LG canopy to cover 40 box with mounting hardware

FINISH: Stainless Steel-Machined stainless steel only
Brass-Unfinished brass. Optional finishes available

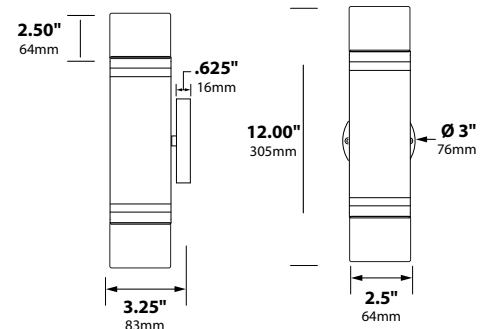


DOWN LIGHT MODEL AVAILABLE SEE SL16-D-MR16-S

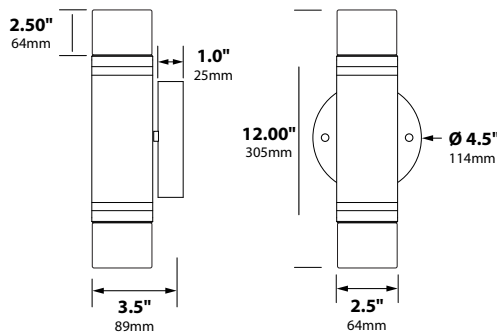
ORDERING INFORMATION

CATALOG NO.	DESCRIPTION
SL16-MR16-S1-NL-SS	2 X NO LAMP, STAINLESS UP/DOWN, CLEAR SNOOT
SL16-MR16-S1-LED-SS	2 X 4W LED, STAINLESS UP/DOWN, CLEAR SNOOT
SL16-MR16-S1-NL-BRS	2 X NO LAMP, BRASS UP/DOWN, CLEAR SNOOT
SL16-MR16-S1-LED-BRS	2 X 4W LED, BRASS UP/DOWN, CLEAR SNOOT
SL16-MR16-S2-NL-SS	2 X NO LAMP, STAINLESS UP/DOWN, FROSTED SNOOT
SL16-MR16-S2-LED-SS	2 X 4W LED, STAINLESS UP/DOWN, FROSTED SNOOT
SL16-MR16-S2-NL-BRS	2 X NO LAMP, BRASS UP/DOWN, FROSTED SNOOT
SL16-MR16-S2-LED-BRS	2 X 4W LED, BRASS UP/DOWN, FROSTED SNOOT
SL16-MR16-S3-NL-SS	2 X NO LAMP, STAINLESS UP/DOWN, FROST/CLEAR SNOOT
SL16-MR16-S3-LED-SS	2 X 4W LED, STAINLESS UP/DOWN, FROST/CLEAR SNOOT
SL16-MR16-S3-NL-BRS	2 X NO LAMP, BRASS UP/DOWN, FROST/CLEAR SNOOT
SL16-MR16-S3-LED-BRS	2 X 4W LED, BRASS UP/DOWN, FROST/CLEAR SNOOT

Note: Standard snoot length in 2.5"; extended snoots in 6" and 12" lengths available, add 6 or 12 to part number Example: SL-16-MR16-S1-12-BRS = 12" snoot



SL16-MR16-S1



SL16-MR16-S1-24LG



JOB INFORMATION	
Type:	Date:
Job Name:	
Cat. No.:	
Lamp(s):	
Specifier:	
Contractor:	
Notes:	
FOCUS INDUSTRIES INC. www.focusindustries.com 25301 COMMERCENTRE DRIVE sales@focusindustries.com LAKE FOREST, CA 92630 (949) 830-1350 • FAX (949) 830-3390	

Black Texture (Standard)	Antique Verde	Bronze Texture	Camel	White Texture	Hunter Texture	Rust	Weathered Iron	Weathered Brown	Stucco	Rubbed Verde	Chrome Powder	Acid Rust	Acid Verde	Black Acid Treatment
-BLT	-ATV	-BRT	-CAM	-WTX	-HTX	-RST	-WIR	-WBR	-STU	-RBV	-CPR	-BAR/CAR	-BAV/CAV	-BAT



WALL MOUNT UP/DOWN SL16-MR16-S

Extended Snoots Available In 6" & 12" Lengths



SL-16-MR16-S16-BRS
(6" snoot)



SL-16-MR16-S112-BRS
(12" snoot)

