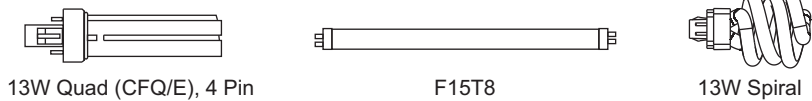


SC-120-113-CFL

Rapid Start Fluorescent Ballast

- High Frequency Electronic Ballast
- Input Voltage: 120VAC, 60Hz
- Rapid Start
- UL / cUL Listed, Class P

This Ballast Will Operate Following Lamps:



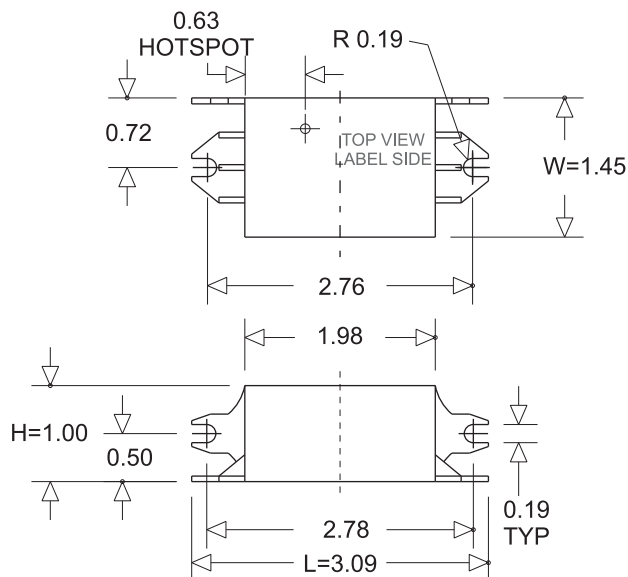
General Specifications

Input Voltage	120VAC, 60Hz
Current Crest Factor	< 1.7
Lamps Operated	1 Lamp
EMI / RFI Compliance	FCC Part 18-A (Consumer)
Sound Rating	"A"
Ballast Type	Rapid Start
Voltage Transients	ANSI 62.41
Input Protection	Fuse
Output Protection	EOL
Min. Operating Temp	0°C (32°F)
Max. Case Temp	75°C (167°F)
Energy Star 4.0	Yes
Approvals Class	UL / cUL Listed, Class "P", 1 Outdoor
Warranty	2 Years from the date of manufacture when properly installed.

Electrical Data

Lamp Wattage / Type	Lamps Operated	Input Wattage	Line Current	Power Factor	Ballast Factor	Efficacy Factor	THD
13CFQ/E	1	15.0	0.237	0.53	0.97	6.54	154.4%
F15T8	1	15.22	0.236	0.54	1.03	6.78	153.8%
F17T8	1	15.63	0.233	0.59	1.00	6.37	143.5%
13W Spiral	1	14.22	0.205	0.57	1.08	7.58	132.7%

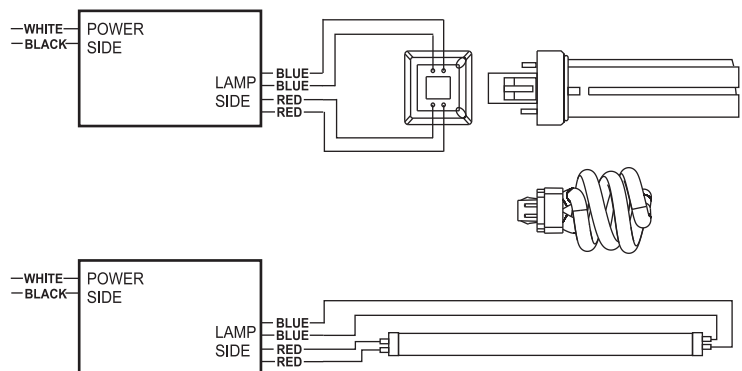
Mechanical Data



Where : L = Length, W = Width, H = Height

Wiring Diagrams

Wire Color	Length (Inches)
Black	12" ±1"
White	12" ±1"
Red	12" ±1"
Blue	12" ±1"



NOTE : This Plastic Case Ballast Does Not Require Grounding