



Planned Phase Out
Limited Stock Available While Supplies Last

SPECIFICATION SHEET : SC-120-120-CT12

This Is An Original Product From Fulham Co., Inc

**Description : PONY Series, High Frequency Electronic, Rapid Start Ballast,
* Meets Energy Star 4.0 Criteria For Applications Listed.**

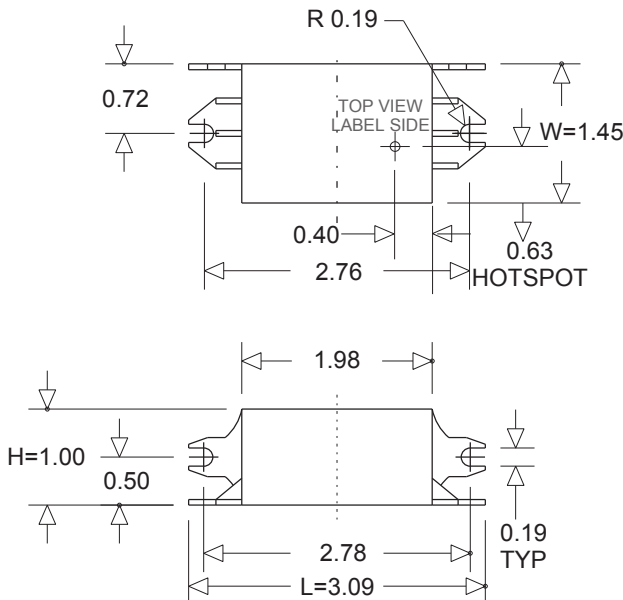
This Ballast Will Operate Following Lamps.



ELECTRICAL DATA

INPUT VOLT: 120V ± 10%, 50/60Hz									
LAMP WATTS/TYPE	F20T12	-	-	-	-	-	-	-	-
LAMPS OPERATED	1								
INPUT WATTS	20.93W								
LINE CURRENT:	0.304A								
POWER FACTOR	0.574								
BALLAST FACTOR	1.124								
EFFICACY FACTOR	5.369								
THD	125.6%								
CURRENT CREST FACTOR	1.523								
EMI/RFI COMPLIANCE	FCC PART 18-A (Consumer)								
SOUND RATING	" A "								
BALLAST TYPE	RAPID START								
VOLTAGE TRANSIENTS	ANSI 62.41								
INPUT/PROTECTION	FUSE								
OUTPUT/PROTECTION	NONE								
MIN. OPERATING TEMP	-10°C (14°F)								
MAX. CASE TEMP	75 °C (167 ° F)								
ENERGY STAR 4.0	-----								
APPROVALS/CLASS	UL /cUL LISTED, CLASS " P ", 1 OUTDOOR								

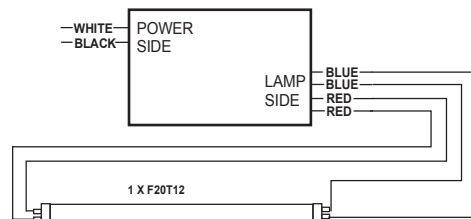
MECHANICAL DATA



Where : L = Length, W = Width, H = Height

WIRING DIAGRAMS

WIRE	BLACK	WHITE	RED	BLUE	YELLOW	BROWN
LENGTH - INCHES	12 ± 1"	12 ± 1"	8 ± 1"	8 ± 1"		



NOTE : This Plastic Case Ballast Does Not Require Grounding

Fulham Co., Inc extends limited warranty only to the original purchaser or to the first user for the period of **2 years** from the date of manufacture as indicated by the date code stamped on each product and when properly installed and under normal conditions of use. For additional warranty guide line, please refer to our Complete Product Catalog OR call Customer Service at 1-323-599-5000.

DUE TO A PROGRAM OF CONTINUOUS IMPROVEMENT, FULHAM Co., INC RESERVES THE RIGHT TO MAKE ANY VARIATION IN DESIGN OR CONSTRUCTION TO THE EQUIPMENT DESCRIBED.

Address : 12705 South Van Ness Ave., Hawthorne, CA 90250 Tel.: 1-323-599-5000, Fax.: 1-323-754-9060. Website: www.fulham.com