

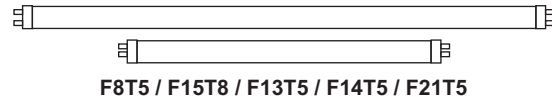


SC-120-213-LT5

Rapid Start Fluorescent Ballast

- High Frequency Electronic Ballast
- Input Voltage: 120VAC, 60Hz
- Rapid Start
- UL / cUL Listed, Class P

This Ballast Will Operate Following Lamps:



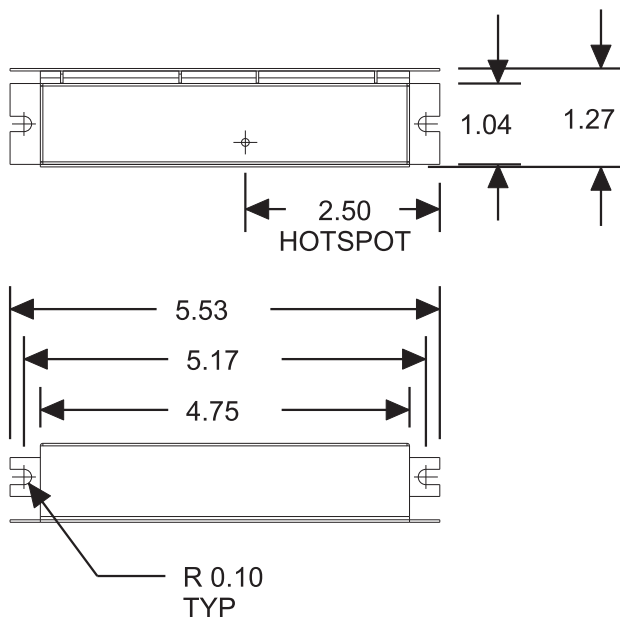
General Specifications

Input Voltage	120VAC, 60Hz
Lamps Operated	1 or 2 Lamp
EMI / RFI Compliance	FCC Part 18-A (Consumer)
Sound Rating	"A"
Ballast Type	Rapid Start
Voltage Transients	ANSI 62.41
Input Protection	Fuse
Output Protection	EOL
Min. Operating Temp	-10°C (14°F)
Max. Case Temp	75°C (167°F)
Approvals Class	UL / cUL Listed, Class "P", 1 Outdoor
Warranty	2 Years from the date of manufacture when properly installed.

Electrical Data

Lamp Wattage / Type	Lamps Operated	Input Wattage	Line Current	Power Factor	Ballast Factor	Efficacy Factor	THD	Current Crest Factor
F13T5	2	30	0.35	0.72	0.88	2.93	90.9%	1.48
F14T5	2	30	0.35	0.72	0.77	2.57	89.4%	1.48
F15T8	2	23	0.28	0.70	0.68	2.91	97.0%	1.48
F8+F13T5	1	24	0.29	0.70	1.03	4.21	95.7%	1.53
F21T5	1	24	0.29	0.70	0.99	4.03	97.1%	1.49

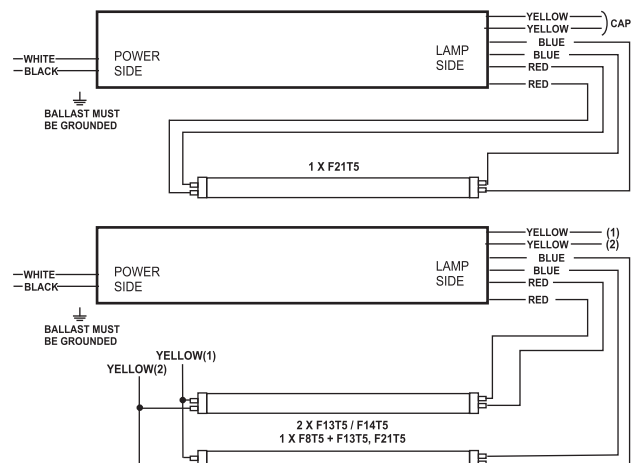
Mechanical Data



Where : L = Length, W = Width, H = Height

Wiring Diagrams

Wire Color	Length (Inches)	Wire Color	Length (Inches)
Black	12" ±1"	Black	36" ±1"
White	12" ±1"	White	36" ±1"
		Red	36" ±1"



NOTE : This Plastic Case Ballast Does Not Require Grounding