

# SPECIFICATION SHEET : WH8-120-L

This Is An Original Product From Fulham Co., Inc



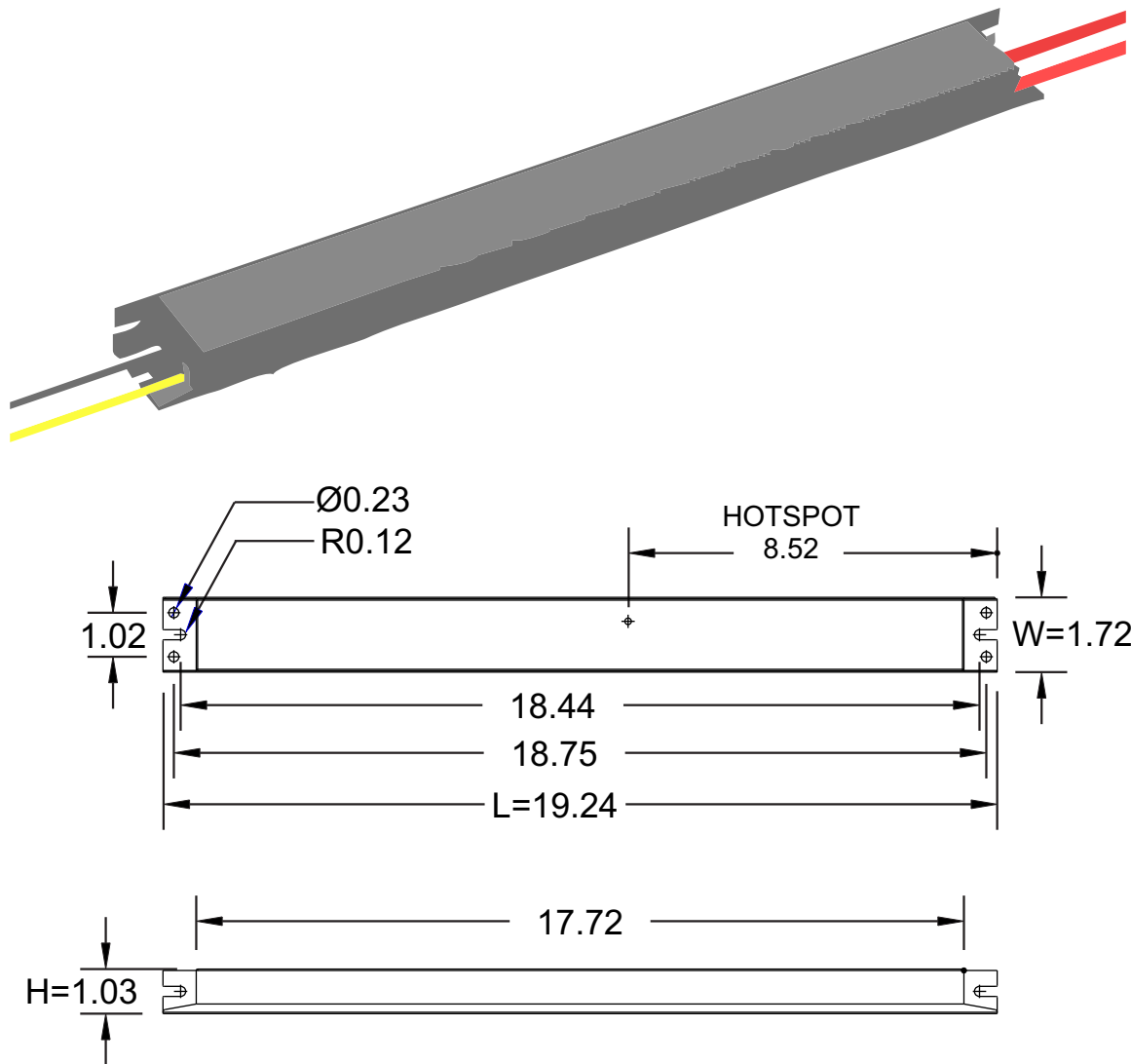
**Description : WorkHorse Series Versatile, Solid State Electronic Ballast. Small Case Size, High Power Factor, Light Weight, Available In 120/230/277V 60 Hz.**

**This Ballast Will Operate Following Lamps.**

## ELECTRICAL/MECHANICAL DATA (120V APPLICATION)

WIRE	BLACK	WHITE	RED	BLUE	YELLOW	BROWN
LENGTH - INCHES	12 ± 1"	12 ± 1"	36 ± 1"	-	36 ± 1"	-

WIRING DIAGRAMS REFER TO FULHAM'S CATALOGUE  
NOTE : This Ballast Must Be Grounded



Fulham Co., Inc extends limited warranty only to the original purchaser or to the first user for the period of 5 years from the date of manufacture as indicated by the date code stamped on each product and when properly installed and under normal conditions of use. For additional warranty guide line, please refer to our Complete Product Catalog OR call Customer Service at 1-323-599-5000.

DUE TO A PROGRAM OF CONTINUOUS IMPROVEMENT, FULHAM Co., INC RESERVES THE RIGHT TO MAKE ANY VARIATION IN DESIGN OR CONSTRUCTION TO THE EQUIPMENT DESCRIBED.

Address : 12705 South Van Ness Ave., Hawthorne, CA 90250 Tel.: 1-323-599-5000, Fax.: 1-323-754-9060. Website: [www.fulham.com](http://www.fulham.com) 2006-167-1 Rev D



# SPECIFICATION SHEET : WH8-120-L

This Is An Original Product From Fulham Co., Inc



**Description : WorkHorse Series Versatile, Solid State Electronic Ballast. Small Case Size, High Power Factor, Light Weight, Available In 120/230/277V 60 Hz.**

**This Ballast Will Operate Following Lamps.**



**TWIN(CFT/E), 4 PIN**

## ELECTRICAL DATA ( FOR 120V APPLICATION)

INPUT VOLT: 120V ± 10% , 60Hz								
LAMP WATTS/TYPE	CFT36W	CFT36W	CFT40W	CFT36W	CFT40W	CFT50W	CFT36W	CFT40W
LAMPS OPERATED	6	5		4		3		
WIRING DIAGRAM #	29	28		27		25		
INPUT WATTS	185	164	221	141	189	193	114	152
LINE CURRENT	1.64	1.45	1.96	1.25	1.67	1.71	1.02	1.35
POWER FACTOR	0.94	0.93	0.95	0.93	0.94	0.94	0.93	0.94
BALLAST FACTOR	0.82	0.86	0.98	0.91	1.03	0.84	0.96	1.08
EFFICACY FACTOR	0.44	0.53	0.44	0.65	0.55	0.43	0.84	0.71
THD	34%	35%	32%	36%	34%	34%	37%	35%
EMI/RFI COMPLIANCE	FCC PART 18-A (NON-CONSUMER)							
SOUND RATING	" A "							
BALLAST TYPE	INSTANT START							
VOLTAGE TRANSIENTS	ANSI C82.11 - 1993							
INPUT/PROTECTION	FUSE							
OUTPUT/PROTECTION	-							
MIN. STARTING TEMP	- 18 °C ( 0 °F )							
MAX. CASE TEMP	70 °C ( 158 °F )							
TYPE "HL" APPROVAL	APPROVED FOR HAZARDOUS LOCATION							
ENERGY STAR 4.0	-							
APPROVALS/CLASS	cUL LISTED, CLASS " P ", 1 OUTDOOR							

INPUT VOLT: 120V ± 10% , 60Hz								
LAMP WATTS/TYPE	CFT50W	CFT55W	CFT36W	CFT50W	CFT55W	CFT96W	CFT55W	CFT96W
LAMPS OPERATED	3		2			1		
WIRING DIAGRAM #	25		22		23	16	17	
INPUT WATTS	159	146	85	117	105	214	63	132
LINE CURRENT	1.41	1.30	0.77	1.04	0.94	1.90	0.57	1.79
POWER FACTOR	0.94	0.94	0.93	0.93	0.93	0.94	0.92	0.93
BALLAST FACTOR	0.89	0.83	1.00	0.94	0.75	0.98	0.82	1.15
EFFICACY FACTOR	0.56	0.57	1.18	0.81	0.71	0.46	1.30	0.87
THD	35%	35%	39%	37%	38%	33%	40%	36%
EMI/RFI COMPLIANCE	FCC PART 18-A (NON-CONSUMER)							
SOUND RATING	" A "							
BALLAST TYPE	INSTANT START							
VOLTAGE TRANSIENTS	ANSI C82.11 - 1993							
INPUT/PROTECTION	FUSE							
OUTPUT/PROTECTION	-							
MIN. STARTING TEMP	- 30 °C ( -20 °F )							
MAX. CASE TEMP	70 °C ( 158 °F )							
TYPE "HL" APPROVAL	APPROVED FOR HAZARDOUS LOCATION							
ENERGY STAR 4.0	-							
APPROVALS/CLASS	cUL LISTED, CLASS " P ", 1 OUTDOOR							

Fulham Co., Inc extends limited warranty only to the original purchaser or to the first user for the period of 5 years from the date of manufacture as indicated by the date code stamped on each product and when properly installed and under normal conditions of use. For additional warranty guide line, please refer to our Complete Product Catalog OR call Customer Service at 1-323-599-5000.

DUE TO A PROGRAM OF CONTINUOUS IMPROVEMENT, FULHAM Co., INC RESERVES THE RIGHT TO MAKE ANY VARIATION IN DESIGN OR CONSTRUCTION TO THE EQUIPMENT DESCRIBED.

**Address : 12705 South Van Ness Ave., Hawthorne, CA 90250 Tel.: 1-323-599-5000, Fax.: 1-323-754-9060. Website: www.fulham.com 2006-167-2 rev D**



# SPECIFICATION SHEET : WH8-120-L

This Is An Original Product From Fulham Co., Inc



**Description : WorkHorse Series Versatile, Solid State Electronic Ballast. Small Case Size, High Power Factor, Light Weight, Available In 120/230/277V 60 Hz.**

**This Ballast Will Operate Following Lamps.**



T5HO

## ELECTRICAL DATA ( FOR 120V APPLICATION)

INPUT VOLT: 120V ± 10% , 60Hz								
LAMP WATTS/TYPE	F24T5HO	F24T5HO	F24T5HO	F39T5HO	F39T5HO	F54T5HO	F54T5HO	F80T5HO
LAMPS OPERATED	6	5	4		3	2	1	
WIRING DIAGRAM #	29	28	27		25	22	16	
INPUT WATTS	147	131	115	163	134	111	71	89
LINE CURRENT	1.31	1.17	1.03	1.45	1.20	0.99	0.64	0.80
POWER FACTOR	0.94	0.94	0.93	0.94	0.93	0.93	0.93	0.93
BALLAST FACTOR	0.92	0.96	1.04	0.82	0.87	0.86	0.99	0.89
EFFICACY FACTOR	0.62	0.73	0.91	0.50	0.65	0.78	1.41	1.00
THD	35%	36%	37%	35%	36%	37%	39%	37%
EMI/RFI COMPLIANCE	FCC PART 18-A (NON-CONSUMER)							
SOUND RATING	" A "							
BALLAST TYPE	INSTANT START							
VOLTAGE TRANSIENTS	ANSI C82.11 - 1993							
INPUT/PROTECTION	FUSE							
OUTPUT/PROTECTION	-							
MIN. STARTING TEMP	- 18 °C ( 0 °F )							
MAX. CASE TEMP	70 °C ( 158 °F )							
TYPE "HL" APPROVAL	APPROVED FOR HAZARDOUS LOCATION							
ENERGY STAR 4.0	-							
APPROVALS/CLASS	cUL LISTED, CLASS " P ", 1 OUTDOOR							

Fulham Co., Inc extends limited warranty only to the original purchaser or to the first user for the period of 5 years from the date of manufacture as indicated by the date code stamped on each product and when properly installed and under normal conditions of use. For additional warranty guide line, please refer to our Complete Product Catalog OR call Customer Service at 1-323-599-5000.

DUE TO A PROGRAM OF CONTINUOUS IMPROVEMENT, FULHAM Co., INC RESERVES THE RIGHT TO MAKE ANY VARIATION IN DESIGN OR CONSTRUCTION TO THE EQUIPMENT DESCRIBED.

Address : 12705 South Van Ness Ave., Hawthorne, CA 90250 Tel.: 1-323-599-5000, Fax.: 1-323-754-9060. Website: [www.fulham.com](http://www.fulham.com) 2006-167-3 rev D



# SPECIFICATION SHEET : WH8-120-L

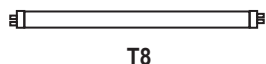
This Is An Original Product From Fulham Co., Inc

RoHS  
COMPLIANT



**Description : WorkHorse Series Versatile, Solid State Electronic Ballast. Small Case Size, High Power Factor, Light Weight, Available In 120/230/277V 60 Hz.**

**This Ballast Will Operate Following Lamps.**



## ELECTRICAL DATA ( FOR 120V APPLICATION)

INPUT VOLT: 120V ± 10% , 60Hz								
LAMP WATTS/TYPE	F13T8	F14T8	F15T8	F17T8	F18T8	F25T8	F30T8	F32T8
LAMPS OPERATED	6							
WIRING DIAGRAM #	29							
INPUT WATTS	68	87	107	122	128	170	177	225
LINE CURRENT	0.61	0.77	0.96	1.09	1.15	1.51	1.57	1.99
POWER FACTOR	0.93	0.93	0.93	0.94	0.93	0.94	0.94	0.95
BALLAST FACTOR	0.78	0.90	1.08	1.21	1.08	1.19	0.95	1.19
EFFICACY FACTOR	1.15	1.04	1.01	0.99	0.85	0.70	0.54	0.53
THD	37%	37%	36%	36%	36%	34%	34%	32%
EMI/RFI COMPLIANCE	FCC PART 18-A (NON-CONSUMER)							
SOUND RATING	" A "							
BALLAST TYPE	INSTANT START							
VOLTAGE TRANSIENTS	ANSI C82.11 - 1993							
INPUT/PROTECTION	FUSE							
OUTPUT/PROTECTION	-							
MIN. STARTING TEMP	- 18 °C ( 0 °F )							
MAX. CASE TEMP	70 °C ( 158 °F )							
TYPE "HL" APPROVAL	APPROVED FOR HAZARDOUS LOCATION							
ENERGY STAR 4.0	-							
APPROVALS/CLASS	CUL LISTED, CLASS " P ", 1 OUTDOOR							

INPUT VOLT: 120V ± 10% , 60Hz									
LAMP WATTS/TYPE	F13T8	F14T8	F15T8	F18T8	F30T8	F13T8	F14T8	F18T8	F30T8
LAMPS OPERATED	5					4			
WIRING DIAGRAM #	28					27			
INPUT WATTS	61	80	92	112	158	54	65	98	138
LINE CURRENT	0.55	0.71	0.82	1.00	1.41	0.49	0.59	0.88	1.23
POWER FACTOR	0.92	0.93	0.93	0.93	0.93	0.92	0.93	0.93	0.93
BALLAST FACTOR	0.80	0.97	1.12	1.13	0.99	0.75	0.91	1.17	1.06
EFFICACY FACTOR	1.31	1.22	1.22	1.01	0.63	1.39	1.39	1.19	0.77
THD	38%	37%	37%	37%	35%	39%	38%	37%	35%
EMI/RFI COMPLIANCE	FCC PART 18-A (NON-CONSUMER)								
SOUND RATING	" A "								
BALLAST TYPE	INSTANT START								
VOLTAGE TRANSIENTS	ANSI C82.11 - 1993								
INPUT/PROTECTION	FUSE								
OUTPUT/PROTECTION	-								
MIN. STARTING TEMP	- 18 °C ( 0 °F )								
MAX. CASE TEMP	70 °C ( 158 °F )								
TYPE "HL" APPROVAL	APPROVED FOR HAZARDOUS LOCATION								
ENERGY STAR 4.0	-								
APPROVALS/CLASS	cUL LISTED, CLASS " P ", 1 OUTDOOR								

Fulham Co., Inc extends limited warranty only to the original purchaser or to the first user for the period of 5 years from the date of manufacture as indicated by the date code stamped on each product and when properly installed and under normal conditions of use. For additional warranty guide line, please refer to our Complete Product Catalog OR call Customer Service at 1-323-599-5000.

DUE TO A PROGRAM OF CONTINUOUS IMPROVEMENT, FULHAM Co., INC RESERVES THE RIGHT TO MAKE ANY VARIATION IN DESIGN OR CONSTRUCTION TO THE EQUIPMENT DESCRIBED.

Address : 12705 South Van Ness Ave., Hawthorne, CA 90250 Tel.: 1-323-599-5000, Fax.: 1-323-754-9060. Website: [www.fulham.com](http://www.fulham.com) 2006-167-4 rev D



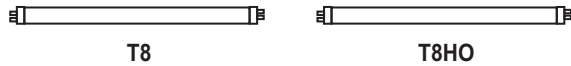
# SPECIFICATION SHEET : WH8-120-L

This Is An Original Product From Fulham Co., Inc



**Description : WorkHorse Series Versatile, Solid State Electronic Ballast. Small Case Size, High Power Factor, Light Weight, Available In 120/230/277V 60 Hz.**

**This Ballast Will Operate Following Lamps.**



## ELECTRICAL DATA ( FOR 120V APPLICATION)

INPUT VOLT: 120V ± 10%, 60Hz									
LAMP WATTS/TYPE	F14T8	F18T8	F30T8	-	-	-	-	-	-
LAMPS OPERATED	3								
WIRING DIAGRAM #	25								
INPUT WATTS	54	83	111						
LINE CURRENT	0.48	0.74	0.99						
POWER FACTOR	0.93	0.93	0.93						
BALLAST FACTOR	1.03	1.21	1.11						
EFFICACY FACTOR	1.90	1.46	1.00						
THD	39%	38%	37%						
EMI/RFI COMPLIANCE	FCC PART 18-A (NON-CONSUMER)								
SOUND RATING	" A "								
BALLAST TYPE	INSTANT START								
VOLTAGE TRANSIENTS	ANSI C82.11 - 1993								
INPUT/PROTECTION	FUSE								
OUTPUT/PROTECTION	-								
MIN. STARTING TEMP	- 18 °C ( 0 °F )								
MAX. CASE TEMP	70 °C ( 158 °F )								
TYPE "HL" APPROVAL	APPROVED FOR HAZARDOUS LOCATION								
ENERGY STAR 4.0	-								
APPROVALS/CLASS	cUL LISTED, CLASS " P ", 1 OUTDOOR								

INPUT VOLT: 120V ± 10%, 60Hz									
LAMP WATTS/TYPE	F60T8HO	F60T8HO	F72T8HO	F60T8HO	F72T8HO	-	-	-	-
LAMPS OPERATED	4	3		2					
WIRING DIAGRAM #	27	25		22					
INPUT WATTS	206	171	200	126	149				
LINE CURRENT	1.82	1.51	1.77	1.13	1.32				
POWER FACTOR	0.94	0.94	0.95	0.94	0.94				
BALLAST FACTOR	0.87	0.94	0.84	1.02	1.02				
EFFICACY FACTOR	0.42	0.55	0.42	0.81	0.68				
THD	33%	34%	32%	36%	34%				
EMI/RFI COMPLIANCE	FCC PART 18-A (NON-CONSUMER)								
SOUND RATING	" A "								
BALLAST TYPE	INSTANT START								
VOLTAGE TRANSIENTS	ANSI C82.11 - 1993								
INPUT/PROTECTION	FUSE								
OUTPUT/PROTECTION	-								
MIN. STARTING TEMP	- 18 °C ( 0 °F )								
MAX. CASE TEMP	70 °C ( 158 °F )								
TYPE "HL" APPROVAL	APPROVED FOR HAZARDOUS LOCATION								
ENERGY STAR 4.0	-								
APPROVALS/CLASS	cUL LISTED, CLASS " P ", 1 OUTDOOR								

Fulham Co., Inc extends limited warranty only to the original purchaser or to the first user for the period of 5 years from the date of manufacture as indicated by the date code stamped on each product and when properly installed and under normal conditions of use. For additional warranty guide line, please refer to our Complete Product Catalog OR call Customer Service at 1-323-599-5000.

DUE TO A PROGRAM OF CONTINUOUS IMPROVEMENT, FULHAM Co., INC RESERVES THE RIGHT TO MAKE ANY VARIATION IN DESIGN OR CONSTRUCTION TO THE EQUIPMENT DESCRIBED.

Address : 12705 South Van Ness Ave., Hawthorne, CA 90250 Tel.: 1-323-599-5000, Fax.: 1-323-754-9060. Website: [www.fulham.com](http://www.fulham.com) 2006-167-5 rev D



## SPECIFICATION SHEET : WH8-120-L

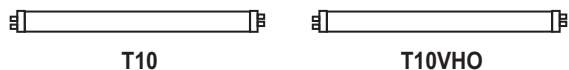
This Is An Original Product From Fulham Co., Inc

RoHS  
COMPLIANT



**Description : WorkHorse Series Versatile, Solid State Electronic Ballast. Small Case Size, High Power Factor, Light Weight, Available In 120/230/277V 60 Hz.**

**This Ballast Will Operate Following Lamps.**



### ELECTRICAL DATA ( FOR 120V APPLICATION)

INPUT VOLT: 120V ± 10%, 60Hz							
LAMP WATTS/TYPE	F40T10	F40T10	F40T10	F48T10VHO	F60T10VHO	F72T10VHO	
LAMPS OPERATED	5	4	2	1			
WIRING DIAGRAM #	28	27	22	19			
INPUT WATTS	185	159	102	107	124	143	
LINE CURRENT	1.64	1.41	0.92	0.96	1.11	1.28	
POWER FACTOR	0.94	0.93	0.92	0.93	0.93	0.93	
BALLAST FACTOR	0.89	0.94	0.95	0.86	0.83	0.85	
EFFICACY FACTOR	0.48	0.60	0.93	0.80	0.67	0.59	
THD	33%	35%	37%	37%	36%	36%	
EMI/RFI COMPLIANCE	FCC PART 18-A (NON-CONSUMER)						
SOUND RATING	" A "						
BALLAST TYPE	INSTANT START						
VOLTAGE TRANSIENTS	ANSI C82.11 - 1993						
INPUT/PROTECTION	FUSE						
OUTPUT/PROTECTION	-						
MIN. STARTING TEMP	- 18 °C ( 0 °F )						
MAX. CASE TEMP	70 °C ( 158 °F )						
TYPE "HL" APPROVAL	APPROVED FOR HAZARDOUS LOCATION						
ENERGY STAR 4.0	-						
APPROVALS/CLASS	cUL LISTED, CLASS " P ", 1 OUTDOOR						

Fulham Co., Inc extends limited warranty only to the original purchaser or to the first user for the period of 5 years from the date of manufacture as indicated by the date code stamped on each product and when properly installed and under normal conditions of use. For additional warranty guide line, please refer to our Complete Product Catalog OR call Customer Service at 1-323-599-5000.

DUE TO A PROGRAM OF CONTINUOUS IMPROVEMENT, FULHAM Co., INC RESERVES THE RIGHT TO MAKE ANY VARIATION IN DESIGN OR CONSTRUCTION TO THE EQUIPMENT DESCRIBED.

Address : 12705 South Van Ness Ave., Hawthorne, CA 90250 Tel.: 1-323-599-5000, Fax.: 1-323-754-9060. Website: [www.fulham.com](http://www.fulham.com) 2006-167-6 rev D



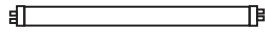
# SPECIFICATION SHEET : WH8-120-L

This Is An Original Product From Fulham Co., Inc



**Description : WorkHorse Series Versatile, Solid State Electronic Ballast. Small Case Size, High Power Factor, Light Weight, Available In 120/230/277V 60 Hz.**

**This Ballast Will Operate Following Lamps.**



T12

## ELECTRICAL DATA ( FOR 120V APPLICATION)

INPUT VOLT: 120V ± 10%, 60Hz									
LAMP WATTS/TYPE	F14T12	F15T12	F20T12	-	-	-	-	-	-
LAMPS OPERATED	6								
WIRING DIAGRAM #	29								
INPUT WATTS	78	88	116						
LINE CURRENT	0.70	0.79	1.04						
POWER FACTOR	0.93	0.93	0.93						
BALLAST FACTOR	0.76	0.80	0.85						
EFFICACY FACTOR	0.97	0.91	0.74						
THD	37%	37%	36%						
EMI/RFI COMPLIANCE	FCC PART 18-A (NON-CONSUMER)								
SOUND RATING	" A "								
BALLAST TYPE	INSTANT START								
VOLTAGE TRANSIENTS	ANSI C82.11 - 1993								
INPUT/PROTECTION	FUSE								
OUTPUT/PROTECTION	-								
MIN. STARTING TEMP	- 18 °C ( 0 °F )								
MAX. CASE TEMP	70 °C ( 158 °F )								
TYPE "HL" APPROVAL	APPROVED FOR HAZARDOUS LOCATION								
ENERGY STAR 4.0	-								
APPROVALS/CLASS	cUL LISTED, CLASS " P ", 1 OUTDOOR								

INPUT VOLT: 120V ± 10%, 60Hz									
LAMP WATTS/TYPE	F14T12	F15T12	F20T12	F24T12	F30T12	F36T12	F40T12	F42T12	F48T12
LAMPS OPERATED	5								
WIRING DIAGRAM #	28								
INPUT WATTS	71	78	104	97	142	136	179	158	178
LINE CURRENT	0.63	0.70	0.93	0.87	1.27	1.22	1.59	1.41	1.58
POWER FACTOR	0.93	0.93	0.93	0.93	0.94	0.94	0.94	0.94	0.94
BALLAST FACTOR	0.79	0.84	0.89	0.80	0.92	0.86	0.86	0.74	0.84
EFFICACY FACTOR	1.12	1.08	0.86	0.82	0.65	0.63	0.48	0.47	0.47
THD	37%	37%	36%	37%	35%	35%	33%	34%	34%
EMI/RFI COMPLIANCE	FCC PART 18-A (NON-CONSUMER)								
SOUND RATING	" A "								
BALLAST TYPE	INSTANT START								
VOLTAGE TRANSIENTS	ANSI C82.11 - 1993								
INPUT/PROTECTION	FUSE								
OUTPUT/PROTECTION	-								
MIN. STARTING TEMP	- 18 °C ( 0 °F )								
MAX. CASE TEMP	70 °C ( 158 °F )								
TYPE "HL" APPROVAL	APPROVED FOR HAZARDOUS LOCATION								
ENERGY STAR 4.0	-								
APPROVALS/CLASS	cUL LISTED, CLASS " P ", 1 OUTDOOR								

Fulham Co., Inc extends limited warranty only to the original purchaser or to the first user for the period of 5 years from the date of manufacture as indicated by the date code stamped on each product and when properly installed and under normal conditions of use. For additional warranty guide line, please refer to our Complete Product Catalog OR call Customer Service at 1-323-599-5000.

DUE TO A PROGRAM OF CONTINUOUS IMPROVEMENT, FULHAM Co., INC RESERVES THE RIGHT TO MAKE ANY VARIATION IN DESIGN OR CONSTRUCTION TO THE EQUIPMENT DESCRIBED.

Address : 12705 South Van Ness Ave., Hawthorne, CA 90250 Tel.: 1-323-599-5000, Fax.: 1-323-754-9060. Website: [www.fulham.com](http://www.fulham.com) 2006-167-7 rev D



## SPECIFICATION SHEET : WH8-120-L

This Is An Original Product From Fulham Co., Inc



**Description : WorkHorse Series Versatile, Solid State Electronic Ballast. Small Case Size, High Power Factor, Light Weight, Available In 120/230/277V 60 Hz.**

**This Ballast Will Operate Following Lamps.**



T12

### ELECTRICAL DATA ( FOR 120V APPLICATION)

INPUT VOLT: 120V ± 10%, 60Hz									
LAMP WATTS/TYPE	F14T12	F15T12	F20T12	F24T12	F25T12	F30T12	F36T12	F40T12	F42T12
LAMPS OPERATED	4								
WIRING DIAGRAM #	27								
INPUT WATTS	62	68	91	85	111	124	119	155	139
LINE CURRENT	0.56	0.61	0.81	0.77	0.99	1.11	1.06	1.38	1.24
POWER FACTOR	0.93	0.93	0.93	0.93	0.93	0.94	0.93	0.94	0.94
BALLAST FACTOR	0.84	0.89	0.95	0.82	0.99	1.00	0.91	0.92	0.94
EFFICACY FACTOR	1.35	1.31	1.05	0.96	0.89	0.81	0.77	0.60	0.68
THD	38%	38%	37%	37%	36%	36%	36%	34%	35%
EMI/RFI COMPLIANCE	FCC PART 18-A (NON-CONSUMER)								
SOUND RATING	" A "								
BALLAST TYPE	INSTANT START								
VOLTAGE TRANSIENTS	ANSI C82.11 - 1993								
INPUT/PROTECTION	FUSE								
OUTPUT/PROTECTION	-								
MIN. STARTING TEMP	- 18 °C ( 0 °F )								
MAX. CASE TEMP	70 °C ( 158 °F )								
TYPE "HL" APPROVAL	APPROVED FOR HAZARDOUS LOCATION								
ENERGY STAR 4.0	-								
APPROVALS/CLASS	cUL LISTED, CLASS " P ", 1 OUTDOOR								

INPUT VOLT: 120V ± 10%, 60Hz									
LAMP WATTS/TYPE	F48T12	F60T12	F64T12	F72T12	F14T12	F20T12	F24T12	F25T12	F30T12
LAMPS OPERATED	4				3				
WIRING DIAGRAM #	27				25				
INPUT WATTS	153	190	201	214	52	76	71	92	102
LINE CURRENT	1.36	1.69	1.78	1.90	0.47	0.68	0.64	0.82	0.91
POWER FACTOR	0.94	0.94	0.94	0.94	0.93	0.93	0.93	0.93	0.93
BALLAST FACTOR	0.83	0.83	0.84	0.75	0.87	1.01	0.79	1.07	1.06
EFFICACY FACTOR	0.54	0.44	0.42	0.35	1.67	1.33	1.11	1.16	1.04
THD	34%	33%	33%	32%	38%	38%	38%	37%	37%
EMI/RFI COMPLIANCE	FCC PART 18-A								
SOUND RATING	" A "								
BALLAST TYPE	INSTANT START								
VOLTAGE TRANSIENTS	ANSI C82.11 - 1993 / C62.41								
THERMAL PROTECTION	AUTOMATIC RESETTING THERMAL SWITCH								
MIN. OPERATING TEMP	0 °C ( 32 °F )								
MAX. CASE TEMP	70 °C ( 158 °F )								
ENERGY STAR 4.0	-								
APPROVALS/CLASS	cUL LISTED, CLASS " P ", 1 OUTDOOR								

Fulham Co., Inc extends limited warranty only to the original purchaser or to the first user for the period of 5 years from the date of manufacture as indicated by the date code stamped on each product and when properly installed and under normal conditions of use. For additional warranty guide line, please refer to our Complete Product Catalog OR call Customer Service at 1-323-599-5000.

DUE TO A PROGRAM OF CONTINUOUS IMPROVEMENT, FULHAM Co., INC RESERVES THE RIGHT TO MAKE ANY VARIATION IN DESIGN OR CONSTRUCTION TO THE EQUIPMENT DESCRIBED.

Address : 12705 South Van Ness Ave., Hawthorne, CA 90250 Tel.: 1-323-599-5000, Fax.: 1-323-754-9060. Website: [www.fulham.com](http://www.fulham.com) 2006-167-8 rev D





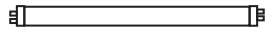
# SPECIFICATION SHEET : WH8-120-L

This Is An Original Product From Fulham Co., Inc



**Description : WorkHorse Series Versatile, Solid State Electronic Ballast. Small Case Size, High Power Factor, Light Weight, Available In 120/230/277V 60 Hz.**

**This Ballast Will Operate Following Lamps.**



T12

## ELECTRICAL DATA ( FOR 120V APPLICATION)

INPUT VOLT: 120V ± 10%, 60Hz									
LAMP WATTS/TYPE	F36T12	F40T12	F42T12	F48T12	F60T12	F64T12	F72T12	F84T12	-
LAMPS OPERATED	3								
WIRING DIAGRAM #	25								
INPUT WATTS	99	128	112	127	155	167	178	208	
LINE CURRENT	0.88	1.14	1.00	1.13	1.38	1.48	1.58	1.84	
POWER FACTOR	0.93	0.94	0.93	0.94	0.94	0.94	0.94	0.95	
BALLAST FACTOR	0.98	1.00	0.84	0.90	0.88	0.91	0.82	0.82	
EFFICACY FACTOR	0.99	0.78	0.75	0.71	0.57	0.55	0.46	0.39	
THD	37%	36%	36%	36%	34%	34%	33%	32%	
EMI/RFI COMPLIANCE	FCC PART 18-A (NON-CONSUMER)								
SOUND RATING	" A "								
BALLAST TYPE	INSTANT START								
VOLTAGE TRANSIENTS	ANSI C82.11 - 1993								
INPUT/PROTECTION	FUSE								
OUTPUT/PROTECTION	-								
MIN. STARTING TEMP	- 18 °C ( 0 °F )								
MAX. CASE TEMP	70 °C ( 158 °F )								
TYPE "HL" APPROVAL	APPROVED FOR HAZARDOUS LOCATION								
ENERGY STAR 4.0	-								
APPROVALS/CLASS	cUL LISTED, CLASS " P ", 1 OUTDOOR								

INPUT VOLT: 120V ± 10%, 60Hz									
LAMP WATTS/TYPE	F24T12	F25T12	F30T12	F36T12	F40T12	F42T12	F48T12	F60T12	F64T12
LAMPS OPERATED	2								
WIRING DIAGRAM #	22								
INPUT WATTS	55	70	78	76	96	88	96	117	127
LINE CURRENT	0.50	0.63	0.70	0.68	0.86	0.79	0.86	1.05	1.13
POWER FACTOR	0.93	0.93	0.93	0.93	0.93	0.93	0.93	0.93	0.93
BALLAST FACTOR	0.83	1.16	1.15	1.08	1.09	0.93	0.98	0.96	1.01
EFFICACY FACTOR	1.51	1.66	1.47	1.43	1.14	1.07	1.02	0.82	0.80
THD	38%	38%	38%	38%	37%	37%	37%	36%	36%
EMI/RFI COMPLIANCE	FCC PART 18-A (NON-CONSUMER)								
SOUND RATING	" A "								
BALLAST TYPE	INSTANT START								
VOLTAGE TRANSIENTS	ANSI C82.11 - 1993								
INPUT/PROTECTION	FUSE								
OUTPUT/PROTECTION	-								
MIN. STARTING TEMP	- 18 °C ( 0 °F )								
MAX. CASE TEMP	70 °C ( 158 °F )								
TYPE "HL" APPROVAL	APPROVED FOR HAZARDOUS LOCATION								
ENERGY STAR 4.0	-								
APPROVALS/CLASS	cUL LISTED, CLASS " P ", 1 OUTDOOR								

Fulham Co., Inc extends limited warranty only to the original purchaser or to the first user for the period of 5 years from the date of manufacture as indicated by the date code stamped on each product and when properly installed and under normal conditions of use. For additional warranty guide line, please refer to our Complete Product Catalog OR call Customer Service at 1-323-599-5000.

DUE TO A PROGRAM OF CONTINUOUS IMPROVEMENT, FULHAM Co., INC RESERVES THE RIGHT TO MAKE ANY VARIATION IN DESIGN OR CONSTRUCTION TO THE EQUIPMENT DESCRIBED.

Address : 12705 South Van Ness Ave., Hawthorne, CA 90250 Tel.: 1-323-599-5000, Fax.: 1-323-754-9060. Website: [www.fulham.com](http://www.fulham.com) 2006-167-9 rev D



# SPECIFICATION SHEET : WH8-120-L

This Is An Original Product From Fulham Co., Inc



**Description : WorkHorse Series Versatile, Solid State Electronic Ballast. Small Case Size, High Power Factor, Light Weight, Available In 120/230/277V 60 Hz.**

**This Ballast Will Operate Following Lamps.**



## ELECTRICAL DATA ( FOR 120V APPLICATION)

INPUT VOLT: 120V ± 10%, 60Hz									
LAMP WATTS/TYPE	F72T12	F84T12	F96T12 60W	F96T12 75W	-	-	-	-	-
LAMPS OPERATED	2								
WIRING DIAGRAM #	22								
INPUT WATTS	135	159	136	165					
LINE CURRENT	1.21	1.41	1.21	1.46					
POWER FACTOR	0.94	0.94	0.94	0.94					
BALLAST FACTOR	0.91	0.94	0.96	0.98					
EFFICACY FACTOR	0.68	0.59	0.71	0.59					
THD	35%	33%	35%	33%					
EMI/RFI COMPLIANCE	FCC PART 18-A (NON-CONSUMER)								
SOUND RATING	" A "								
BALLAST TYPE	INSTANT START								
VOLTAGE TRANSIENTS	ANSI C82.11 - 1993								
INPUT/PROTECTION	FUSE								
OUTPUT/PROTECTION	-								
MIN. STARTING TEMP	- 18 °C ( 0 °F )								
MAX. CASE TEMP	70 °C ( 158 °F )								
TYPE "HL" APPROVAL	APPROVED FOR HAZARDOUS LOCATION								
ENERGY STAR 4.0	-								
APPROVALS/CLASS	cUL LISTED, CLASS " P ", 1 OUTDOOR								

INPUT VOLT: 120V ± 10%, 60Hz									
LAMP WATTS/TYPE	F18T12HO	F24T12HO	F30T12HO	F36T12HO	F42T12HO	F48T12HO	F60T12HO	-	
LAMPS OPERATED	3								
WIRING DIAGRAM #	26								
INPUT WATTS	70	109	111	123	151	161	198		
LINE CURRENT	0.62	0.97	0.99	1.10	1.35	1.43	1.76		
POWER FACTOR	0.93	0.93	0.93	0.93	0.94	0.94	0.94		
BALLAST FACTOR	0.74	0.96	0.83	0.85	0.88	0.88	0.91		
EFFICACY FACTOR	1.07	0.88	0.75	0.69	0.58	0.55	0.46		
THD	38%	36%	36%	36%	35%	35%	33%		
EMI/RFI COMPLIANCE	FCC PART 18-A (NON-CONSUMER)								
SOUND RATING	" A "								
BALLAST TYPE	INSTANT START								
VOLTAGE TRANSIENTS	ANSI C82.11 - 1993								
INPUT/PROTECTION	FUSE								
OUTPUT/PROTECTION	-								
MIN. STARTING TEMP	- 18 °C ( 0 °F )								
MAX. CASE TEMP	70 °C ( 158 °F )								
TYPE "HL" APPROVAL	APPROVED FOR HAZARDOUS LOCATION								
ENERGY STAR 4.0	-								
APPROVALS/CLASS	cUL LISTED, CLASS " P ", 1 OUTDOOR								

Fulham Co., Inc extends limited warranty only to the original purchaser or to the first user for the period of 5 years from the date of manufacture as indicated by the date code stamped on each product and when properly installed and under normal conditions of use. For additional warranty guide line, please refer to our Complete Product Catalog OR call Customer Service at 1-323-599-5000.

DUE TO A PROGRAM OF CONTINUOUS IMPROVEMENT, FULHAM Co., INC RESERVES THE RIGHT TO MAKE ANY VARIATION IN DESIGN OR CONSTRUCTION TO THE EQUIPMENT DESCRIBED.

Address : 12705 South Van Ness Ave., Hawthorne, CA 90250 Tel.: 1-323-599-5000, Fax.: 1-323-754-9060. Website: [www.fulham.com](http://www.fulham.com) 2006-167-10 rev D



## SPECIFICATION SHEET : WH8-120-L

This Is An Original Product From Fulham Co., Inc

RoHS  
COMPLIANT



**Description : WorkHorse Series Versatile, Solid State Electronic Ballast. Small Case Size, High Power Factor, Light Weight, Available In 120/230/277V 60 Hz.**

**This Ballast Will Operate Following Lamps.**



T12HO

### ELECTRICAL DATA ( FOR 120V APPLICATION)

INPUT VOLT: 120V ± 10%, 60Hz									
LAMP WATTS/TYPE	F18T12HO	F24T12HO	F30T12HO	F36T12HO	F42T12HO	F48T12HO	F60T12HO	F64T12HO	F72T12HO
LAMPS OPERATED	2								
WIRING DIAGRAM #	23								
INPUT WATTS	54	82	83	95	111	122	152	157	172
LINE CURRENT	0.48	0.73	0.75	0.85	0.99	1.09	1.36	1.40	1.53
POWER FACTOR	0.92	0.92	0.93	0.93	0.93	0.93	0.93	0.94	0.94
BALLAST FACTOR	0.78	1.02	0.90	0.93	0.94	0.98	1.03	0.97	1.05
EFFICACY FACTOR	1.44	1.25	1.09	0.98	0.85	0.81	0.68	0.62	0.61
THD	38%	38%	37%	37%	37%	36%	35%	35%	34%
EMI/RFI COMPLIANCE	FCC PART 18-A (NON-CONSUMER)								
SOUND RATING	" A "								
BALLAST TYPE	INSTANT START								
VOLTAGE TRANSIENTS	ANSI C82.11 - 1993								
INPUT/PROTECTION	FUSE								
OUTPUT/PROTECTION	-								
MIN. STARTING TEMP	- 18 °C ( 0 °F )								
MAX. CASE TEMP	70 °C ( 158 °F )								
TYPE "HL" APPROVAL	APPROVED FOR HAZARDOUS LOCATION								
ENERGY STAR 4.0	-								
APPROVALS/CLASS	cUL LISTED, CLASS " P ", 1 OUTDOOR								

INPUT VOLT: 120V ± 10%, 60Hz						
LAMP WATTS/TYPE	F84T12HO	F96T12HO 95W	F96T12HO 110W	-	-	-
LAMPS OPERATED	2					
WIRING DIAGRAM #	23					
INPUT WATTS	206	188	224			
LINE CURRENT	1.83	1.68	1.98			
POWER FACTOR	0.94	0.94	0.94			
BALLAST FACTOR	1.04	0.96	1.31			
EFFICACY FACTOR	0.51	0.51	0.58			
THD	33%	34%	32%			
EMI/RFI COMPLIANCE	FCC PART 18-A (NON-CONSUMER)					
SOUND RATING	" A "					
BALLAST TYPE	INSTANT START					
VOLTAGE TRANSIENTS	ANSI C82.11 - 1993					
INPUT/PROTECTION	FUSE					
OUTPUT/PROTECTION	-					
MIN. STARTING TEMP	- 18 °C ( 0 °F )					
MAX. CASE TEMP	70 °C ( 158 °F )					
TYPE "HL" APPROVAL	APPROVED FOR HAZARDOUS LOCATION					
ENERGY STAR 4.0	-					
APPROVALS/CLASS	cUL LISTED, CLASS " P ", 1 OUTDOOR					

Fulham Co., Inc extends limited warranty only to the original purchaser or to the first user for the period of 5 years from the date of manufacture as indicated by the date code stamped on each product and when properly installed and under normal conditions of use. For additional warranty guide line, please refer to our Complete Product Catalog OR call Customer Service at 1-323-599-5000.

DUE TO A PROGRAM OF CONTINUOUS IMPROVEMENT, FULHAM Co., INC RESERVES THE RIGHT TO MAKE ANY VARIATION IN DESIGN OR CONSTRUCTION TO THE EQUIPMENT DESCRIBED.

Address : 12705 South Van Ness Ave., Hawthorne, CA 90250 Tel.: 1-323-599-5000, Fax.: 1-323-754-9060. Website: [www.fulham.com](http://www.fulham.com) 2006-167-11 rev D



## SPECIFICATION SHEET : WH8-120-L

This Is An Original Product From Fulham Co., Inc

RoHS  
COMPLIANT



**Description : WorkHorse Series Versatile, Solid State Electronic Ballast. Small Case Size, High Power Factor, Light Weight, Available In 120/230/277V 60 Hz.**

**This Ballast Will Operate Following Lamps.**



T12VHO

### ELECTRICAL DATA ( FOR 120V APPLICATION)

INPUT VOLT: 120V ± 10%, 60Hz							
LAMP WATTS/TYPE	F48T12VHO	F60T12VHO	F72T12VHO	F96T12VHO	-	-	-
LAMPS OPERATED	1						
WIRING DIAGRAM #	19						
INPUT WATTS	130	138	141	203			
LINE CURRENT	1.16	1.23	1.38	1.81			
POWER FACTOR	0.93	0.93	0.94	0.94			
BALLAST FACTOR	1.10	0.95	0.85	0.92			
EFFICACY FACTOR	0.85	0.69	0.60	0.46			
THD	36%	36%	34%	33%			
EMI/RFI COMPLIANCE	FCC PART 18-A (NON-CONSUMER)						
SOUND RATING	" A "						
BALLAST TYPE	INSTANT START						
VOLTAGE TRANSIENTS	ANSI C82.11 - 1993						
INPUT/PROTECTION	FUSE						
OUTPUT/PROTECTION	-						
MIN. STARTING TEMP	- 18 °C ( 0 °F )						
MAX. CASE TEMP	70 °C ( 158 °F )						
TYPE "HL" APPROVAL	APPROVED FOR HAZARDOUS LOCATION						
ENERGY STAR 4.0	-						
APPROVALS/CLASS	cUL LISTED, CLASS " P ", 1 OUTDOOR						

INPUT VOLT: 120V ± 10%, 60Hz							
LAMP WATTS/TYPE	F71T12HO	F71T12HO	-	-	-	-	-
LAMPS OPERATED	2	3					
WIRING DIAGRAM #	26						
INPUT WATTS	184	241					
LINE CURRENT	1.64	2.14					
POWER FACTOR	0.93	0.94					
BALLAST FACTOR	0.83	0.72					
EFFICACY FACTOR	0.45	0.30					
THD	34%	32%					
EMI/RFI COMPLIANCE	FCC PART 18-A						
SOUND RATING	" A "						
BALLAST TYPE	INSTANT START						
VOLTAGE TRANSIENTS	ANSI C82.11 - 1993 / C62.41						
THERMAL PROTECTION	AUTOMATIC RESETTING THERMAL SWITCH						
MIN. OPERATING TEMP	0 °C ( 32 °F )						
MAX. CASE TEMP	70 °C ( 158 °F )						
ENERGY STAR 4.0	-						
APPROVALS/CLASS	cUL LISTED, CLASS " P ", 1 OUTDOOR						

Fulham Co., Inc extends limited warranty only to the original purchaser or to the first user for the period of 5 years from the date of manufacture as indicated by the date code stamped on each product and when properly installed and under normal conditions of use. For additional warranty guide line, please refer to our Complete Product Catalog OR call Customer Service at 1-323-599-5000.

DUE TO A PROGRAM OF CONTINUOUS IMPROVEMENT, FULHAM Co., INC RESERVES THE RIGHT TO MAKE ANY VARIATION IN DESIGN OR CONSTRUCTION TO THE EQUIPMENT DESCRIBED.

Address : 12705 South Van Ness Ave., Hawthorne, CA 90250 Tel.: 1-323-599-5000, Fax.: 1-323-754-9060. Website: [www.fulham.com](http://www.fulham.com) 2006-167-12 rev D