

DMX INSTALLATION MANUAL PAGE 1

WARNING

Fixtures must be installed by a qualified electrician in accordance with all national and local electrical and construction codes and regulations. Please read through this document entirely before beginning the installation.

RISK OF ELECTRIC SHOCK

- Turn power off before inspection, installation or removal.

Electrical Requirements

- Suitable for wet locations.
- Follow all National Electric Codes (NEC) and local codes.

Notes

- If the external flexible cable or cord of this luminaire is damaged, it shall be replaced by a special cord or cord exclusively available from the manufacturer or his service agent.

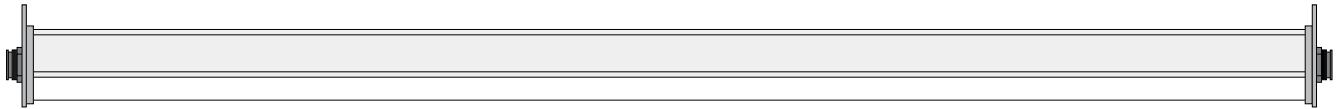
Customer Service

- For technical assistance please call 800-285-6780 x2 or email support@ggled.net

DMX INSTALLATION MANUAL PAGE 2

Supplied Materials

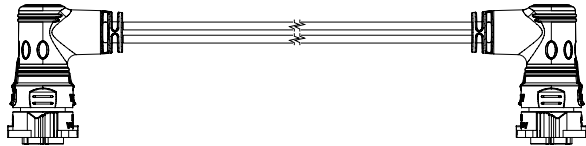
1



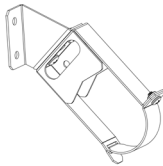
2



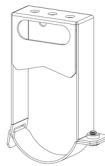
3



4



45° Wall Mount

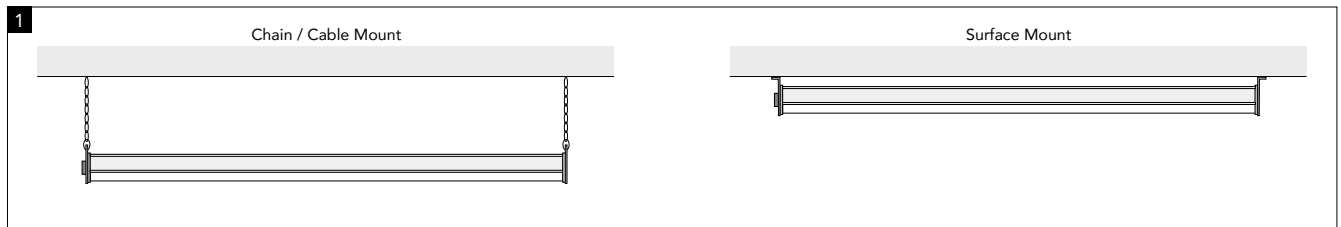


Ceiling Mount

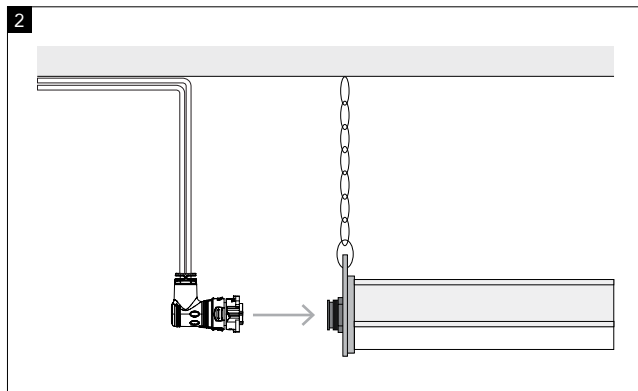
- 1** DMX Series Luminaire(s)
- 2** Leader Cable(s)
- 3** Optional Jumper Cable(s) - Required to Daisy Chain Fixtures
- 4** 45° Wall Mount Brackets (Also available in Ceiling Mount version)

DMX INSTALLATION MANUAL PAGE 3

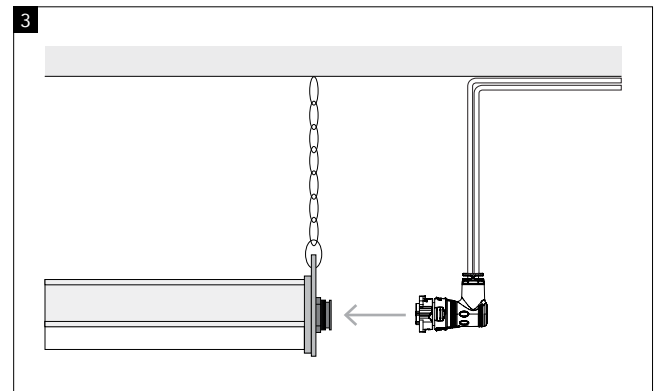
Installation



Mount the fixture(s) in the desired location using either the chain/cable mount for suspended applications or the surface mount bracket to affix directly to the ceiling/surface. For chain/cable mounting use the center mounting hole on the fixture.

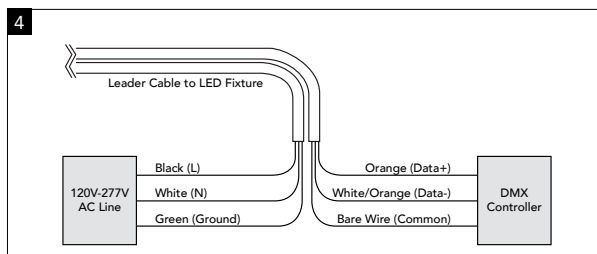


Connect the power leader cable to the male plug on the LED fixture. To do this align the white directional arrows on both the leader cable and fixture connector and push inward. An audible click will be heard and the connector will lock into place.



If daisy chaining fixtures continue mounting fixtures and attach jumper cables as needed using the same push and lock connection method as the leader cable.

Electrical Connections



Wire in the leader cable to the appropriate electrical service and DMX Controller as per the diagram above. For power, black wire to supply (line), white wire to neutral and green wire to ground. For data, orange to data (+), white/orange to data (-) and shield (bare wire) to common. The brown and white/brown combo in the cat 5 are not used and can be cut or capped.