

WPX INSTALLATION MANUAL PAGE 1

WARNING:

Fixtures must be installed by a qualified electrician in accordance with all national and local electrical and construction codes and regulations. Please read through this document entirely before beginning the installation.

NOTES:

- 1.) Ensure the last fixture in every daisy chain is capped. Each leader cable is packaged with an end cap. Failure to cap the fixture will result in water ingress.
- 2.) Do not hot-plug fixtures. Ensure that power to the power supply is off before connecting or disconnecting fixtures.
- 3.) White connector = power input. Mate with white plug on leader cable/jumper cable.
- 4.) Longer jumper cables may be sleeved through PVC (1"), EMT or Wire Mold if desired.

1. Confirm All Components Received

A.) Supplied Materials

- WPX Series Luminaire(s)
- WPX 48V Power Supply(s)
- Leader Cable(s) with End Cap(s)
- Jumper Cable(s) if applicable
- Mounting Clips
- Liquid-tight Cable Glands

B.) Required Materials

- Mounting Screws (depending on mounting surface)



WPX INSTALLATION MANUAL PAGE 2

2. Verify Electrical Plan & Power Supply Load

Verify the fixture layout, power supply and maximum load, using the tables below.

Power Supply	Enclosure	Input Voltage	Max Load Standard Output (SO)	Max Load High Output (HO/Color)
WPX-PSU-600 (600W)	IP67 (Indoor/Outdoor)	120-277VAC	80 Feet	48 Feet
WPX-PSU-480 (480W)	IP67 (Indoor/Outdoor)	120-277VAC	64 Feet	40 Feet
WPX-PSU-320 (320W)	IP67 (Indoor/Outdoor)	120-277VAC	40 Feet	28 Feet
WPX-PSU-240 (240W)	IP67 (Indoor/Outdoor)	120-277VAC	32 Feet	20 Feet
WPX-PSU-120 (120W)	IP67 (Indoor/Outdoor)	120-277VAC	16 Feet	8 Feet
WPX-PSU-80 (80W)	IP67 (Indoor/Outdoor)	120-277VAC	12 Feet	6 Feet

Length & Output	Fixture Watts	Fixtures Supported per Power Supply					
		PSU-80	PSU-120	PSU-240	PSU-320	PSU-480	PSU-600
WPX8 - SO	50 W	1	2	4	5	8	10
WPX6 - SO	37 W	2	3	6	7	9	10
WPX4 - SO	25 W	3	4	8	10	13	15
WPX2 - SO	12 W	6	8	14	20	22	22
WPX8 - HO	80 W	0	1	2	3	5	6
WPX6 - HO	60 W	1	1	3	4	7	8
WPX4 - HO	40 W	1	2	5	7	9	9
WPX2 - HO	20 W	3	4	9	13	16	16
WPX8 - SHO	115 W	0	1	1	2	3	4
WPX4 - SHO	58 W	1	2	3	5	7	8

Table 2.1: Power Supply Specifications

Load/Run Length	1-50 Feet	50-100 Feet	100-150 Feet
1-3 Lights (4A)	16AWG	14AWG	12AWG
4-6 Lights (8A)	14AWG	12AWG	10AWG
7-9 Lights (12A)	12AWG	10AWG	8AWG

Table 2.2: Wire Gauge Table

In some installations, the leader cable must be extended to reach from the fixtures to the power supply. The wire gauge required will depend on the load and the run length (see above). This will limit the voltage drop to ~3V.

WPX INSTALLATION MANUAL PAGE 3

3. Mount Fixtures

WPX series wet location fixtures are typically surface mounted (Ceilings, Walls, etc). If mounting on the ceiling, it is recommended to keep the fixtures 2-3 feet in from the wall.

Mark the clip locations. If possible, use a chalk line and snap a line down the entire length of the run, where the fixtures are intended to be mounted. Next, mark on the line where the mounting clips are to be affixed, using the diagram below for reference. Each WPX8 and WPX6 fixture uses three mounting clips - one near each end, and one in the middle. Each WPX4 and WPX2 uses two mounting clips, one near each end.

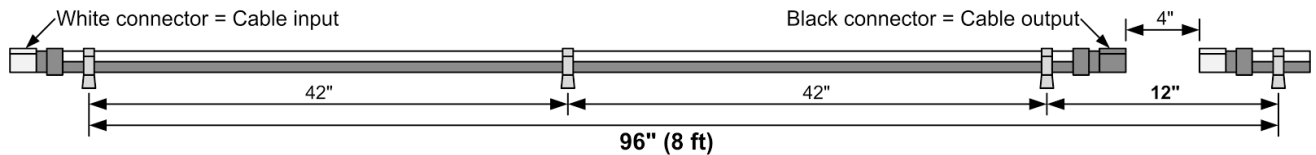


Figure 3.1: Mounting Clip Placement for 1FT Jumper

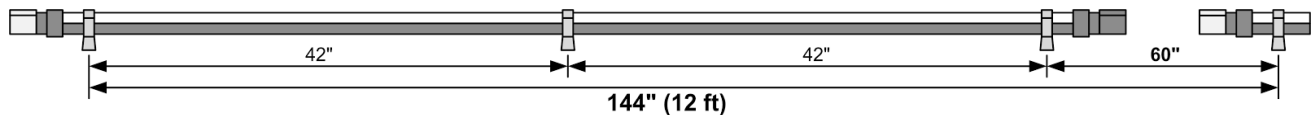


Figure 3.2: Mounting Clip Placement for 4FT Jumper

After marking the clip locations, secure the mounting clips to the wall or ceiling using proper mounting hardware.

Snap the fixtures into position by pressing them up into the mounting clips. Ensure that the white connector is facing toward the cable input (leader cable or jumper) on all fixtures.

4. Mount Power Supplies

The (80W, 120W, 240W, 320W, 480W and 600W) power supplies are rated for wet location use and are designed to be installed without the use of an additional enclosure or wiring box. Placing the supplies in an additional enclosure may prevent proper cooling and cause them to overheat.

WPX INSTALLATION MANUAL PAGE 4

5. Connect Fixtures Together

Install the jumper cables between the mounted fixtures. The 1FT jumper (WPX-JMP1) may be looped for minimum distance between fixtures. Longer cables may be sleeved through PVC, EMT, or wiremold if desired.

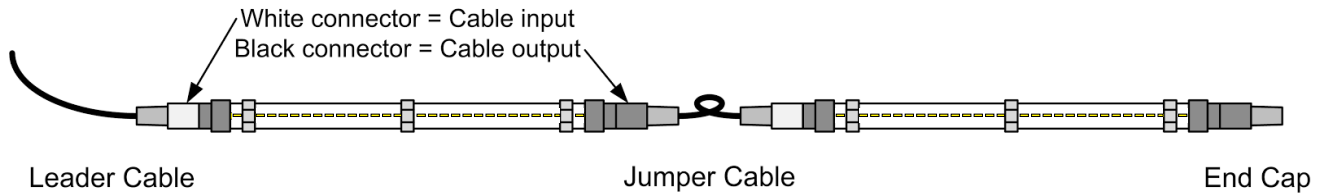


Figure 5.1: Fixture Jumper

6. Attach the End Cap

Ensure the last fixture in every daisy chain is capped. Each leader cable is packaged with an end cap. Failure to cap the fixture will result in water ingress.

7. Connect the Leader Cable and Power Supply

Depending on the distance between the power supply and the first fixture, the leader cable may have to be extended with proper gauge of wire. Please see table 3.2.

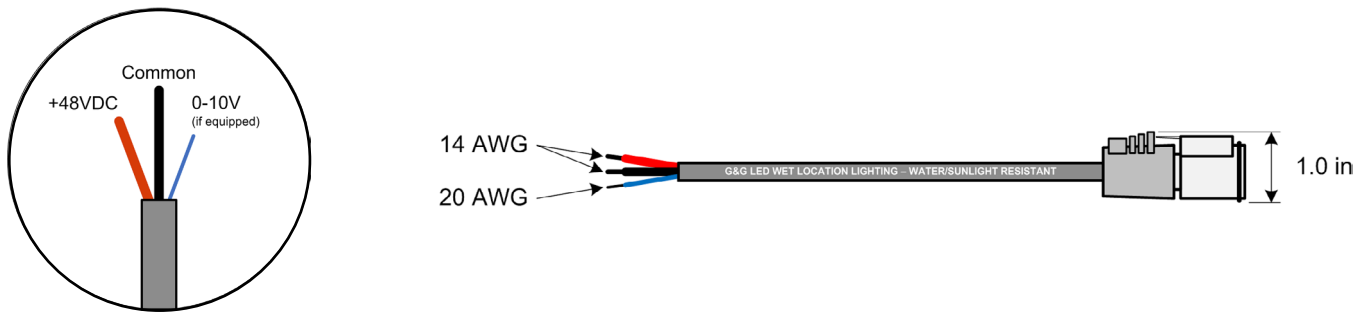


Figure 7.1 and 7.2: Leader Cable Dimensions and Wiring

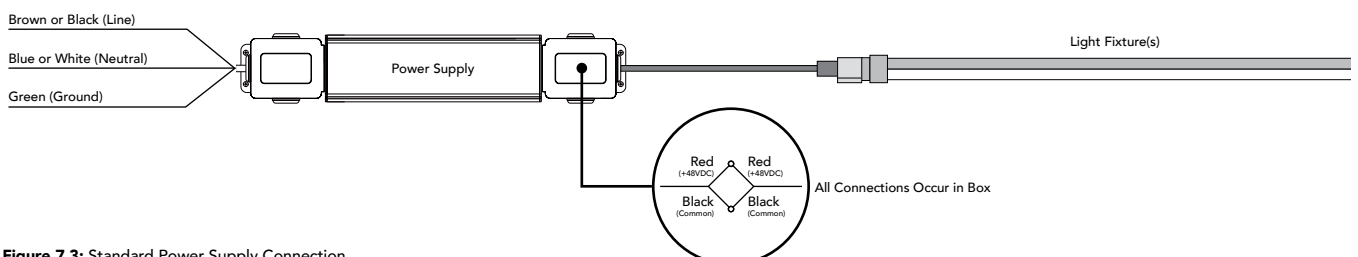


Figure 7.3: Standard Power Supply Connection

WPX INSTALLATION MANUAL PAGE 5

8. Connect 0-10V Dimming Source (If Equipped)

Only fixtures marked with a “-DIM” sticker are capable of being dimmed. G&G LED fixtures may be connected to all standard 0-10V dimming sources, such as wall dimmers, occupancy sensors, and lighting controllers. Please contact G&G Support with any compatibility or hookup questions.

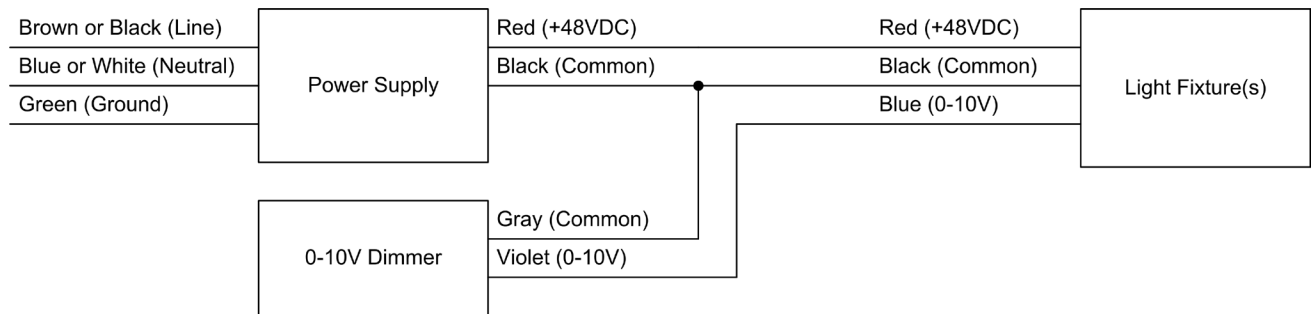


Figure 8.1: Wiring Diagram for Standard 0-10V Dimming Sources

9. Turn the Power ON

If you have any questions throughout the process, please do not hesitate to contact G&G Support: 800-285-6780 x2 or support@ggled.net.