

Project Name:	Type:
Part Number:	Date:

EXTERNAL DRIVER T8

FEATURES

- Replaces 2' / 3' / 4' / U bent T8 Fluorescent lamp
- **Compatible with GREEN CREATIVE external drivers only**
- Flicker Free (percent flicker and flicker index are less than one percent)
- Utilizes existing lamp holders – shunted or non-shunted
- Ultra-high efficacy up to 158 LPW
- Opaque glass lens reduces glare
- 310° wide light emitting area
- 0-10V dimming (dims to 10%)
- Parallel output driver requires no minimum lamp load to operate properly
- Suitable for use in enclosed fixture and damp location
- Meets NSF Requirements (use of a shatter guard required)
- Fixture operating temperature: -4°F to 95°F (-20°C to 35°C)
- Lamp ambient temperature: -4°F to 113°F (-20°C to 45°C)
- Rated lifetime (L70): 50,000hrs
- 5 year limited warranty / 10 year available
(see EXTENDED WARRANTIES table for information)
- Suitable for all indoor general lighting applications



SPECIFICATIONS - LAMP

Product	Model	Nominal Length	Equiv.	Wattage	Lumens	CCT	CRI	Efficacy (LPW)	Beam Angle
98335	14T8/4F/840/EXT	4'	32W	14	2,050	4000K	82	146	160°
98336	14T8/4F/850/EXT	4'	32W	14	2,050	5000K	82	146	160°
98331	11.5T8/4F/830/EXT	4'	32W	11.5	1,600	3000K	82	139	160°
98332	11.5T8/4F/835/EXT	4'	32W	11.5	1,650	3500K	82	143	160°
98333	11.5T8/4F/840/EXT	4'	32W	11.5	1,700	4000K	82	148	160°
98334	11.5T8/4F/850/EXT	4'	32W	11.5	1,700	5000K	82	148	160°
98328	10.5T8/3F/830/EXT	3'	25W	10.5	1,450	3000K	82	138	160°
98329	10.5T8/3F/835/EXT	3'	25W	10.5	1,500	3500K	82	143	160°
98330	10.5T8/3F/840/EXT	3'	25W	10.5	1,600	4000K	82	152	160°
98325	9.5T8/2F/830/EXT	2'	17W	9.5	1,350	3000K	82	142	160°
98326	9.5T8/2F/835/EXT	2'	17W	9.5	1,400	3500K	82	147	160°
98327	9.5T8/2F/840/EXT	2'	17W	9.5	1,500	4000K	82	158	160°
98337	14.5T8U6/830/EXT	U-6	32W	14.5	2,000	3000K	82	138	160°
35461	14.5T8U6/835/EXT	U-6	32W	14.5	2,000	3500K	82	138	160°
98338	14.5T8U6/840/EXT	U-6	32W	14.5	2,200	4000K	82	152	160°
98339	14.5T8U6/850/EXT	U-6	32W	14.5	2,200	5000K	82	152	160°

SPECIFICATIONS - EXTERNAL DRIVER

Product	Model	Max. Lamp Quantity	Input Voltage (V)	Input Freq. (Hz)	Max. Input Current (A)	Output Voltage (V)	Output Current (A)	Dim.	Max Case Temperature (°C/°F)	Power Factor	THD
98259	15T8T5HEDRIVER/2CH/R	2	120-277	50/60	0.31	DC 30-48	0.3 * 2	0-10V	90/194	0.9	<20%
98260	15T8T5HEDRIVER/4CH/R	4	120-277	50/60	0.6	DC 30-48	0.3 * 4	0-10V	90/194	0.9	<20%

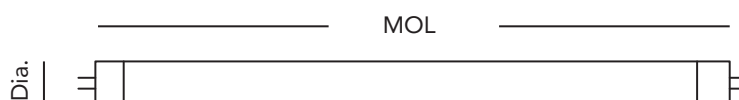


EXTERNAL DRIVER T8

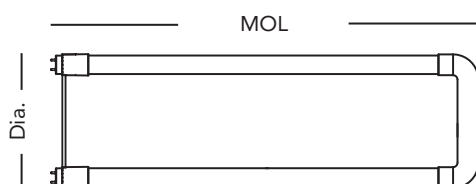
SPECIFICATIONS - LAMP & DRIVER SYSTEM

External Driver Information			98259				98260			
			15T8T5HEDRIVER/2CH/R				15T8T5HEDRIVER/4CH/R			
			1 Lamp		2 Lamps		3 Lamps		4 Lamps	
Product	Model	CCT	System Power	Flux	System Power	Flux	System Power	Flux	System Power	Flux
98335	14T8/4F/840/EXT	4000K	16	2,050	32	4,100	48	6,150	64	8,200
98336	14T8/4F/850/EXT	5000K	16	2,050	32	4,100	48	6,150	64	8,200
98331	11.5T8/4F/830/EXT	3000K	13	1,600	26	3,200	39	4,800	52	6,400
98332	11.5T8/4F/835/EXT	3500K	13	1,650	26	3,300	39	4,950	52	6,600
98333	11.5T8/4F/840/EXT	4000K	13	1,700	26	3,400	39	5,100	52	6,800
98334	11.5T8/4F/850/EXT	5000K	13	1,700	26	3,400	39	5,100	52	6,800
98328	10.5T8/3F/830/EXT	3000K	12.5	1,450	25	2,900	37.5	4,350	50	5,800
98329	10.5T8/3F/835/EXT	3500K	12.5	1,500	25	3,000	37.5	4,500	50	6,000
98330	10.5T8/3F/840/EXT	4000K	12.5	1,600	25	3,200	37.5	4,800	50	6,400
98325	9.5T8/2F/830/EXT	3000K	11	1,350	22	2,700	33	4,050	44	5,400
98326	9.5T8/2F/835/EXT	3500K	11	1,400	22	2,800	33	4,200	44	5,600
98327	9.5T8/2F/840/EXT	4000K	11	1,500	22	3,000	33	4,500	44	6,000
98337	14.5T8U6/830/EXT	3000K	17	2,000	34	4,000	51	6,000	68	8,000
35461	14.5T8U6/835/EXT	3500K	17	2,000	34	4,000	51	6,000	68	8,000
98338	14.5T8U6/840/EXT	4000K	17	2,200	34	4,400	51	6,600	68	8,800
98339	14.5T8U6/850/EXT	5000K	17	2,200	34	4,400	51	6,600	68	8,800

DIMENSION & WEIGHT



Model	9.5T8/2F/xxx/EXT	10.5T8/3F/xxx/EXT	11.5T8/4F/xxx/EXT 14T8/4F/xxx/EXT
Base	G13	G13	G13
MOL	23-3/4"	35-3/4"	47-3/4"
Dia.	1-1/8"	1-1/8"	1-1/8"
Weight	0.26lb	0.4lb	0.49lb



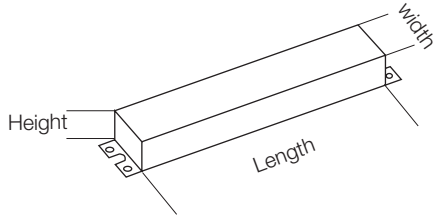
Model	14.5T8U6/xxx/EXT
Base	G13
MOL	22-7/16"
Dia.	7-1/16"
Weight	0.56lb

Where xxx means 824-965 which indicates CRI and color temperature



EXTERNAL DRIVER T8

DIMENSION & WEIGHT



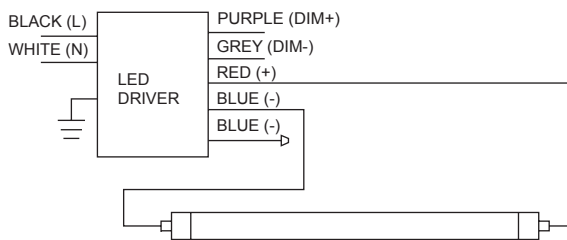
Model	15T8T5HEDRIVER/2CH/R 15T8T5HEDRIVER/4CH/R
Length	9-1/2"
Width	1-5/16"
Height	1-3/16"
Weight	1.0 lb

INSTALLATION

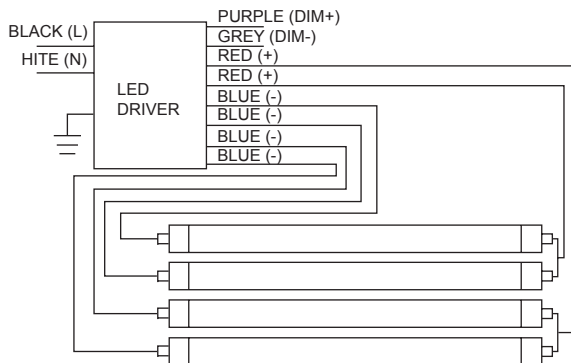
Double-ended Installation

- For shunted & non-shunted lamp holders
- Not polarity sensitive, lamps can be wired at either end

1 LAMP



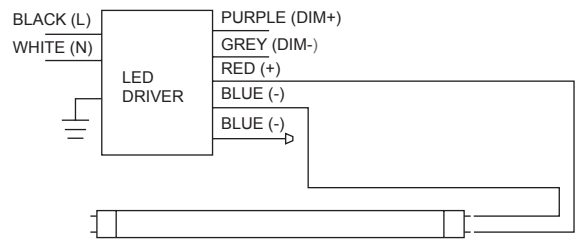
4 LAMPS



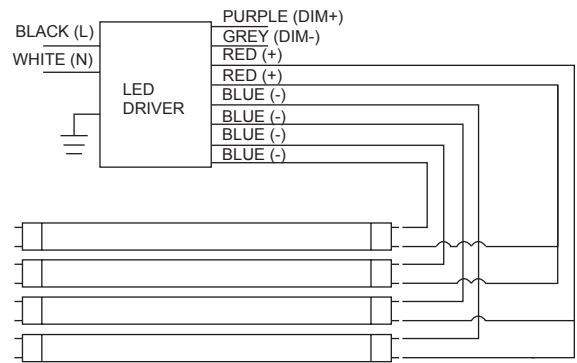
Single-ended Installation

- For non-shunted lamp holders only
- Not polarity sensitive, lamps can be wired at either end

1 LAMP



4 LAMPS



EXTENDED WARRANTIES**

Model	Description***
9.5T8/2F/EXT/10YEARWARRANTY	10 Year warranty for 9.5T8/2F/8xx/EXT/yy
10.5T8/3F/EXT/10YEARWARRANTY	10 Year warranty for 10.5T8/3F/8xx/EXT/yy
11.5T8/4F/EXT/10YEARWARRANTY	10 Year warranty for 11.5T8/4F/8xx/EXT/yy
14T8/4F/EXT/10YEARWARRANTY	10 Year warranty for 14T8/4F/8xx/EXT/yy
14.5T8/U6/EXT/10YEARWARRANTY	10 Year warranty for 14.5T8U6/8xx/EXT/yy

** Warranty based on a maximum of 4,368 annual operating hours (per year for ten years) and exposure to a maximum ambient temperature of 80°F / 27°C.

*** xx - Refers to the CCT yy - Refers to model generations within the same nominal performance. Typically blank, 'R', or 'RC'