

Project Name:	Type:
Part Number:	Date:

# EXTERNAL DRIVER T5

## FEATURES

- Replaces 2' / 3' / 4' T5 & 4' T5HO Fluorescent lamp
- **Compatible with GREEN CREATIVE external drivers only**
- Flicker Free (percent flicker and flicker index are less than one percent)
- Utilizes existing lamp holders – shunted or non-shunted
- Ultra-high efficacy up to 155 LPW
- Opaque plastic lens reduces glare
- 270° wide light emitting area
- 0-10V dimming (dims to 10%)
- Parallel output driver requires no minimum lamp load to operate properly
- Suitable for use in enclosed fixture and damp location
- Meets NSF Requirements (use of a shatter guard required)
- Fixture operating temperature: -4°F to 95°F (-20°C to 35°C)
- Lamp ambient temperature: -4°F to 113°F (-20°C to 45°C)
- Rated lifetime (L70): 50,000hrs
- 5 year limited warranty / 10 year available  
(see EXTENDED WARRANTIES table for information)
- Suitable for indoor general lighting & industrial high bay application
- Lamp and driver DLC listed as a system (4' T5 lamp based systems only;  
DLC does not qualify 2' or 3' T5 lamps at this time)



## SPECIFICATIONS - LAMP

Product	Model	Nominal Length	Equiv.	Wattage	Lumens	CCT	CRI	Efficacy (LPW)	Beam Angle
98321	22T5HO/4F/830/EXT	4'	54W	22	3,200	3000K	82	145	120°
98322	22T5HO/4F/835/EXT	4'	54W	22	3,200	3500K	82	145	120°
98323	22T5HO/4F/840/EXT	4'	54W	22	3,400	4000K	82	155	120°
98324	22T5HO/4F/850/EXT	4'	54W	22	3,400	5000K	82	155	120°
98312	13.5T5HE/4F/830/EXT	4'	28W	13.5	1,800	3000K	82	133	120°
98313	13.5T5HE/4F/835/EXT	4'	28W	13.5	1,850	3500K	82	137	120°
98314	13.5T5HE/4F/840/EXT	4'	28W	13.5	2,000	4000K	82	148	120°
98309	11T5HE/3F/830/EXT	3'	21W	11	1,500	3000K	82	136	120°
98310	11T5HE/3F/835/EXT	3'	21W	11	1,550	3500K	82	141	120°
98311	11T5HE/3F/840/EXT	3'	21W	11	1,650	4000K	82	150	120°
98306	9.5T5HE/2F/830/EXT	2'	14W	9.5	1,350	3000K	82	142	120°
98307	9.5T5HE/2F/835/EXT	2'	14W	9.5	1,400	3500K	82	147	120°
98308	9.5T5HE/2F/840/EXT	2'	14W	9.5	1,500	4000K	82	158	120°



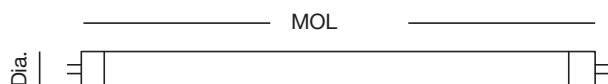
# EXTERNAL DRIVER T5

SPECIFICATIONS - EXTERNAL DRIVER											
Product	Model	Max. Lamp Quantity	Input Voltage (V)	Input Freq. (Hz)	Max. Input Current (A)	Output Voltage (V)	Output Current (A)	Dim.	Max Case Temperature (°C/°F)	Power Factor	THD
98259	15T8T5HEDRIVER/2CH/R	2	120-277	50/60	0.31	DC 30-48	0.30 * 2	0-10V	90/194	0.9	<20%
98260	15T8T5HEDRIVER/4CH/R	4	120-277	50/60	0.60	DC 30-48	0.30 * 4	0-10V	90/194	0.9	<20%
98261	24T5HODRIVER/2CH/R	2	120-277	50/60	0.48	DC 24-42	0.55 * 2	0-10V	90/194	0.9	<20%
98262	24T5HODRIVER/4CH/R	4	120-277	50/60	0.94	DC 24-42	0.55 * 4	0-10V	85/185	0.9	<20%

SPECIFICATIONS - LAMP & DRIVER SYSTEM											
External Driver Information			98259				98260				
			15T8T5HEDRIVER/2CH/R				15T8T5HEDRIVER/4CH/R				
Lamp Information			1 Lamp		2 Lamps		3 Lamps		4 Lamps		
			Product	Model	CCT	System Power	Flux	System Power	Flux	System Power	Flux
98312	13.5T5HE/4F/830/EXT	3000K	15	1,800	30	3,600	45	5,400	60	7,200	
98313	13.5T5HE/4F/835/EXT	3500K	15	1,850	30	3,700	45	5,550	60	7,400	
98314	13.5T5HE/4F/840/EXT	4000K	15	2,000	30	4,000	45	6,000	60	8,000	
98309	11T5HE/3F/830/EXT	3000K	13	1,500	26	3,000	39	4,500	52	6,000	
98310	11T5HE/3F/835/EXT	3500K	13	1,550	26	3,100	39	4,650	52	6,200	
98311	11T5HE/3F/840/EXT	4000K	13	1,650	26	3,300	39	4,950	52	6,600	
98306	9.5T5HE/2F/830/EXT	3000K	12	1,350	24	2,700	36	4,050	48	5,400	
98307	9.5T5HE/2F/835/EXT	3500K	12	1,400	24	2,800	36	4,200	48	5,600	
98308	9.5T5HE/2F/840/EXT	4000K	12	1,500	24	3,000	36	4,500	48	6,000	

SPECIFICATIONS - LAMP & DRIVER SYSTEM											
External Driver Information			98261				98262				
			24T5HODRIVER/2CH/R				24T5HODRIVER/4CH/R				
Lamp Information			1 Lamp		2 Lamps		3 Lamps		4 Lamps		
			Product	Model	CCT	System Power	Flux	System Power	Flux	System Power	Flux
98321	22T5HO/4F/830/EXT	3000K	26	3,200	52	6,400	78	9,600	104	12,800	
98322	22T5HO/4F/835/EXT	3500K	26	3,200	52	6,400	78	9,600	104	12,800	
98323	22T5HO/4F/840/EXT	4000K	26	3,400	52	6,800	78	10,200	104	13,600	
98324	22T5HO/4F/850/EXT	5000K	26	3,400	52	6,800	78	10,200	104	13,600	

## DIMENSION & WEIGHT



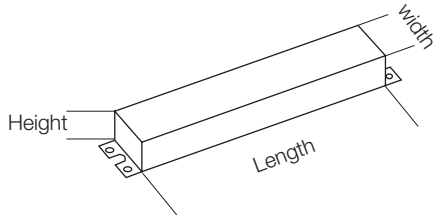
Model	9.5T5HE/2F/xxx/EXT	11T5HE/3F/xxx/EXT	13.5T5HE/4F/xxx/EXT 22T5HO/4F/xxx/EXT
Base	G5	G5	G5
MOL	22"	34"	45-3/4"
Dia.	11/16"	11/16"	11/16"
Weight	0.17lb	0.26lb	0.33lb

Where xxx means 824-965 which indicates CRI and color temperature



# EXTERNAL DRIVER T5

## DIMENSION & WEIGHT



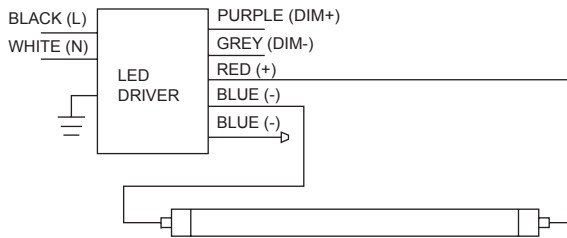
Model	15T8T5HEDRIVER/2CH/R 15T8T5HEDRIVER/4CH/R 24T5HODRIVER/2CH/R	24T5HODRIVER/4CH/R
Length	9-1/2"	9-1/2"
Width	1-5/16"	1-3/4"
Height	1-3/16"	1-3/16"
Weight	1.0 lb	1.4 lb

## INSTALLATION

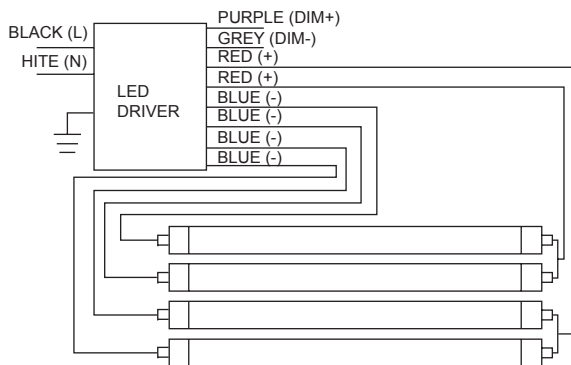
### Double-ended Installation

- For shunted & non-shunted lamp holders
- Not polarity sensitive, lamps can be wired at either end

#### 1 LAMP



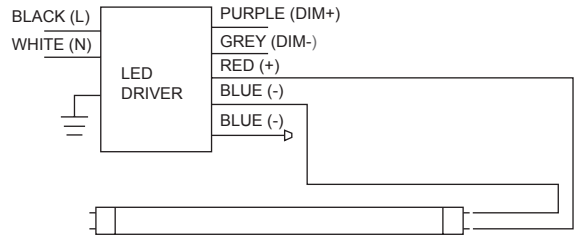
#### 4 LAMPS



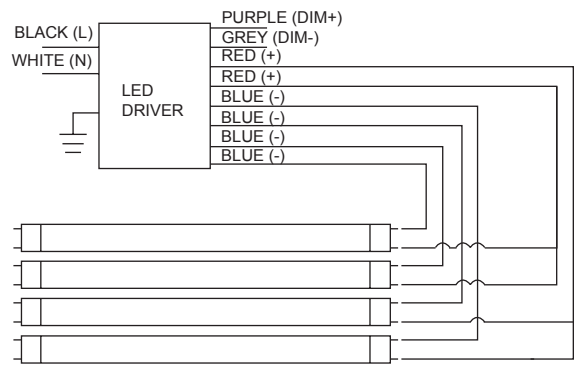
### Single-ended Installation

- For non-shunted lamp holders only
- Not polarity sensitive, lamps can be wired at either end

#### 1 LAMP



#### 4 LAMPS



## EXTENDED WARRANTIES\*\*

Model	Description***
9.5T5/2F/EXT/10YEARWARRANTY	10 Year warranty for 9.5T5HE/2F/8xx/EXT/yy
11T5/3F/EXT/10YEARWARRANTY	10 Year warranty for 11T5HE/3F/8xx/EXT/yy
13.5T5/4F/EXT/10YEARWARRANTY	10 Year warranty for 13.5T5HE/4F/8xx/EXT/yy
15T8T5HEDRIVER/10YEARWARRANTY/2CH	10 Year warranty for 15T8T5HEDRIVER/2CH/yy
15T8T5HEDRIVER/10YEARWARRANTY/4CH	10 Year warranty for 15T8T5HEDRIVER/4CH/yy

\*\* Warranty based on a maximum of 4,368 annual operating hours (per year for ten years) and exposure to a maximum ambient temperature of 80°F / 27°C.

\*\*\* xx – Refers to the CCT yy – Refers to model generations within the same nominal performance. Typically blank, 'R', or 'RC'