

Project Name:	Type:
Part Number:	Date:

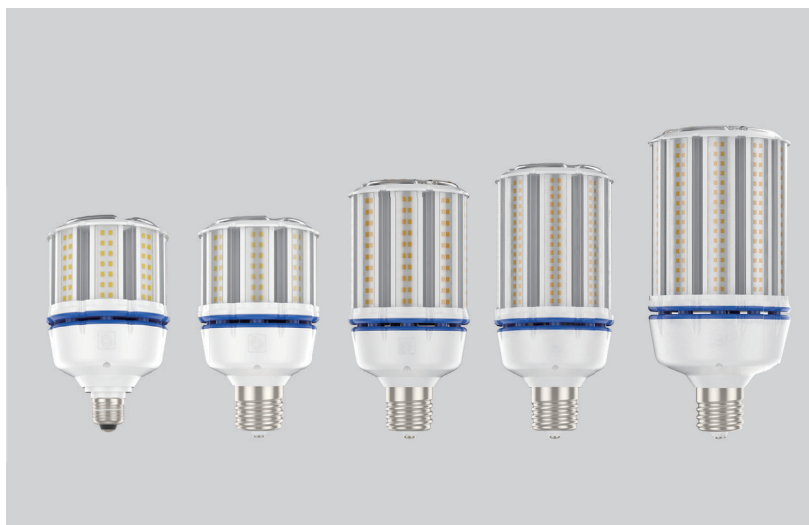


GREENCREATIVE

HID POST TOP LAMP

FEATURES

- Integral driver suitable for 120-277V
- Replaces 100W/175W/250W/400W HID
- Fully omnidirectional 320° beam angle
- Suitable for use in totally enclosed fixtures*
- Suitable for damp locations
- Not suitable for use in horizontal applications
- Lamp ambient temperature: -4°F to 95°F (-20°C to 35°C)
- Rated lifetime (L70): 50,000hrs
- 5 year limited warranty
- Supplied with safety cable to provide secondary support



ETL CLASSIFIED



SPECIFICATIONS

Product	Model	Equiv. (HID)	Input Voltage	Wattage	Lumens	CCT	CRI	Efficacy (LPW)	Beam Angle	Power Factor	THD	Fixture Rating	DLC
98087	37HID/830/277V/E26	100-175W	120-277V	37	4,700	3000K	82	127	320°	0.9	<20%	Enclosed	N.A.
98088	37HID/840/277V/E26	100-175W	120-277V	37	5,200	4000K	82	141	320°	0.9	<20%	Enclosed	N.A.
98089	37HID/850/277V/E26	100-175W	120-277V	37	5,200	5000K	82	141	320°	0.9	<20%	Enclosed	N.A.
98084	37HID/830/277V/EX39	100-175W	120-277V	37	4,700	3000K	82	127	320°	0.9	<20%	Enclosed	√
98085	37HID/840/277V/EX39	100-175W	120-277V	37	5,200	4000K	82	141	320°	0.9	<20%	Enclosed	√
98086	37HID/850/277V/EX39	100-175W	120-277V	37	5,200	5000K	82	141	320°	0.9	<20%	Enclosed	√
98090	54HID/830/277V/EX39	175-250W	120-277V	54	7,300	3000K	82	135	320°	0.9	<20%	Enclosed	√
98091	54HID/840/277V/EX39	175-250W	120-277V	54	7,550	4000K	82	140	320°	0.9	<20%	Enclosed	√
98092	54HID/850/277V/EX39	175-250W	120-277V	54	7,550	5000K	82	140	320°	0.9	<20%	Enclosed	√
98097	68HID/840/277V/EX39	175-250W	120-277V	68	9,500	4000K	82	140	320°	0.9	<20%	Enclosed	√
98098	68HID/850/277V/EX39	175-250W	120-277V	68	9,500	5000K	82	140	320°	0.9	<20%	Enclosed	√
35492	100HID/840/277V/EX39/R	250-400W	120-277V	100	14,000	4000K	82	140	320°	0.9	<20%	Enclosed	√
35493	100HID/850/277V/EX39/R	250-400W	120-277V	100	14,000	5000K	82	140	320°	0.9	<20%	Enclosed	√

*MINIMUM COMPARTMENT DIMENSIONS (FOR ENCLOSED FIXTURES)

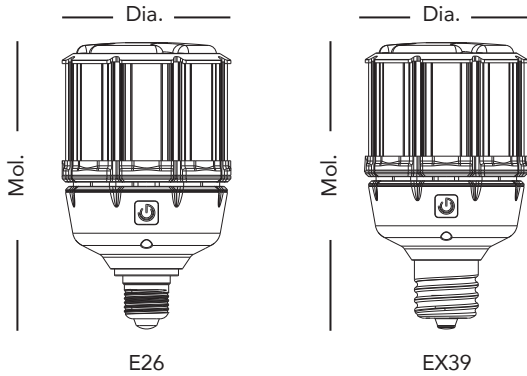
Model	Length	Width	Height
37HID/xxx/277V/E26	6-5/16"	6-5/16"	7-1/2"
37HID/xxx/277V/EX39	6-5/16"	6-5/16"	7-1/2"
54HID/xxx/277V/EX39	6-5/16"	6-5/16"	9-13/16"
68HID/xxx/277V/EX39	6-5/16"	6-5/16"	9-13/16"
100HID/xxx/277V/EX39/R	6-5/16"	6-5/16"	11-7/16"

Installing lamp in a fixture that does not have the minimum compartment dimensions will void the warranty and could cause product failures.



HID POST TOP LAMP

DIMENSION & WEIGHT



Model	Base	Mol.	Dia.	Weight
37HID/xxx/277V/E26	E26	6-7/8"	3-7/8"	1.66lb
37HID/xxx/277V/EX39	EX39	6-7/8"	3-7/8"	1.71lb
54HID/xxx/277V/EX39	EX39	8-1/4"	3-7/8"	2.02lb
68HID/xxx/277V/EX39	EX39	8-5/8"	3-7/8"	2.20lb
100HID/xxx/277V/EX39/R	EX39	10"	4-9/16"	3.48lb

Where xxx means 824-965 which indicates CRI and color temperature

MOUNTING ORIENTATION

Horizontal Installation	Vertical Installation

SUPPLIED ACCESSORY

Description	Picture	Length
Safety Cable		31-1/2"

OPTIONAL ACCESSORY ORDERING INFORMATION

Product	Model	Description	Picture	Dimensions
97718	10SURGE/277V	10 kV Surge Protector (For use in outdoor and other applications subject to high surge conditions)		
35050	E39 EXTENDER	EX39 Lamp Extender Adds 1-11/16" to Lamp Height		