

AC Switches 40 and 60 Ampere, 600 Volts AC

Industrial – Heavy Duty AC Manual Motor Controllers, Double and Three Pole (Without Overload Protection) and Enclosures

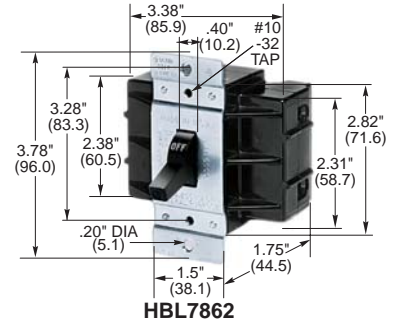


IP44*
SUITABILITY

40A 600V AC Manual Motor Controllers

Description	Catalog Numbers
40A, double pole, single throw, AC manual motor controller, black nylon handle, side wired.	HBL7842
40A, three pole, single throw, AC manual motor controller, black nylon handle, side wired.	HBL7843

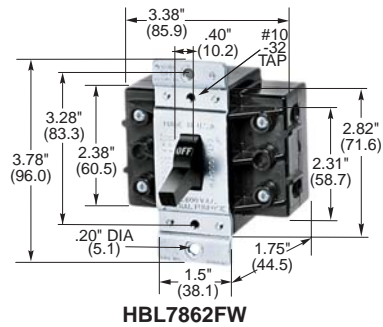
Note: Catalog numbers HBL7842 & HBL7843 dimensions are the same as HBL7810BW shown on C-17.



60A 600V AC Manual Motor Controllers

Description	Catalog Numbers
60A, double pole, single throw, AC manual motor controller, black nylon handle, back wired.	HBL7862
Same as HBL7862 except front wired.	HBL7862FW
HBL7862FW in Type 3R enclosure.	HBL16R92
60A, three pole, single throw, AC manual motor controller, black nylon handle, back wired.	HBL7863
Same as HBL7863 except front wired.	HBL7863FW
HBL7863FW in a Type 3R enclosure.	HBL16R93

Note: For technical data, see page C-27.



Enclosure Only

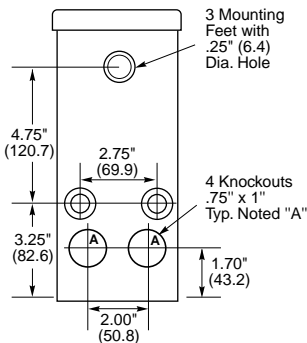
Description	Catalog Number
Type 3R metal enclosure without switch.	HBL16R90

Note: 40 and 60A manual motor controllers are suitable for use with enclosure cat. no. HBL16R90.

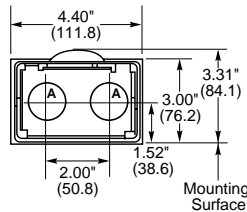
* Enclosure rating.



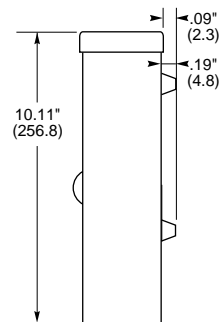
Product	Motor Rating				
	120V AC	240V AC	480V AC	600V AC	Phase
40A Double Pole	2HP	5HP	10HP	15HP	1
40A Three Pole	3HP	7 1/2HP	15HP	20HP	3
60A Double Pole	-	10HP	15HP	20HP	1
60A Three Pole	-	10HP	25HP	30HP	3



BACK VIEW
HBL16R90/HBL16R92/HBL16R93



END VIEW
HBL16R90/HBL16R92/HBL16R93



SIDE VIEW
HBL16R90/HBL16R92/HBL16R93

