

# Hubbell Gives You More Ways to Charge Faster

## USB Charging Centers



## Meet Our USB Line Up

Long Lasting USB Stainless Steel Ports Rated for Minimum 10,000 Insertions and Removals

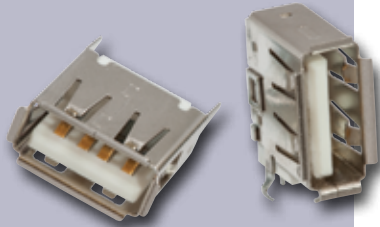
# USB Charger Receptacles and Outlets

Q & A

Hubbell's USB Charger 4 Port Outlet is able to charge multiple portable devices simultaneously.



## Heavy Duty Stainless Steel USB Ports



- Rated for minimum 10,000 insertions and removals
- Extends longevity to many years
- Firm holding connections

These receptacles/outlets are capable of delivering between 2.1 to 5 Amps, 5V DC of USB power. If multiple portable devices are plugged in, the individual ports will allocate power as determined by the portable devices. Suitable for use on circuits with AFCI and GFCI protection.

## Why Design with a USB Charger?

- The USB Receptacle is a permanent solution for device charging, compatible with all USB powered portable devices. No more misplaced chargers or dealing with outlet clutter.
- The Hubbell USB Receptacle is designed to last. Its current transformer converts AC power to DC, providing clean, stable power, low heat, and longevity. Plug-in cubes and adapters tend to have a short product life, making the USB Receptacle the economical choice.
- Offering a full 3.8 Amps of power at 5V DC, the Hubbell USB Duplex has the power to charge your device quickly. The 4 Port has 5 Amps of available power for a similarly rapid charge.

## Performance vs. Energy

- While our devices provide a fast charge, they also excel in efficiency when not in use. When it is not active, the USB Duplex enters a sleep mode and consumes minimal power. The 4 Port cuts power completely when the shutter is closed, making it our "Go Green" recommendation.

## Where Should a USB Charger be Installed?

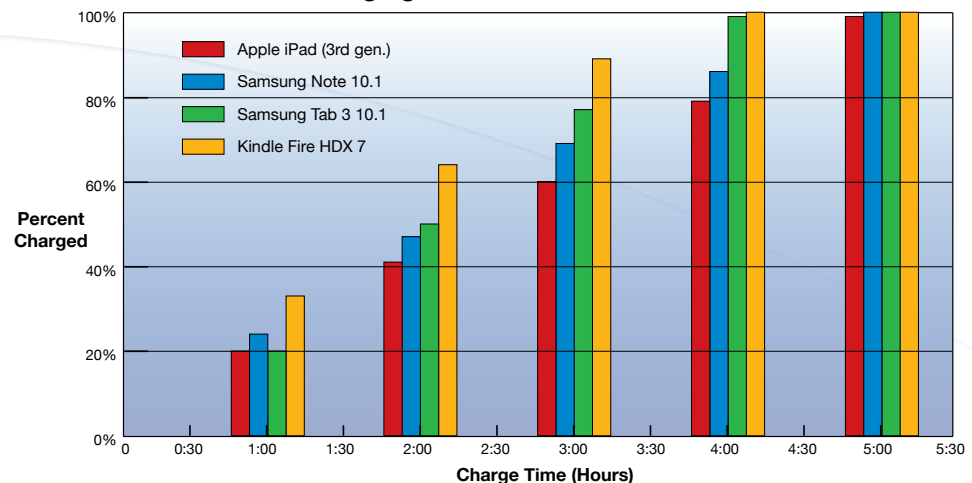
- Anywhere people work, meet or rest, they need access to charging power. Common spaces for charging include desks, counter-tops and end-tables. If you've seen a portable charger in a wall-box, it's a good choice for a permanent solution.
- It's not just for private homes: USB Receptacles are quickly becoming a standard in offices, airports, hospitals and other commercial spaces. From nurses who use tablets for patient care to business people charging their phones before their flights, everyone needs a quick charge -- and the Hubbell USB Receptacle line is the best choice for the job!

For more information visit [www.hubbell-wiring.com](http://www.hubbell-wiring.com), go to FAQ under the Technical tab.

## How Fast Does it Charge?

There are many variables which determine total charging time like battery age, cord quality and length, and device condition. Hubbell's USB Chargers are designed to deliver more amperage. This enables you to get more power immediately when plugging in multiple portable devices. The individual ports will allocate power as determined by the portable devices. Below is testing done on some of the most popular products.

Charging Time with 4 Port USB Outlet



[www.hubbell-wiring.com](http://www.hubbell-wiring.com)



# USB Charger Receptacles and Outlets

## Applications

Hubbell's USB Charger Duplex Receptacle provides both USB and electrical power in a standard single gang opening to provide more charging options.

Ideal for use in new construction and in double gang combinations with outlets.



## Typical Applications

Ideal for use in new construction and renovation to add capacity for USB charging. Especially suited for use in:

- Offices
- Hospitals
- Hotels
- Airports
- Schools
- Homes

Spring activated door keeps USB ports protected. Shuts off power when not in use.



## USB Device Power Specifications

Device	Full Load Watts	No Load Watts	LED Indication	Max. USB Output	Smart IC on Data Pins†
Duplex Receptacle	21.8W	0.104W	Always ON	3.8A	Yes
Duplex SNAP Receptacle	17.1W	0.07W	ON w/USB Charge	3.0A	No
4 Port Charger	30.6W	0W*	On w/Door Open	5.0A	Yes
2 Port OEM Charger	17.1W	0W*	On w/Door Open	3.0A	No
2 Port Raceway Module	13.6W	0.05W	ON w/USB Charge	2.4A	No
2 Port Switch Combo	11.8W	0.07W	No LED	2.1A	Yes

Note: \*With door open and no device connected.

†Detects portable device and optimally sets data pins for maximum current output.



## Designed for use with:

- Apple® Products
  - iPad®
  - iPod®
  - iPhone®
- Tablet computers
- Digital Readers
- Mobile Phones
- MP3 Players
- Smart Phones
- Smart Watches
- GPS
- USB fans, lights and accessories
- Other USB compatible products

Apple, iPad, iPod and iPhone are registered trademarks of Apple Inc.

# USB Charger Receptacles and Outlets

## Features

### More Ways to Charge Faster

Hubbell's USB Charger Duplex Receptacle provides both USB and electrical power in a standard single gang opening. Designed to provide maximum charging for portable electronics, the USB ports are capable of charging two tablets simultaneously.

The 4 Port Charger Outlet features a USB port door, which when open enables power. When closed, all power is switched off. This eliminates all current flow for a "zero" no-load draw. Buildings looking to provide 100% green efficiency in power delivery will maximize LEED and energy efficient design.

### Common Features

- Green LED indicator to show USB power available
- USB stainless steel ports rated for minimum 10,000 insertions and removals
- Complies with battery charging specification BC1.2
- Compatible with USB 1.1/2.0/3.0 devices, including Apple® products

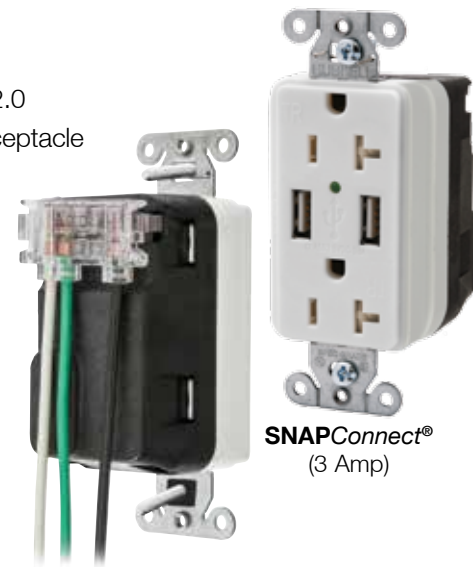
## USB Charger Duplex Receptacles



**Duplex TR**  
(3.8 Amp)

### Receptacles Features

- Two USB ports, 5V DC, type A, class 2.0
- Tamper-Resistant decorator duplex receptacle
- Standard and Hospital grade
- cULus listed to UL498 and UL1310



**SNAPConnect®**  
(3 Amp)

## USB Charger Outlets and Switch Combo



**4 Port**  
(5 Amp)



**2 Port**  
(3 Amp)

### 4 Port and 2 Port Features

- Four or Two USB ports, 5V DC, type A, class 2.0
- Switch activated port door; when open enables power. When closed, all power is switched off, for a "zero" no-load draw
- Shallow depth design for two port
- 4 port USB - cETLus listed to UL1310
- 2 port USB - cULus listed to UL1310

### Switch Combo Features

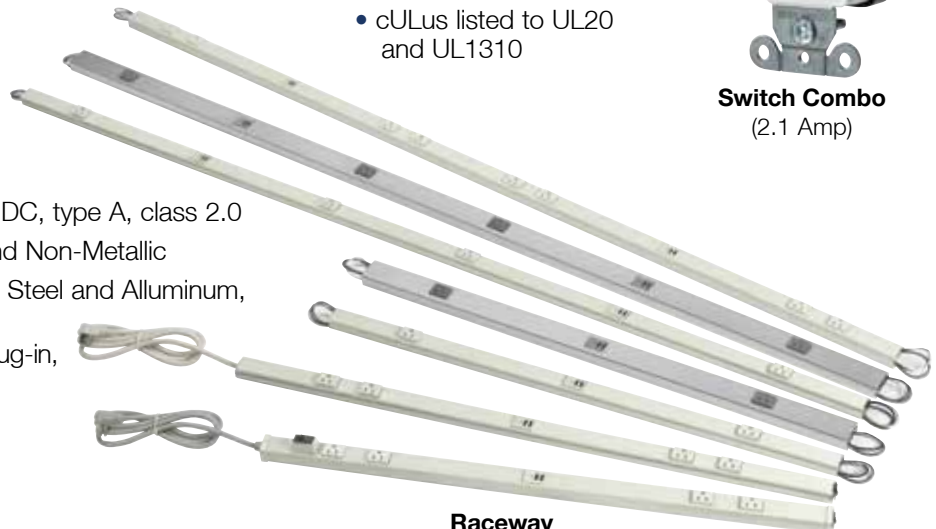
- Two USB ports, 5V DC, type A, class 2.0
- Isolated 15 Amp, 120V AC single pole/3-way switch
- cULus listed to UL20 and UL1310



**Switch Combo**  
(2.1 Amp)

### Raceway Features

- Two USB ports, 5V DC, type A, class 2.0
- Steel, Aluminum, and Non-Metallic
- cULus listed to UL5 Steel and Aluminum, UL5A Non-Metallic, UL1363 Portable Plug-in, and UL1310



**Raceway**  
(2.4 Amp)

Apple is a registered trademark of Apple Inc.



# USB Charger Receptacles and Outlets

Ordering Information



## Standard USB Charger Duplex Receptacles

Description	Color	15A 125V AC	20A 125V AC
USB Charger Tamper-Resistant Receptacle, two USB type 2.0 ports, 3.8 Amp, 5 Volt DC, 15 or 20 Amp, 125 Volt AC, Style Line® decorator duplex	Black	<b>USB15X2BK</b>	<b>USB20X2BK</b>
	Brown	<b>USB15X2</b>	<b>USB20X2</b>
	Gray	<b>USB15X2GY</b>	<b>USB20X2GY</b>
	Ivory	<b>USB15X2I</b>	<b>USB20X2I</b>
	Light Almond	<b>USB15X2LA</b>	<b>USB20X2LA</b>
	White	<b>USB15X2W</b>	<b>USB20X2W</b>
Hospital Grade USB Charger Tamper-Resistant Receptacle, two USB type 2.0 ports, 3.8 Amp, 5 Volt DC, 15 or 20 Amp, 125 Volt AC, Style Line® decorator duplex	Black	<b>USB8200BK</b>	<b>USB8300BK</b>
	Brown	<b>USB8200</b>	<b>USB8300</b>
	Gray	<b>USB8200GY</b>	<b>USB8300GY</b>
	Ivory	<b>USB8200I</b>	<b>USB8300I</b>
	Light Almond	<b>USB8200LA</b>	<b>USB8300LA</b>
	Red	<b>USB8200R</b>	<b>USB8300R</b>
White	<b>USB8200W</b>	<b>USB8300W</b>	



USB15X2W

USB8300W

## SNAPConnect® USB Charger Duplex Receptacles

Description	Color	15A 125V AC	20A 125V AC
SNAPConnect® USB Charger Tamper-Resistant Receptacle, two USB type 2.0 ports, 3.0 Amp, 5 Volt DC, 15 or 20 Amp, 125 Volt AC, Style Line® decorator duplex	Black	<b>SNAP15USB BK</b>	<b>SNAP20USB BK</b>
	Brown	<b>SNAP15USB</b>	<b>SNAP20USB</b>
	Gray	<b>SNAP15USB GY</b>	<b>SNAP20USB GY</b>
	Ivory	<b>SNAP15USB I</b>	<b>SNAP20USB I</b>
	Light Almond	<b>SNAP15USB LA</b>	<b>SNAP20USB LA</b>
	White	<b>SNAP15USB W</b>	<b>SNAP20USB W</b>
Hospital Grade SNAPConnect® USB Charger Tamper-Resistant Receptacle, two USB type 2.0 ports, 3.0 Amp, 5 Volt DC, 15 or 20 Amp, 125 Volt AC, Style Line® decorator duplex	Black	<b>SNAP8200USB BK</b>	<b>SNAP8300USB BK</b>
	Brown	<b>SNAP8200USB</b>	<b>SNAP8300USB</b>
	Gray	<b>SNAP8200USB GY</b>	<b>SNAP8300USB GY</b>
	Ivory	<b>SNAP8200USB I</b>	<b>SNAP8300USB I</b>
	Light Almond	<b>SNAP8200USB LA</b>	<b>SNAP8300USB LA</b>
	Red	<b>SNAP8200USB R</b>	<b>SNAP8300USB R</b>
White	<b>SNAP8200USB W</b>	<b>SNAP8300USB W</b>	
Clear right angle terminal with 6 inch leads #12 AWG THHN/THWN-2; Polycarbonate housing material	Solid Stranded	<b>SNAP1RA</b> <b>SNAP2RA</b>	<b>SNAP1RA</b> <b>SNAP2RA</b>



SNAP15USBW

SNAP8300USBW

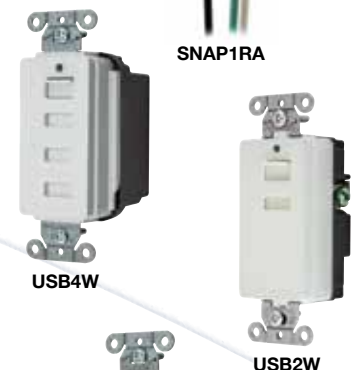


SNAP1RA

## USB Charger Outlets



Description	Color	4 Port, 5 Amp	2 Port, 3 Amp
USB Charger Outlets, USB type 2.0 ports, 5 Volt DC, Style Line® decorator	Black	<b>USB4BK</b>	<b>USB2BK</b>
	Brown	<b>USB4</b>	<b>USB2</b>
	Gray	<b>USB4GY</b>	<b>USB2GY</b>
	Ivory	<b>USB4I</b>	<b>USB2I</b>
	Light Almond	<b>USB4LA</b>	<b>USB2LA</b>
	White	<b>USB4W</b>	<b>USB2W</b>



USB4W

USB2W

## Switch Combo Outlets

Description	Color	Catalog Number
Switch Combo Outlet, two USB type 2.0 ports, 2.1 Amp, 5 Volt DC, Style Line® decorator	Black	<b>USB102BK</b>
	Brown	<b>USB102</b>
	Gray	<b>USB102GY</b>
	Ivory	<b>USB102I</b>
	Light Almond	<b>USB102LA</b>
	White	<b>USB102W</b>



USB102W

## PlugTrak® Raceway with USB Charger Outlets

USB type 2.0 ports, 2.4 Amp, 5 Volt DC, 15 Amp, 125 Volt AC receptacles

Material	Length	Ends	# of USB Ports	# of Single Receptacles	Color	Catalog Number
Steel	3 ft.	6 in. leads	2	2	Ivory	<b>HBL20GB312UIV</b>
Steel	6 ft.	6 in. leads	4	4	Ivory	<b>HBL20GB612UIV</b>
Aluminium	3 ft.	6 in. leads	2	2	Aluminum	<b>HBLALU20GB312U</b>
Aluminium	6 ft.	6 in. leads	4	4	Aluminum	<b>HBLALU20GB612U</b>
Non-metallic	6 ft.	6 in. leads	4	8	Office White	<b>PT156112U</b>
Portable - Plug in						
Steel	40 in.	6 ft. cord and plug	2	4	Ivory	<b>HBL20C215UIV</b>
Non-metallic	36 in.	6 ft. cord and plug	2	4	Office White	<b>PT153112UP</b>



HBL20GB312UIV

HBLALU20GB612U

PT153112UP



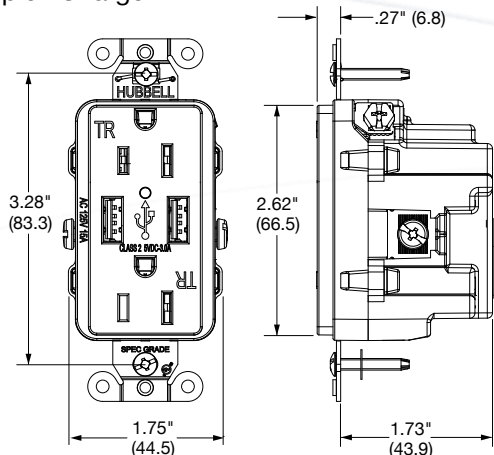
# USB Charger Receptacles, Outlets and Switch Combo

Technical Information

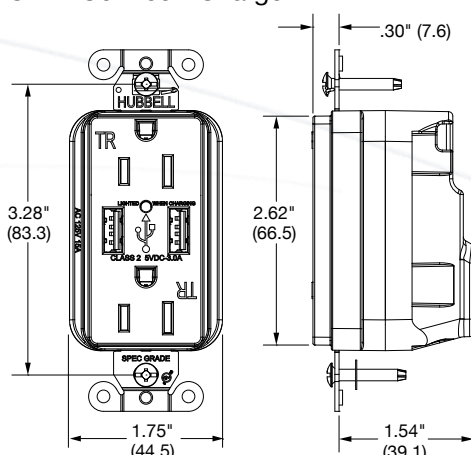
Hubbell's SNAPConnect® USB Charger Duplex Receptacle provides both USB and electrical power in a standard single gang opening to provide more charging options.

## Dimensions Inches (mm)

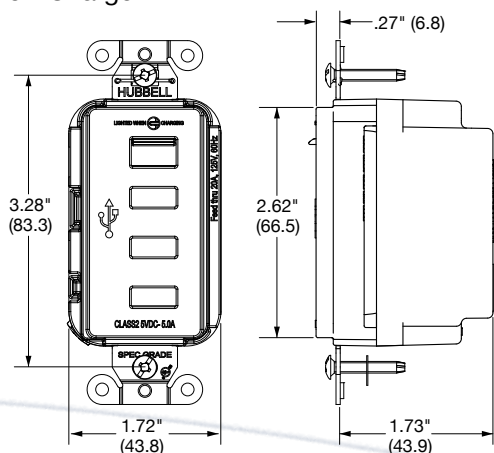
### Duplex Charger



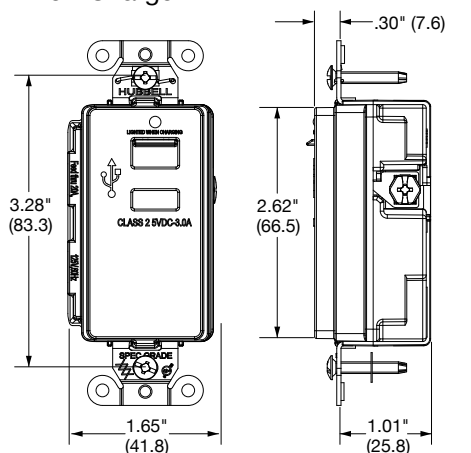
### SNAPConnect® Charger



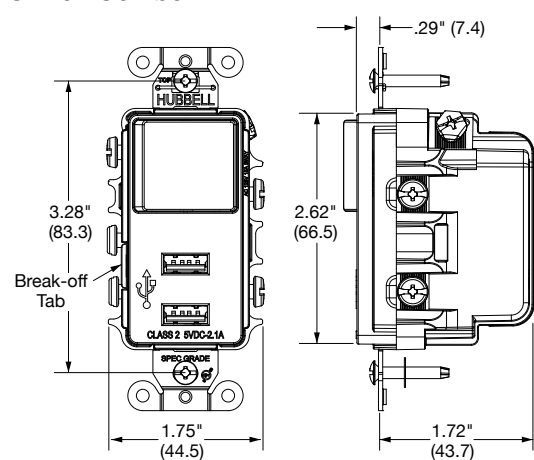
### 4 Port Charger



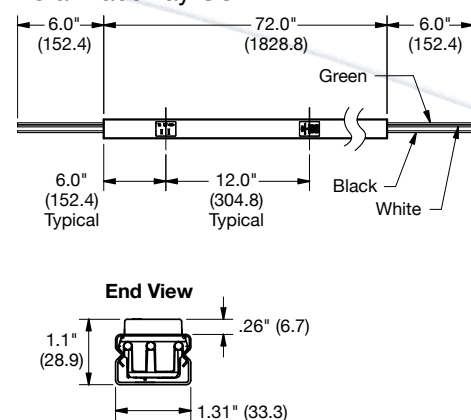
### 2 Port Charger



### Switch Combo



### Metal Raceway USB



## Specifications

- Rating:
  - Duplex USB: 3.8 Amp, 5V DC
  - SNAPConnect®: 3 Amp, 5V DC
  - 4 Port USB: 5 Amp, 5V DC
  - 2 Port USB: 3 Amp, 5V DC
  - Switch Combo: 2.1 Amp, 5V DC
  - Raceway USB: 2.4 Amp, 5V DC
- Input voltage: 125V AC, 60Hz
- Circuit feed-through 20 Amp, 125 Volt
- #14-10 AWG gauge wire terminals (SNAPConnect® duplex optional)
- Dielectric withstand: 1500V AC for 1 minute
- Operating temperature:
  - Maximum continuous 75°C;
  - Minimum -40°C (without impact)
- Meets UL94 for 5V flammability rating
- Complies with battery charging specification BC1.2
- Compatible with USB 1.1/2.0/3.0 devices, including Apple® products
- Complies with Part 15 of the FCC rules

Apple is a registered trademark of Apple Inc.

**HUBBELL®**  
Wiring Device-Kellems

[www.hubbell-wiring.com](http://www.hubbell-wiring.com)

