



Simply Brilliant



High CRI



Dimmable



5 YEAR WARRANTY



ETL LISTED US Intertek



DLC LISTED PREMIUM

Product information

FEATURES

- 4FT 32W 4180LM 120-347v
- High Lumen Efficacy 130LM/w
- DLC, cETL listed
- 0-10v dimmable
- External color selector switch to 3500K/4000K/5000K
- Easy row mounted to 8FT
- 50,000 hour life
- Polycarbonate diffuse (frosted) lens
- Damp location rated
- Quick & easy installation and maintenance
- No tools required to open/close the fixture
- No flicker, mercury free, instant on
- 5-year warranty

APPLICATION

- Hallways
- Walkways
- Storage areas
- Utility rooms
- Common areas

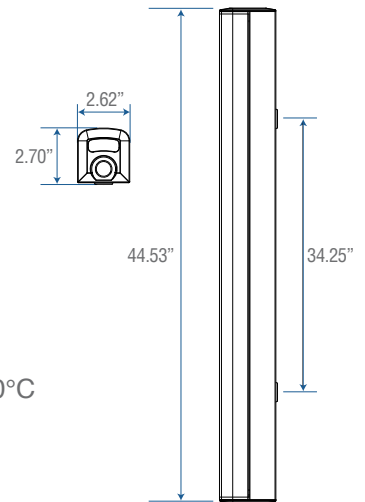
INSTALLATION

- Surface mount
- Ceiling/Cable Mount (optional)

ADDITIONAL INFO

- White housing
- Operating temperature -20°C ~+50°C
- Motion sensor (optional)
- Air craft cable (optional)

DIAGRAM



ORDER CODE	DLC MODEL	DLC ID	DESCRIPTION	WATTS	VOLT	LUMENS	CCT(K)	CRI	THD	MOL (IN)	CASE QTY.
L2420-3200	ILX-VS2-432WDMV3CCT	PLJYZC8CGJDO	4' 32W STRIP FIXTURE 3CCT DIM WH	32	120-347V	4180	3500K	83+	<20%	44.53x2.62x2.70	6
OPTIONAL ACCESSORIES											
L2420-9400	CONNECTOR PLATE FOR ROW MOUNTING										
L2850-0002	60" AIR CRAFT SUSPENSION CABLE / PACK OF TWO (2)										

MODEL EXAMPLE ILX-VS2-432WDMV[A;B;C;Blank]3CCT

ILX	VS2	4	32W	D	MV	YYY	3CCT
Brand	Series	Size	Wattage	Dimmable	Voltage	Optional	CCT
illuminex	VISTA Series II	2=2FT 4=4FT	20W 32W 35W		MV=120-347V Blank=120-277V	Sensor A Sensor B Sensor C Blank= No Sensor [A;B;C;Blank]	3 Co-related Color Temperature Blank=Single Color Temperature

Toronto | Calgary | Halifax

Tel: 1-905-264-6670 Toll Free: 1-844-985-1590 Fax: 1-905-264-6671

Email: csr@illuminexled.com | Website: www.illuminexled.com

Head Office: 1-1 Keyes Court, Vaughan, ON L4H 4V6