

Simply Brilliant



High CRI



Dimmable



## Product information

### FEATURES

- 2x2, 2x4FT 125LM/W Backlit Troffer
- High Lumen Efficacy
- DLC 5.1 Premium, cUL listed (under process)
- Dimmable (0-10V)
- L70 50,000 hour life
- High CRI 80+
- No ballast required
- Polycarbonate diffuser
- Aluminum housing
- Suitable for damp locations
- Quick & easy installation
- Mercury free, instant on
- 5-year warranty

### APPLICATION

- Healthcare
- Offices
- Retail
- Museum
- Hospitality
- Commercial
- Lighting showroom

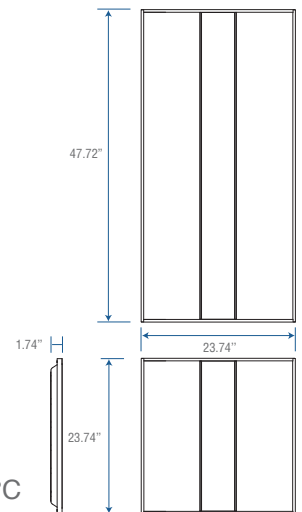
### INSTALLATION

- Recessed
- Suspending

### ADDITIONAL INFO

- White Trim
- Tested Dimmers: Lutron Diva-Dvtv, Leviton IP-710-DL
- Operating Temperature -20°C ~+40°C

### DIAGRAM



ITEM NO.	MODEL NO.	DESCRIPTION	WATTS	VOLT	LUMENS	CCT(K)	BEAM ANGLE	IP	PF	MOL (IN)	CASE QTY.
L2985-3250-BX2	ILX-BLT22-35W-MV-3CCT	BACKLIT TROFFER 2X2 35WS 3CCT MV 125L/W	25W		2750	3500K					
			30W	120-347V	3300	4000K	110°	20	0.9	23.74x23.74x1.74	2
			35W		3850	5000K					
L2985-3360-BX2	ILX-BLT24-50W-MV-3CCT	BACKLIT TROFFER 2X4 50WS 3CCT MV 125L/W	30W		3300	3500K					
			40W	120-347V	4400	4000K	110°	20	0.9	47.72x23.74x1.74	2
			50W		5500	5000K					

### MODEL EXAMPLE

ILX	BLT	24	50WS	MV	3CCT
Brand	Product Type	Size	Wattage	Voltage	CCT
illuminex	Backlit Troffer Series	1=1FT 2=2FT 4=4FT	Selectable 25/30/35W 30/40/50W	MV=120-347V Multi-Volt	Color Changeable 3500K/4000K/5000K

ILLUMINEX TECHNOLOGIES INC.

Tel: 1-905-264-6670 Toll Free: 1-844-985-1590 Fax: 1-905-264-6671

Email: [csr@illuminexled.com](mailto:csr@illuminexled.com) | Website: [www.illuminexled.com](http://www.illuminexled.com)

Head Office: 1-1 Keyes Court, Vaughan, ON L4H 4V6