



The first slim gimbal with air-tight housing!



Tilt



High CRI



Dimmable



Product information

FEATURES

- 4" 9W 810lm 20° Tilt
- Type IC rated (direct contact with insulation)
- Energy Star, cETLus listed
- Triac Dimmable
- 50,000 hour life
- 9W replaces 80W halogen
- Acrylic PMMA light guide
- Air-tight aluminum housing
- Suitable for damp locations
- Quick & easy installation
- No flicker, mercury free, instant on
- 5-year warranty

APPLICATION

- Offices
- Retail
- Museum
- Hospitality
- Commercial
- Lighting showroom

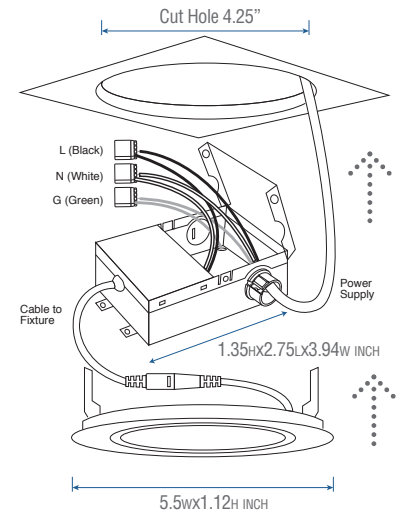
INSTALLATION

- Recessed
- Insulated/drop ceilings
- Fits under studs and in narrow plenums

ADDITIONAL INFO

- White Finish
- Operating Temperature -10°C ~+40°C

DIAGRAM



ORDER CODE	ENERGY STAR LISTING CODE	DESCRIPTION	WATTS	VOLT	LUMENS	CCT(K)	LIFE HRS	BEAM ANGLE	CRI	IP	PF	MOL (IN)	MOUNT SIZE (IN)	CASE QTY.
L3404-5111	ILXSP-9X-ETL(3000K/H)	SLIM GIMBAL 4"R 9W 3K 810L WH cE	9	120 V	810	3000	50,000	180°	80+	44	0.98	5.5	4.25	40
L3404-5131	ILXSP-9X-ETL(4000K/H)	SLIM GIMBAL 4"R 9W 4K 810L WH cE	9	120 V	810	4000	50,000	180°	80+	44	0.98	5.5	4.25	40
L3404-5151	ILXSP-9X-ETL(5000K/H)	SLIM GIMBAL 4"R 9W 5K 810L WH cE	9	120 V	810	5000	50,000	180°	80+	44	0.98	5.5	4.25	40
L3404-5171	Non-Energy Star	SLIM GIMBAL 4"R 9W 6K 810L WH cE	9	120 V	810	6000	50,000	180°	80+	44	0.98	5.5	4.25	40

Exclusive Master Agent



Toronto | Calgary | Halifax

Tel: 1-905-264-1125 Toll Free: 1-800-361-7820 Fax: 1-905-264-1175

Email: information@interadwes.com | Website: www.interadwes.com

Head Office: 1-180 New Huntington Road, Vaughan, ON L4H 0P5