



### The freedom of Color Changing Temperature (CCT)!

Selectable Color Temperatures of 2700K/3000K/3500K/4000K/5000K



## Product information

### FEATURES

- 4" 9W 900lm 36° beam
- Selectable color temperatures of 27000K/3000K/3500K/4000K/5000K
- Fire rated 2H FT4 cable
- Suitable for wet locations
- Energy Star, cETLus listed
- 360° Rotation
- Type IC rated (direct contact with insulation)
- Less than 0.1% defective rate
- Triac Dimmable
- COB Type LED
- 54,000 hour life
- Quick & easy installation
- No flicker, mercury free, instant on
- 5-year warranty

### APPLICATION

- Offices
- Retail
- Museum
- Hospitality
- Commercial
- Lighting showroom

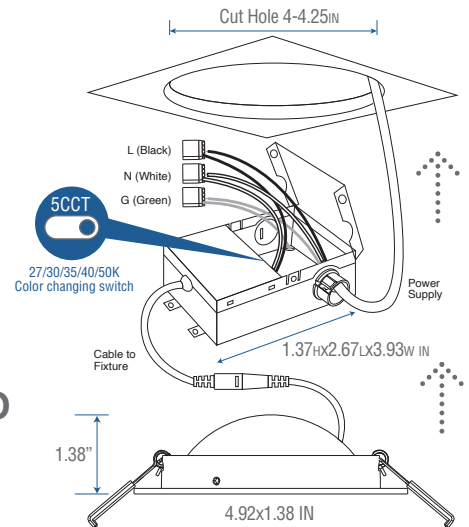
### INSTALLATION

- Recessed
- Insulated/drop ceilings
- Fits under studs and in narrow plenums

### ADDITIONAL INFO

- White Finish
- Operating Temperature -10°C ~+40°C

### DIAGRAM



ORDER CODE	DESCRIPTION	WATTS	VOLT	LUMENS	CCT(K)	LIFE HRS	BEAM ANGLE	IP	CRI	PF	CASE QTY.
L3404-5300	SLIM GIMBAL 4"R 9W 5CCT COLOR TUNEABLE 900L WHITE	9	120 V	900	2700K	54,000	36°	54	80+	0.98	40
	3000K										
	3500K										
	4000K										
	5000K										
L3404-5310	SLIM GIMBAL 4"R 9W 5CCT COLOR TUNEABLE 900L BLACK										

ES ID: TBA MODEL: ILX-SG34-9W-5CCT-WF