

The first slim panel with a 1/4" recess!



High CRI



Dimmable



Intertek



ENERGY STAR

### Product information

#### FEATURES

- 4" 9W 810lm
- **Type IC rated** (direct contact with insulation)
- **Energy Star, cETLus listed**
- Dimmable
- Less than 0.1% defective rate
- 50,000 hour life
- 9W replaces 80W halogen
- Acrylic PMMA light guide
- Air-tight aluminum housing
- Suitable for damp locations
- Quick & easy installation
- No flicker, mercury free, instant on
- 5-year warranty

#### APPLICATION

- Offices
- Retail
- Museum
- Hospitality
- Commercial
- Lighting showroom

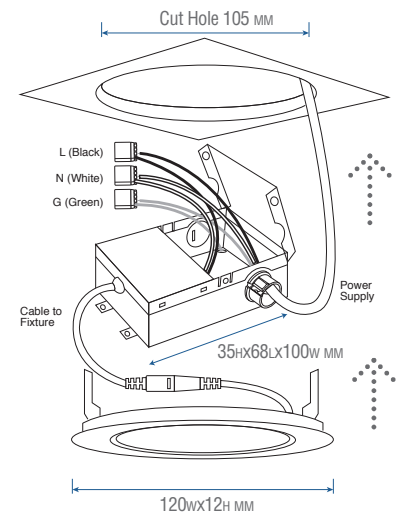
#### INSTALLATION

- Recessed
- Insulated/drop ceilings
- Fits under studs and in narrow plenums

#### ADDITIONAL INFO

- White Finish
- Operating Temperature -10°C ~+40°C

#### DIAGRAM



ORDER CODE	ENERGY STAR LISTING CODE	DESCRIPTION	WATTS	VOLT	LUMENS	CCT(K)	LIFE HRS	BEAM ANGLE	CRI	IP	PF	MOL (MM)	MOUNT SIZE	CASE QTY.
L3504-5111	ILXSP-9X-ETL(3000K/H)	ILLX SLMP 4"R 9W 3K 810L WH cE	9	120 V	810	3000	50,000	180°	80+	44	0.98	120	105	40
L3504-5131	ILXSP-9X-ETL(4000K/H)	ILLX SLMP 4"R 9W 4K 810L WH cE	9	120 V	810	4000	50,000	180°	80+	44	0.98	120	105	40
L3504-5151	ILXSP-9X-ETL(5000K/H)	ILLX SLMP 4"R 9W 5K 810L WH cE	9	120 V	810	5000	50,000	180°	80+	44	0.98	120	105	40
L3504-5171	-	ILLX SLMP 4"R 9W 6K 810L WH cE	9	120 V	810	6000	50,000	180°	80+	44	0.98	120	105	40

Exclusive National Distributor



Toronto | Calgary | Halifax

Tel: 1-905-264-1125 Toll Free: 1-800-361-7820 Fax: 1-905-264-1175

Email: [information@interadwes.com](mailto:information@interadwes.com) | Website: [www.interadwes.com](http://www.interadwes.com)

Head Office: 1-180 New Huntington Road, Vaughan, ON L4H 0P5