



Simply Brilliant



Product information

FEATURES

- 15w 1800LM, 30w 3600LM, 50w 5500LM
- DLC, cUL listed
- 60,000 hour life (L70@25°C)
- 120LmW High Lumens Efficacy
- NEMA 6x5 distribution
- Die cast aluminum housing
- Integrated thermal management
- Suitable for wet locations
- Rated for IP65
- Quick & easy installation
- No flicker, mercury free, instant on
- 5-year warranty

APPLICATION

- Advertising signage
- Entrances and Walkways
- Buildings
- Pathway & Perimeter Lighting
- Commercial
- Playground

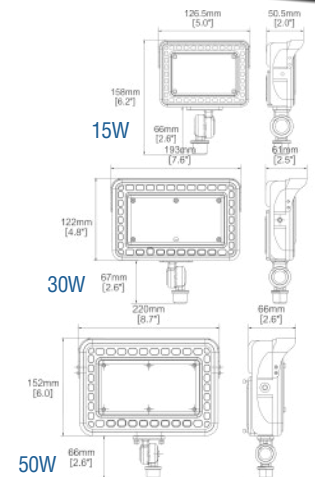
INSTALLATION

- Knuckle mount
- 15cm cable included

ADDITIONAL INFO

- Dark Bronze Finish
- Operating Temp. -40°C ~+45°C
- Optional: Photocell Sensor

DIAGRAM



ORDER CODE	DLC ID	DESCRIPTION	WATTS	VOLT	LUMENS	CCT(K)	BEAM ANGLE	PF	MOL (IN)	CASE QTY.
L6321-2130	PJOS8L8J	LED FLOOD 15W 120V KNUCKLE MT.	15W	100-277V	1800	4000K	120°	0.95	5.79x5.79x2.56	28
L6321-2150	PR3IDX8F	LED FLOOD 15W 120V KNUCKLE MT.	15W	100-277V	1800	5000K	120°	0.95	5.79x5.79x2.56	28
L6321-2230	PSBDQ7UU	LED FLOOD 30W 120V KNUCKLE MT.	30W	100-277V	3600	4000K	120°	0.95	8.27x6.81x2.99	20
L6321-2250	PPMIRU0A	LED FLOOD 30W 120V KNUCKLE MT.	30W	100-277V	3600	5000K	120°	0.95	8.27x6.81x2.99	20
L6321-2330	PYQQCBZ2	LED FLOOD 50W 120V KNUCKLE MT.	50W	100-277V	5500	4000K	120°	0.95	22.44x10.04x16.14	14
L6321-2350	PY2YOPUF	LED FLOOD 50W 120V KNUCKLE MT.	50W	100-277V	5500	5000K	120°	0.95	22.44x10.04x16.14	14