

TL1601

Description

Line voltage gimbal style track head cylinder for use with Par-38 bulbs.

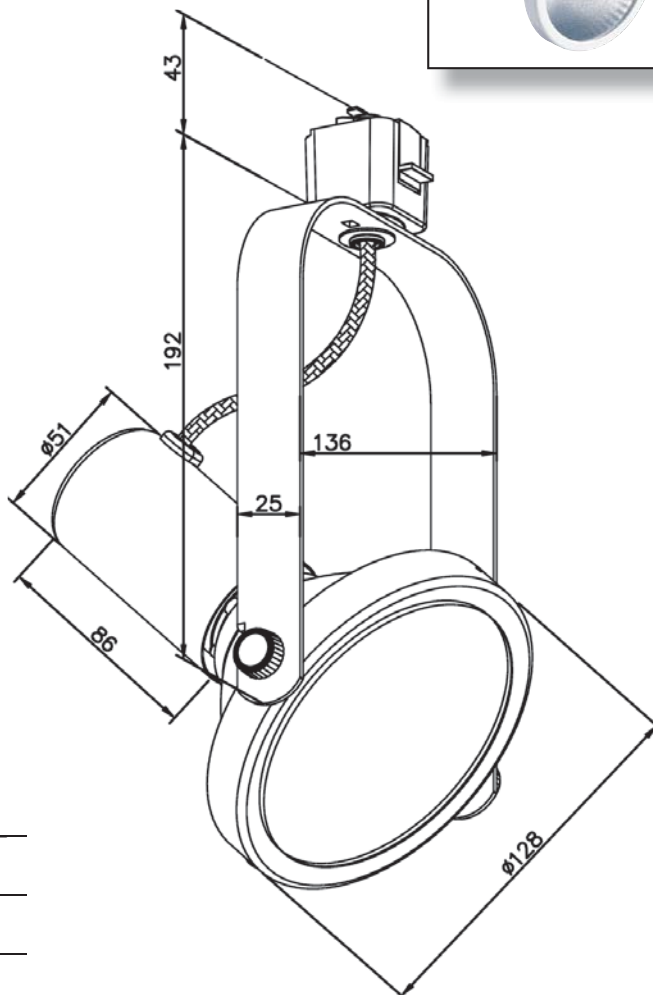
- Directional light source providing 105° vertical aiming capability with 330° horizontal rotation
- Locking knobs provided
- Gimbal diameter: 5"
- OAH: 10"
- Dimmer compatible
- 120V AC E26 Med. base socket
- LED compatible



<u>Available Finishes</u>	<u>Model #</u>
Black	TL1601-BIK
Brushed Steel	TL1601-BST
White	TL1601-WH

Lamp:

Par38 150W (max.) - *Not Include d*
 120V AC 60Hz



Project: _____

Fixture Type: _____

Location: _____

Contact/ Phone: _____